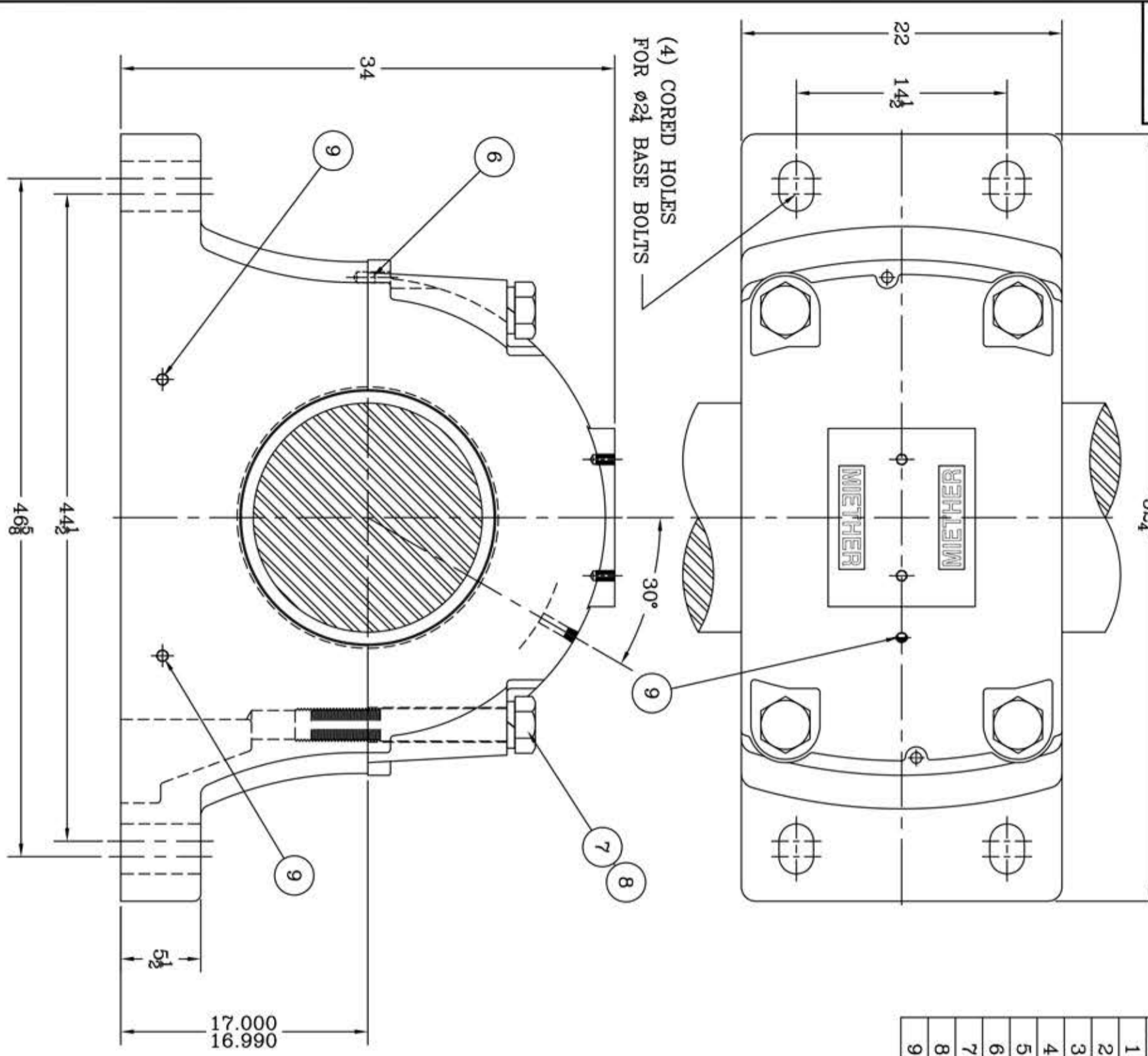


This drawing is the sole property of Miether Bearing Products and contains confidential and proprietary information. It is being provided to you for your use and may not be disclosed to any third party or used for any other purpose without Miether's prior written consent. The [materials] must be returned to the Company upon its demand. Your acceptance of these materials constitutes your acceptance of the foregoing terms.

C-35303

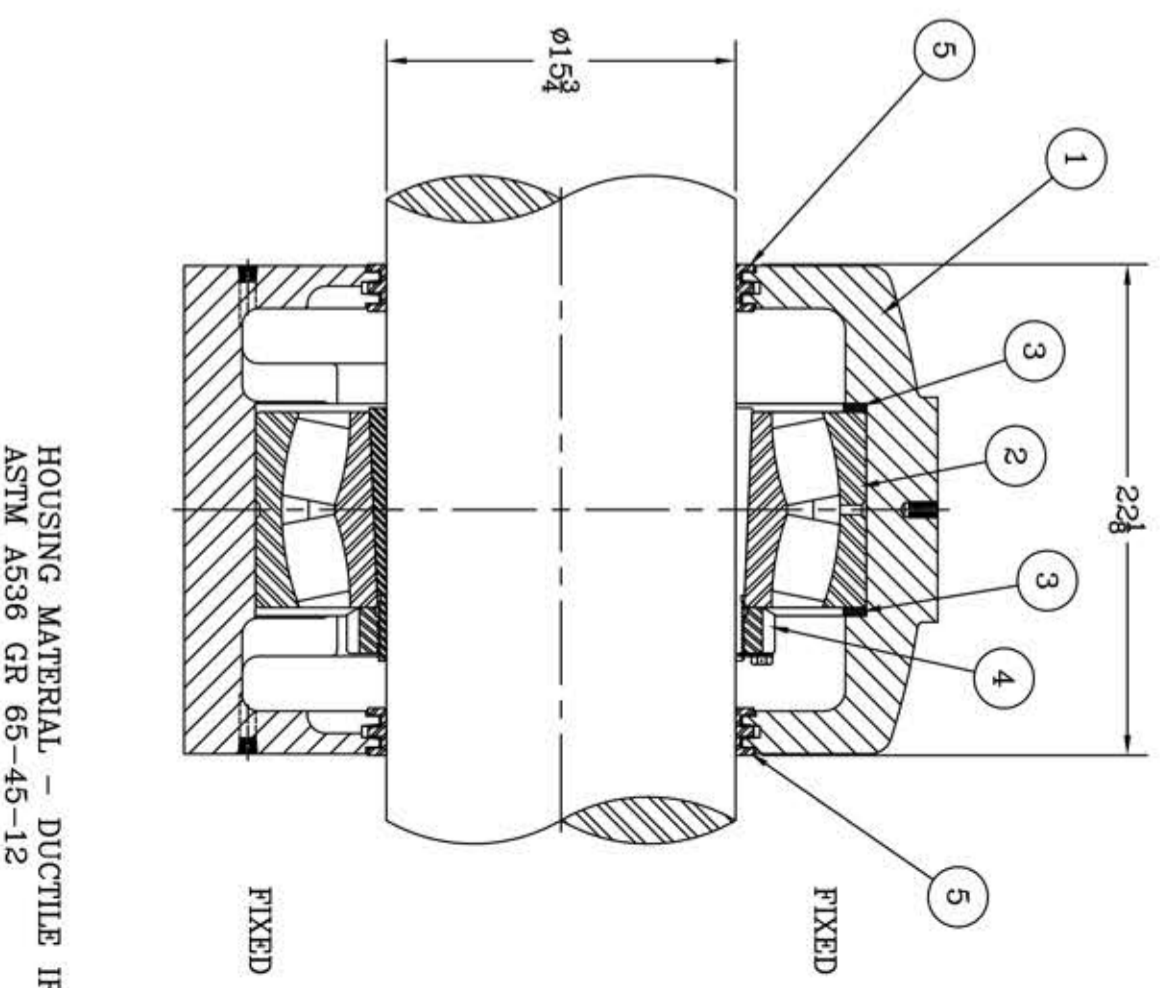


ITEM DESCRIPTION

DETAIL

REQUIRED P.D. P.L.T.

ITEM	DESCRIPTION	DETAIL	REQUIRED P.D.	P.L.T.
1	HOUSING SDAFD 3184 K 15-12	C-	1	1
2	SPHERICAL ROLLER BEARING 23184K/W-33		1	1
3	STABILIZING RING A-8984	A-19610	2	0
4	ADAPTER SNP 3184 15-12		1	1
5	TRIPLE SEAL RING ER-914	A-20561	2	2
6	DOWEL 3/4 x 1" LONG		2	2
7	CAP BOLT HEX. HEAD GR.5 2 1/4-4 1/2 NC x 14" LONG		4	4
8	LOCKWASHER 2 1/4 SPLIT MED.		4	4
9	PIPE PLUG 1/2-14 NPT		5	5



HOUSING MATERIAL - DUCTILE IRON
ASTM A536 GR 65-45-12

REVISIONS

SYMBOL	DESCRIPTION	MICRO-INCH VALUE
C	✓	16
D	✓	32
E	✓	63
F	✓	125
G	✓	250
J	✓	500
K	✓	1000

TOLERANCE: UNLESS OTHERWISE SPECIFIED
FRACTIONS ± 1/32" ANGLES ± 0° 30'
DECIMALS ± .005" WELD ± 1/16"
CASTING ± 1/16"

A.I.S.I. STANDARD FINISHES



SDAFD 23184 K 15-12	ASSEMBLY NO.
ASSEMBLY DRAWING	
SCALE 1 = 6	ASSEMBLY NO.
DRAWN PCF	DRAWING NO.
DATE 1/9/13	CHEK.
CHK.	C-35303