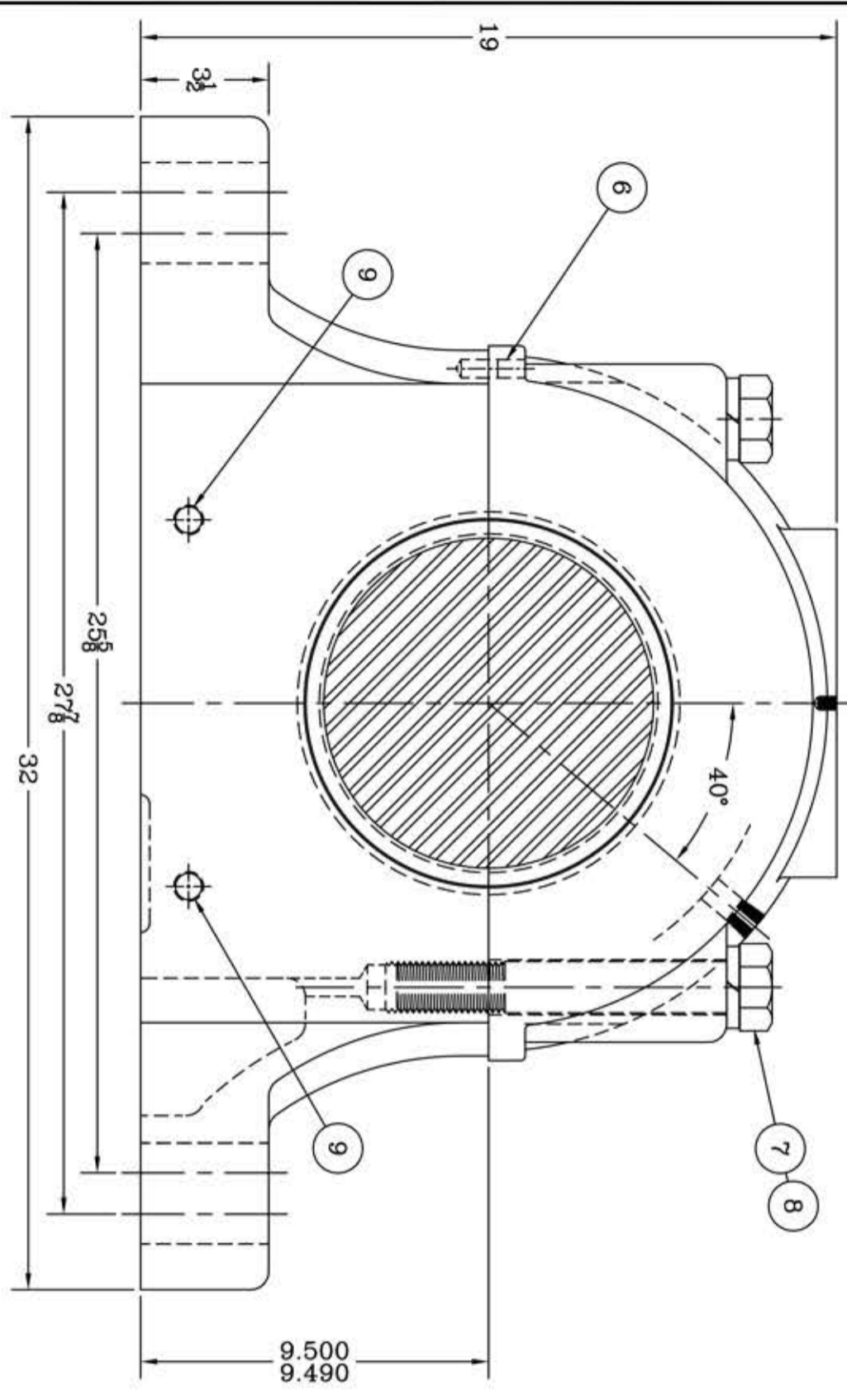
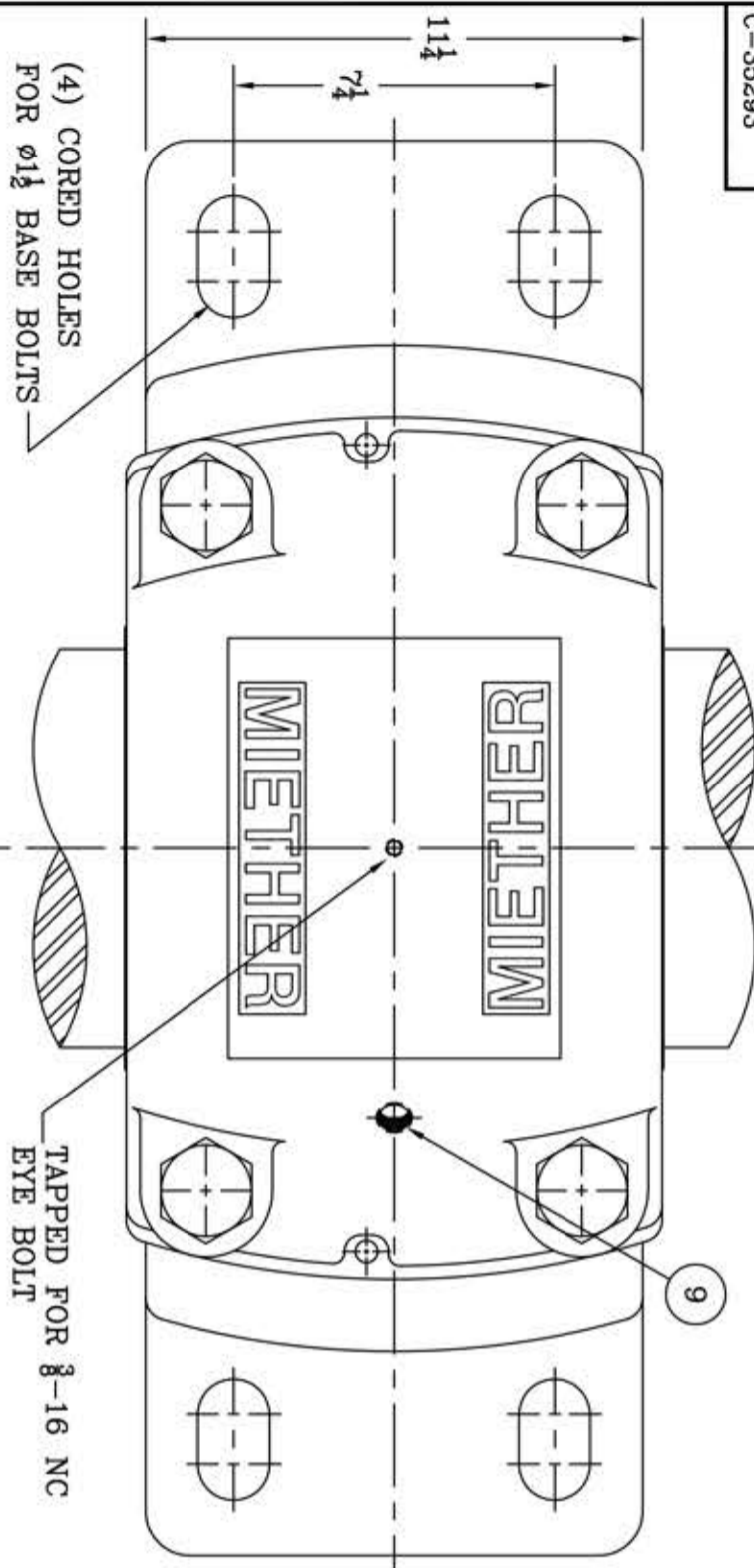
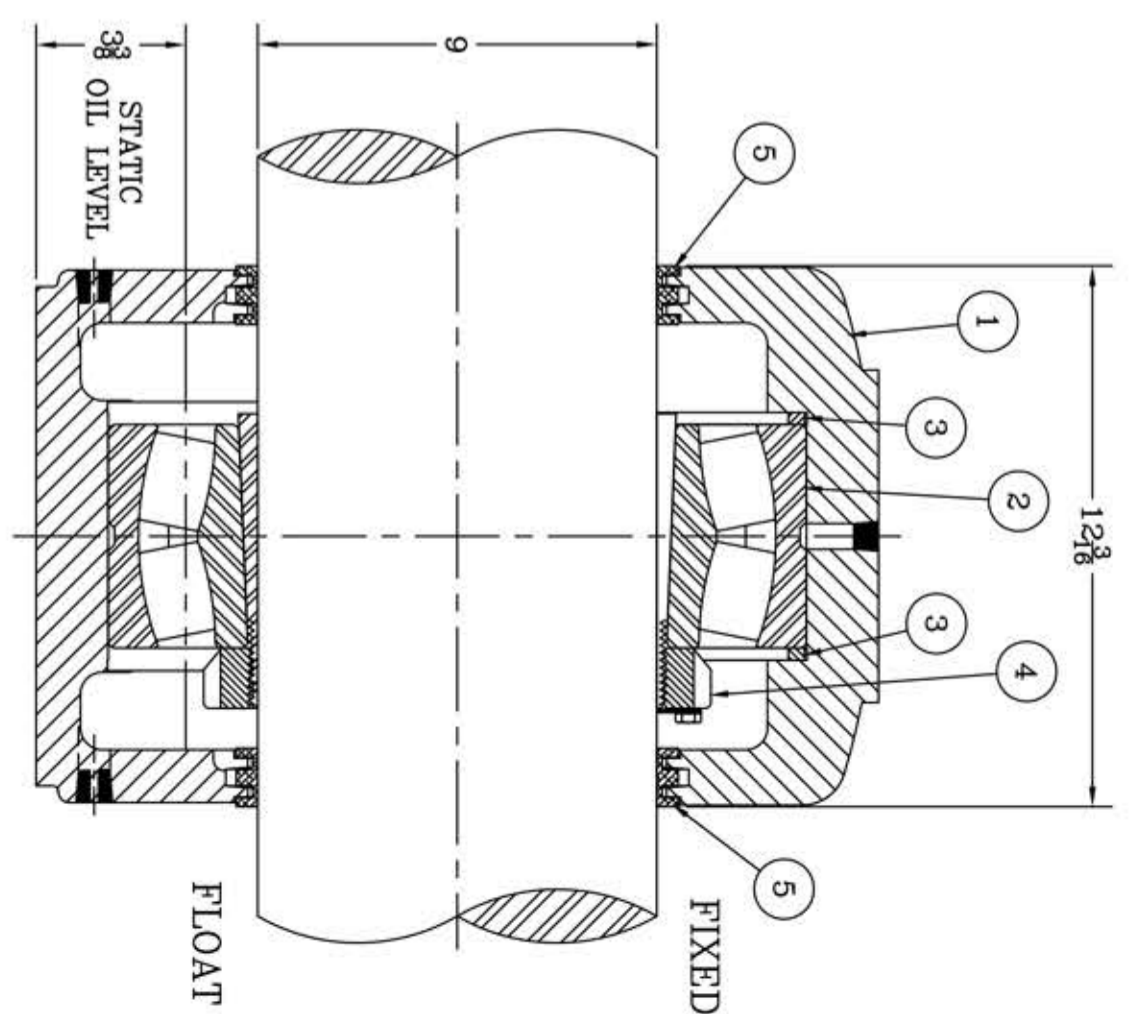


This drawing is the sole property of Miether Bearing Products and contains confidential and proprietary information. It is being provided to you for your use and may not be disclosed to any third party or used for any other purpose without Miether's prior written consent. The [materials] must be returned to the Company upon its demand. Your acceptance of these materials constitutes your acceptance of the foregoing terms.

C-35293



ITEM	DESCRIPTION	DETAIL	REQUIRED
1	HOUSING SDAFD-3148 K x 9	C-	1 1
2	SPHERICAL ROLLER BEARING	23148K/W 33	1 1
3	STABILIZING RING SR-A-8898	A-15856	2 0
4	ADAPTER SNP 3148 x 9	24293	1 1
5	TRIPLE SEAL RING ER-702	A-13404	2 2
6	DOWEL	$\phi 2$ x 1 LONG	2 2
7	CAP BOLT HEX. HEAD GR.5	$1\frac{1}{8}$ -6 NC x 9 LONG	4 4
8	LOCKWASHER	$1\frac{1}{8}$ SPLIT MED.	4 4
9	PIPE PLUG	$\frac{1}{2}$ -14 NPT	5 5



HOUSING MATERIAL - DUCTILE IRON
ASTM A536 GR 65-45-12

REVISIONS

TOLERANCE: UNLESS OTHERWISE SPECIFIED

FRACTIONS $\pm 1/32$ " ANGLES $\pm 0^\circ 30'$

DECIMALS $\pm .005$ " WELD $\pm 1/16$ "

CASTING $\pm 1/16$ "

A.I.S.I. STANDARD FINISHES

SYMBOL	FINISH	VALUE
C	16	32
D	63	125
E	125	250
F	250	500
G	500	1000

AN ALCO INDUSTRIES COMPANY
BEARING PRODUCTS
ODESSA, TX. USA

SDAFD 23148 K 09-00
ASSEMBLY DRAWING

SCALE 1 = 3
DRAWN PCF
DATE 1/9/13
CHK:

ASSEMBLY NO.
DRAWING NO. C-35293