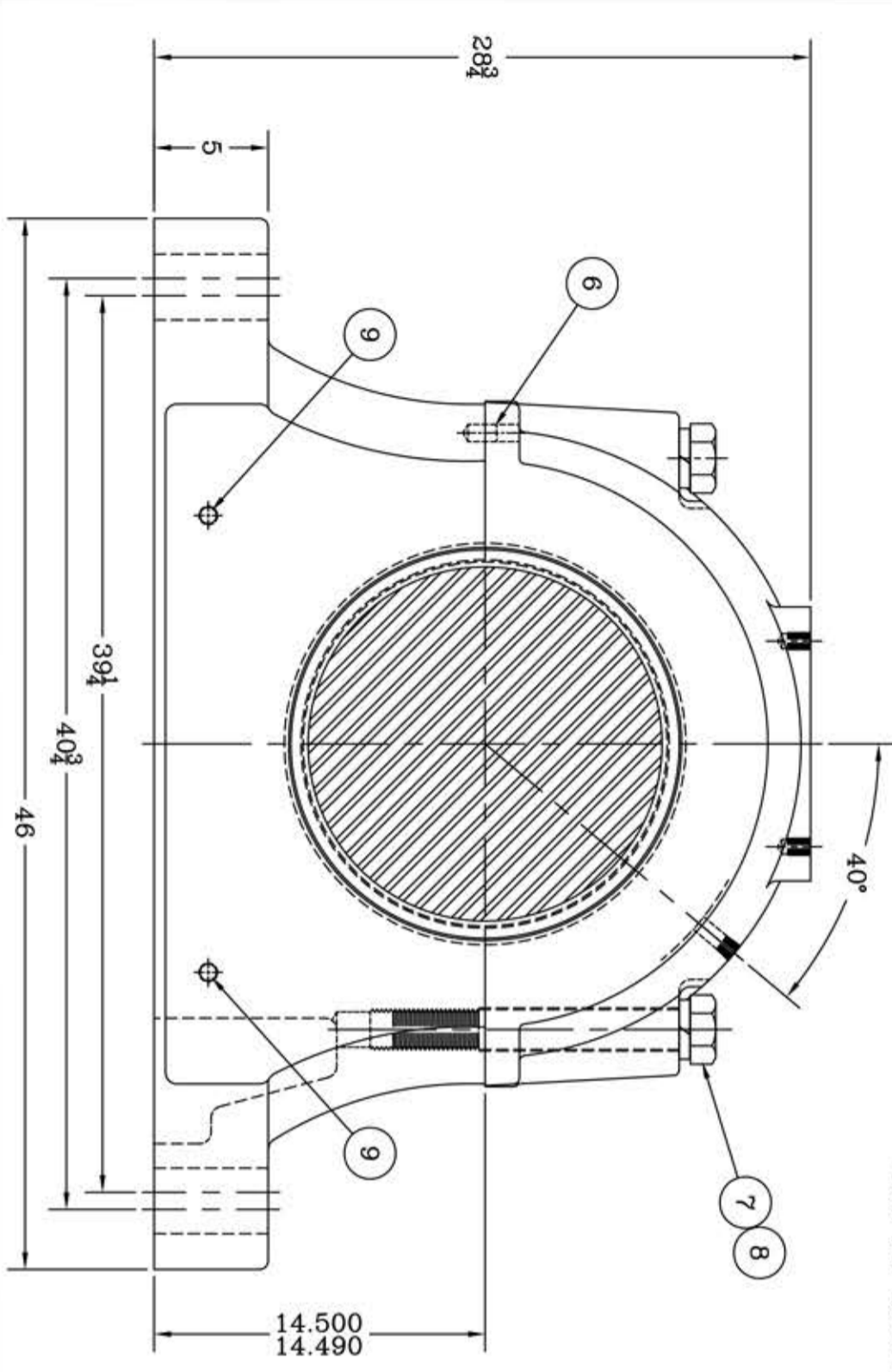
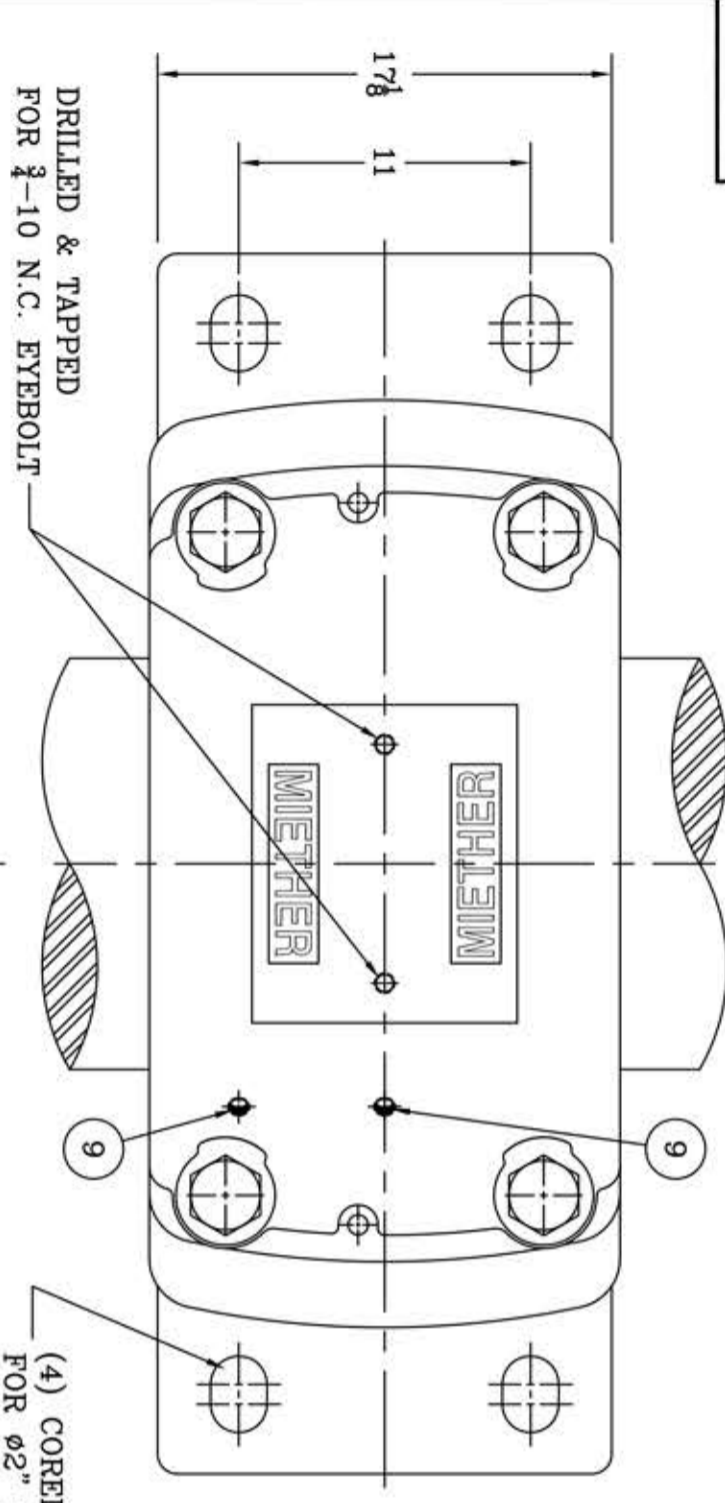
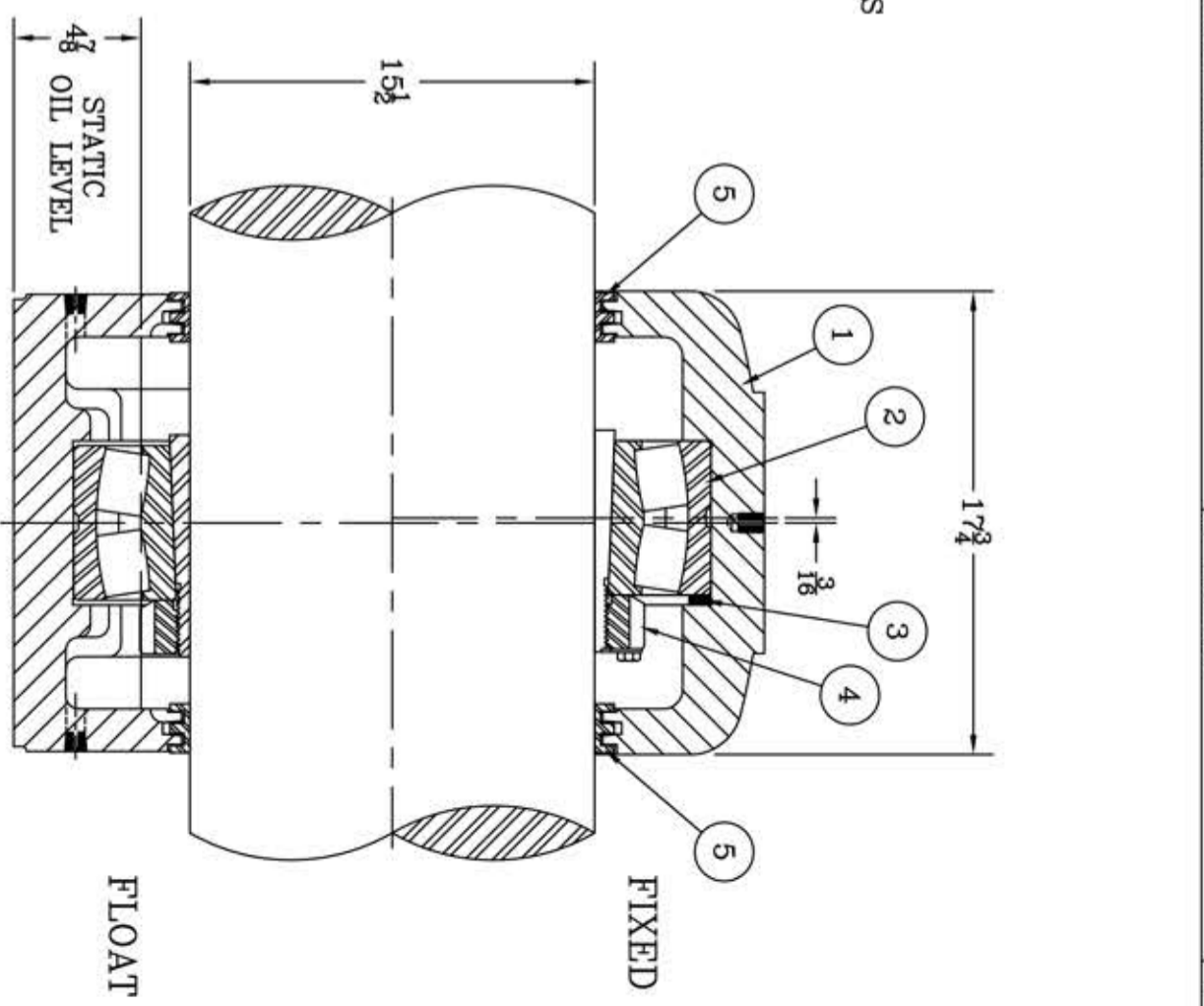


This drawing is the sole property of Miether Bearing Products and contains confidential and proprietary information. It is being provided to you for your use and may not be disclosed to any third party or used for any other purpose without Miether's prior written consent. The [materials] must be returned to the Company upon its demand. Your acceptance of these materials constitutes your acceptance of the foregoing terms.

C-20706



ITEM	DESCRIPTION	DETAIL	REQUIRED
1	HOUSING SDAFD 084 15-08	C-28665	1 1
2	SPHERICAL ROLLER BEARING	23084K/W33	1 1
3	STABILIZING RING A8973	A-20552	1 0
4	ADAPTER SNP-3084	29803	1 1
5	TRIPLE SEAL RING ER-886	A-16274	2 2
6	DOWEL	Ø 3/4 x 1 1/4 LONG	2 2
7	CAP BOLT HEX HEAD	1 1/2-5 NC x 13" LONG	4 4
8	LOCKWASHER	1 1/2 SPLIT MED.	4 4
9	PIPE PLUG	1/2-14 NPT	6 6



REVISIONS

SYMBOL	DESCRIPTION	DATE	BY
✓C	16	32	63
✓D	32	63	125
✓E	63	125	250
✓F	125	250	500
✓G	250	500	1000
✓J	500	1000	
✓K	1000		

TOLERANCE: UNLESS OTHERWISE SPECIFIED  
 FRACTIONS ± 1/32" ANGLES ± 0° 30'  
 DECIMALS ± .005 WELD ± 1/16"  
 CASTING ± 1/16"

A.I.S.I. STANDARD FINISHES

AN ALCO INDUSTRIES COMPANY  
 BEARING PRODUCTS  
 ODESSA, TX. USA

SDAFD 23084 K 15-08  
 ASSEMBLY DRAWING

SCALE 1 = 5  
 DRAWN OMI  
 DATE 5/14/90  
 CHECK:

ASSEMBLY NO.  
 DRAWING NO. C-20706