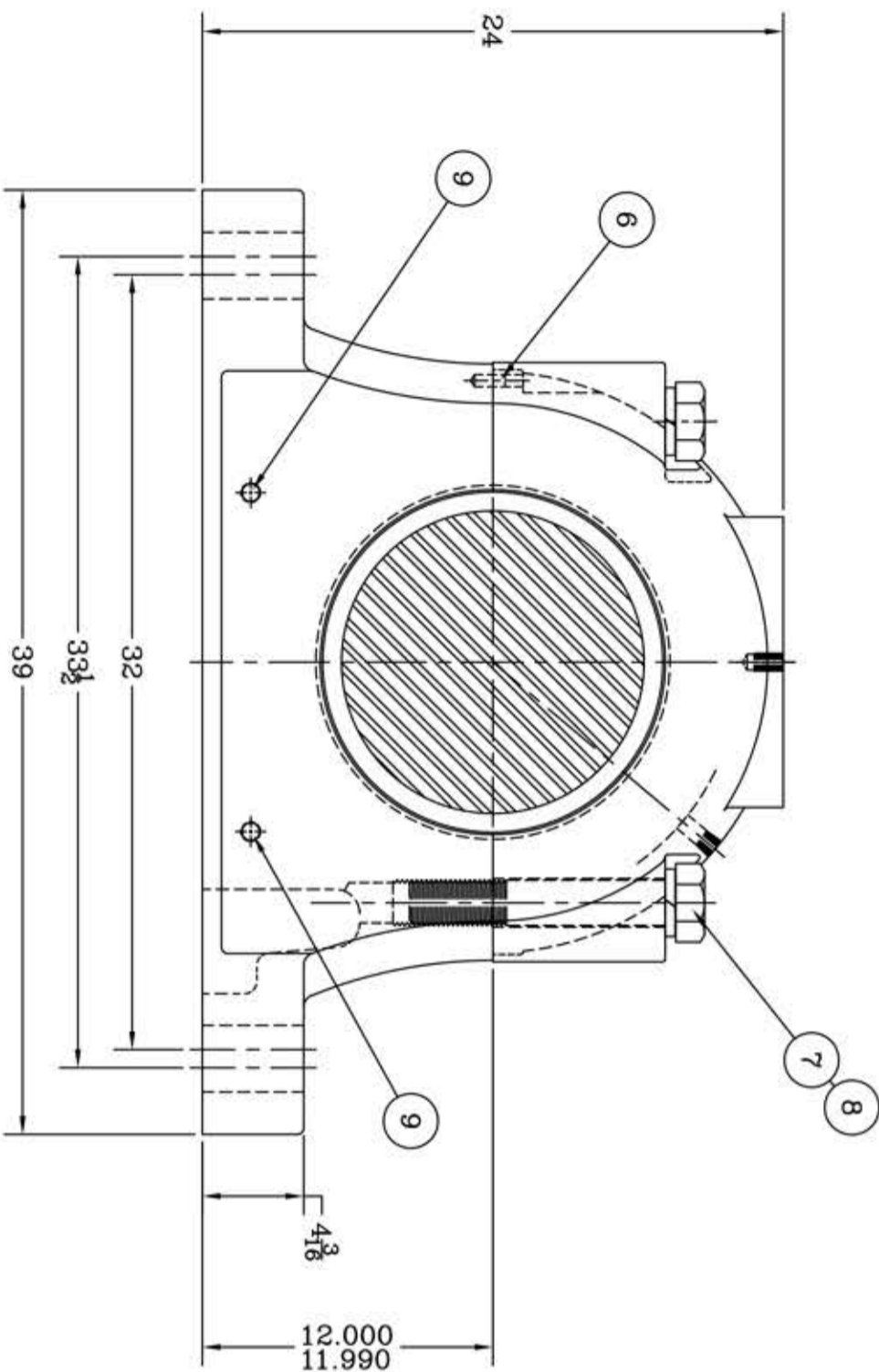
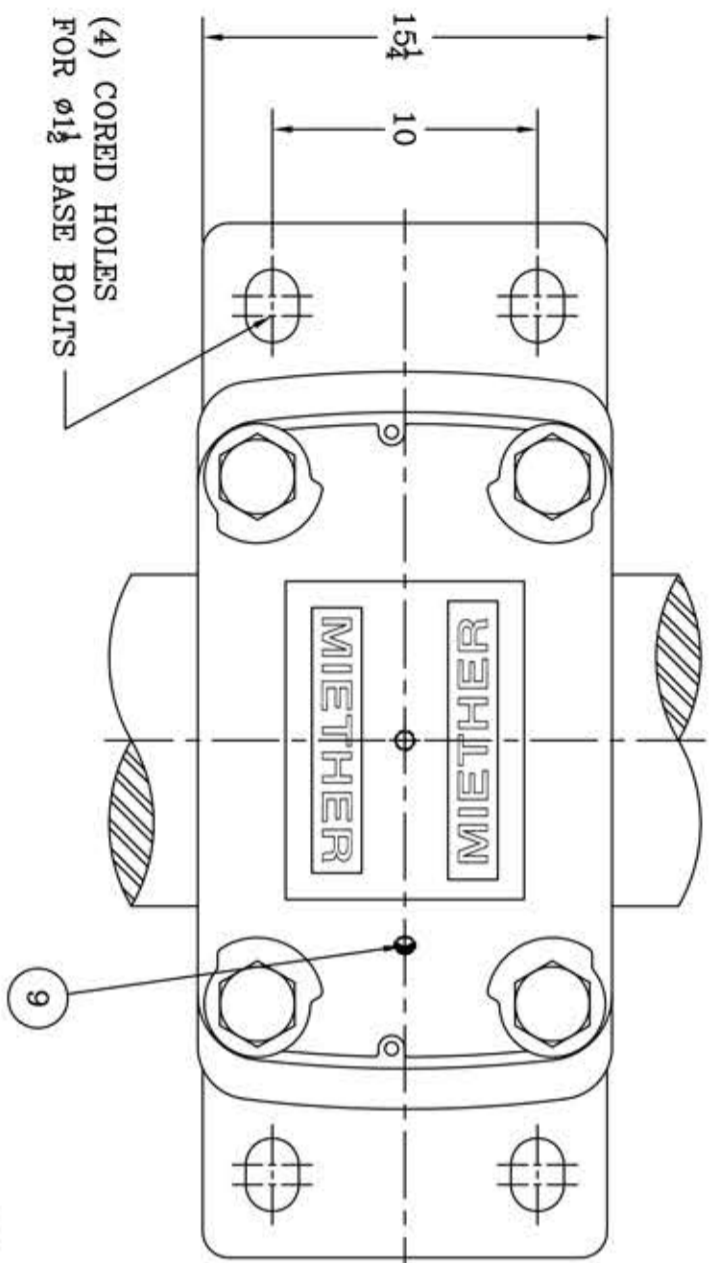
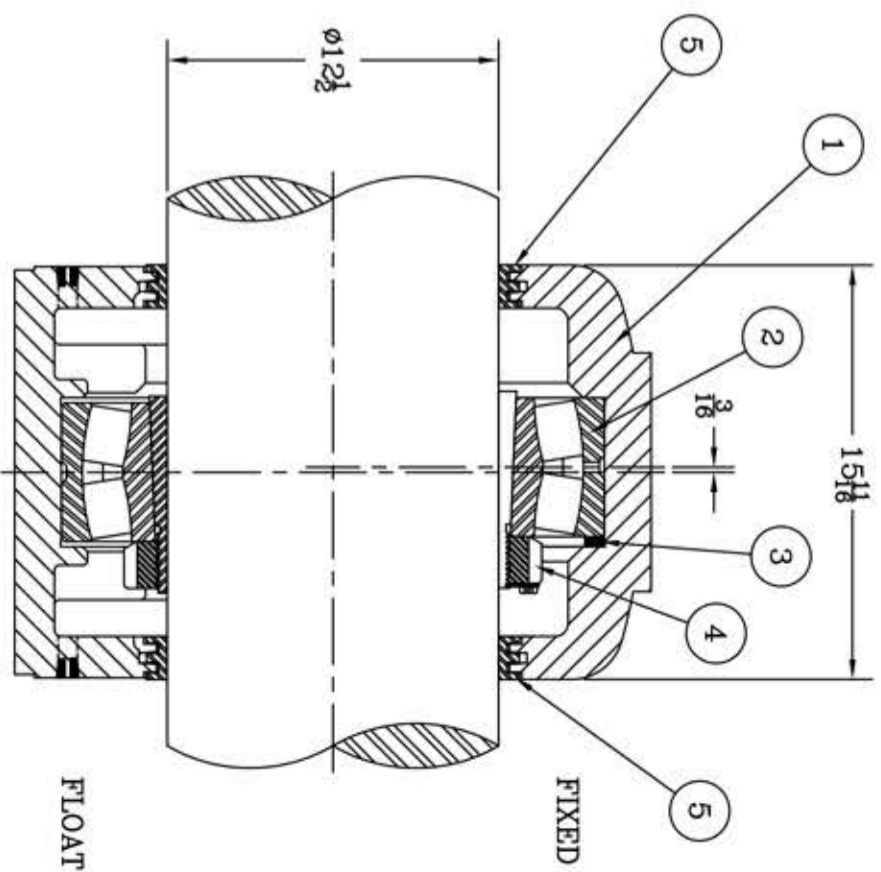


This drawing is the sole property of Miether Bearing Products and contains confidential and proprietary information. It is being provided to you for your use and may not be disclosed to any third party or used for any other purpose without Miether's prior written consent. The [materials] must be returned to the Company upon its demand. Your acceptance of these materials constitutes your acceptance of the foregoing terms.

C-35222



ITEM	DESCRIPTION	DETAIL	REQUIRED
1	HOUSING SDAFDD 068 K 12-08	C-	1 1
2	SPHERICAL ROLLER BEARING	23068 K/W33	1 1
3	STABILIZING RING	A-8969	1 0
4	ADAPTER	SNP-3068 12-08	1 1
5	TRIPLE SEAL RING	ER-866	2 2
6	DOWEL	A-11299	2 2
7	CAP BOLT HEX. HEAD GR.5	$\phi 2$ X 1" LG	4 4
8	LOCKWASHER	$1\frac{1}{2}$ -5 NC X 11" LONG	4 4
9	PIPE PLUG	$1\frac{1}{2}$ SPLIT MED.	4 4
		$\frac{1}{2}$ -14 NPT	5 5



REVISIONS

SYMBOL	DESCRIPTION	DATE	BY
C	...	16	...
D	...	32	...
E	...	63	...
F	...	125	...
G	...	250	...
J	...	500	...
K	...	1000	...

TOLERANCE: UNLESS OTHERWISE SPECIFIED
 FRACTIONS $\pm 1/32$ " ANGLES $\pm 0^\circ 30'$
 DECIMALS $\pm .005$ WELD $\pm 1/16$ "
 CASTING $\pm 1/16$ "

A.I.S.I. STANDARD FINISHES

SYMBOL	FINISH
C	...
D	...
E	...
F	...
G	...
J	...
K	...

AN ALCO INDUSTRIES COMPANY
 BEARING PRODUCTS
 ODESSA, TX. USA

SDAFDD 23068 K 12-08
 ASSEMBLY DRAWING
 SCALE 1 = 5
 DRAWN PCF
 DATE 1/2/13
 ASSEMBLY NO.
 DRAWING NO. C-35222
 CHK: