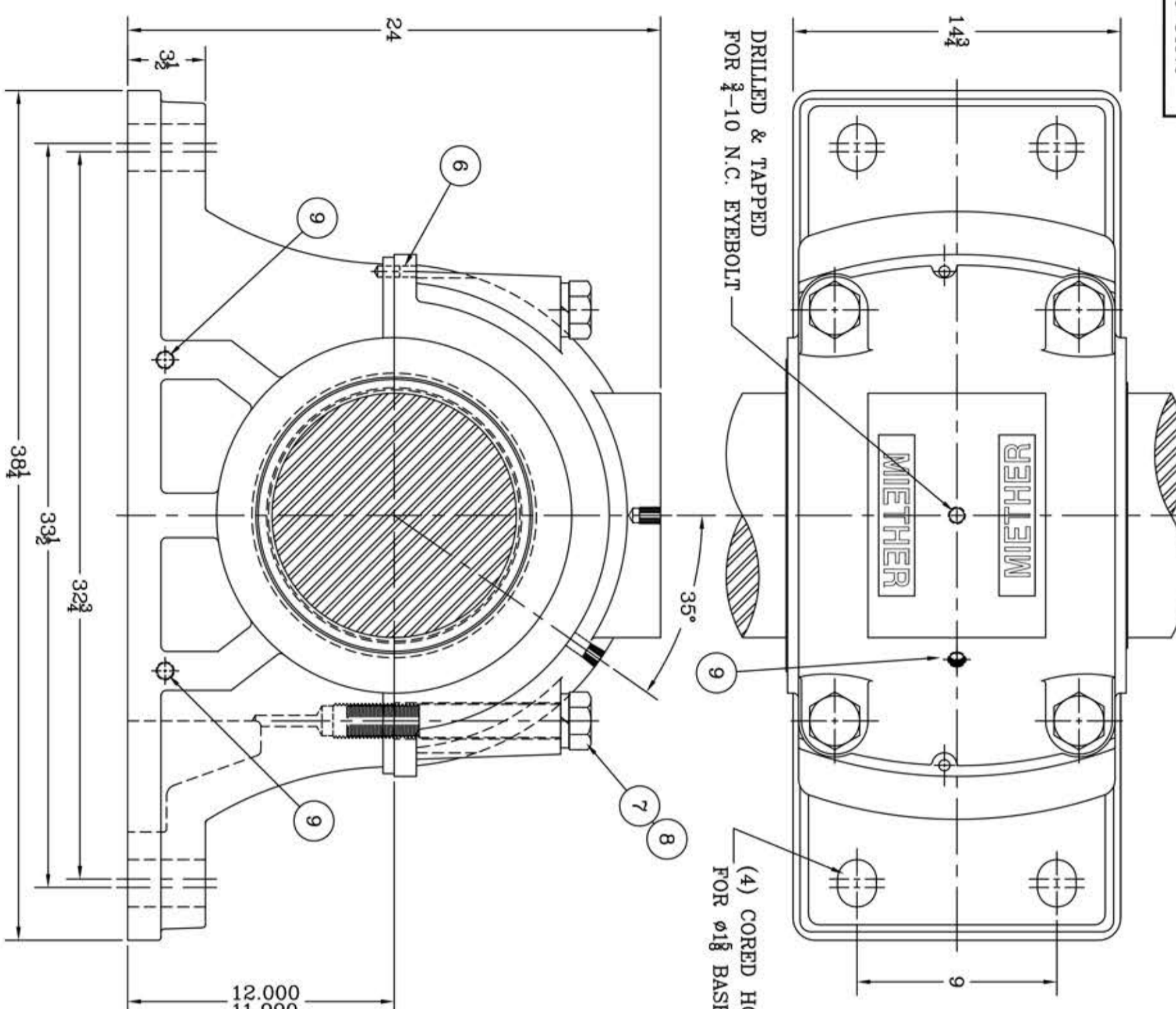
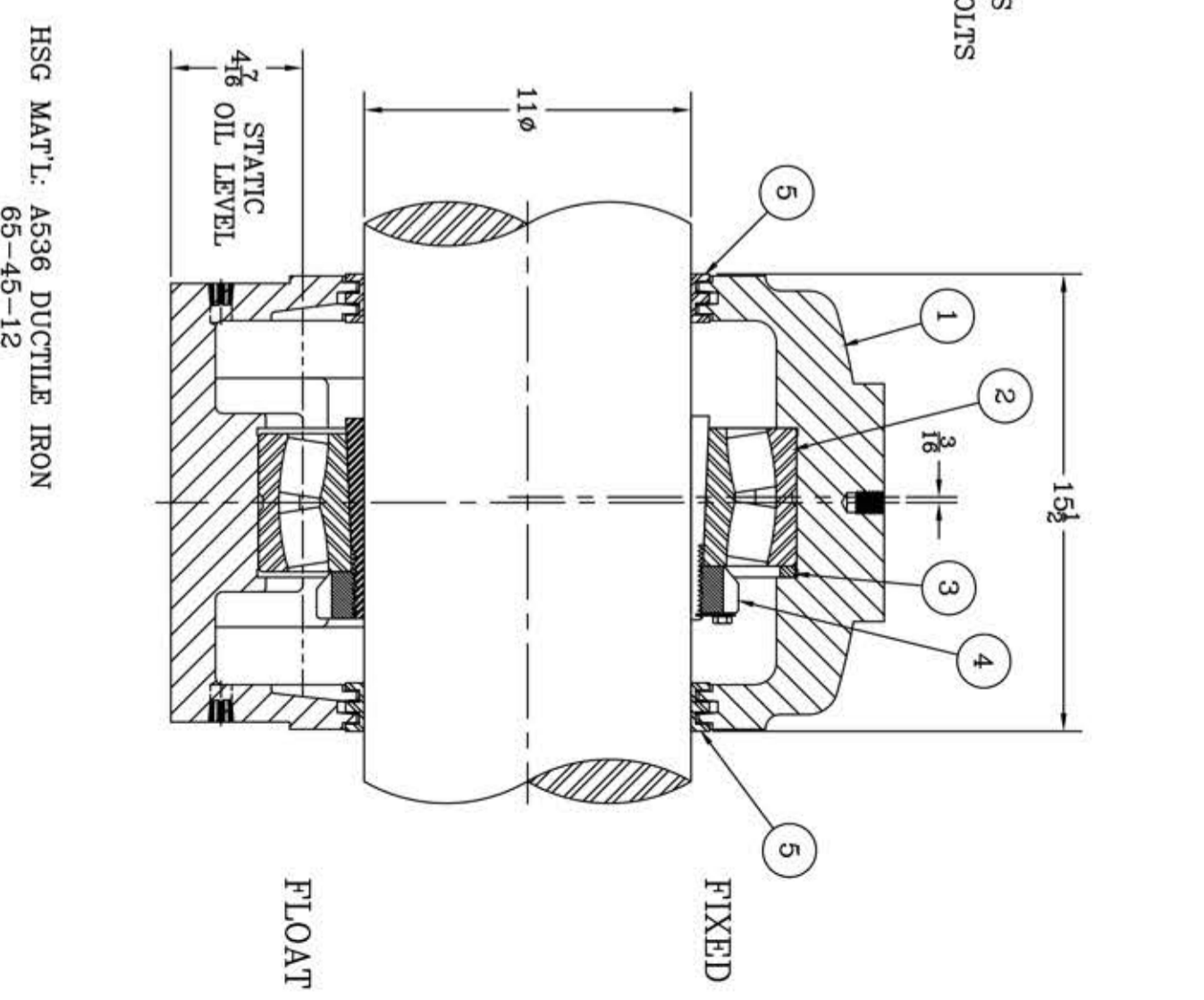


This drawing is the sole property of Miether Bearing Products and contains confidential and proprietary information. It is being provided to you for your use and may not be disclosed to any third party or used for any other purpose without Miether's prior written consent. The [materials] must be returned to the Company upon its demand. Your acceptance of these materials constitutes your acceptance of the foregoing terms.

C-34576



ITEM	DESCRIPTION	DETAIL	REQUIRED
1	HOUSING SDAF-060	C-15270	1 1
2	SPHERICAL ROLLER BEARING	23060K/W33	1 1
3	STABILIZING RING A8967	A-10549	1 0
4	ADAPTER SNP-3060 x 11-00	24276	1 1
5	TRIPLE SEAL RING ER-825	A-11230	2 2
6	DOWEL	$\phi 1/2$ x 1" LONG	2 2
7	CAP BOLT HEX. HEAD GR. 5	$1 1/2$ -6 NC x 10" LONG	4 4
8	LOCKWASHER	$1 1/2$ SPLIT MED.	4 4
9	PIPE PLUG	$1 1/2$ -14 NPT	5 5



HSG MAT'L: A536 DUCTILE IRON
65-45-12

REVISIONS

SYMBOL	DESCRIPTION
C	...
D	...
E	...
F	...
G	...
J	...
K	...

TOLERANCE: UNLESS OTHERWISE SPECIFIED
 FRACTIONS $\pm 1/32$ " ANGLES $\pm 0^\circ 30'$
 DECIMALS $\pm .005$ " WELD $\pm 1/16$ "
 CASTING $\pm 1/16$ "

A.I.S.I. STANDARD FINISHES

MICRO-INCH	VALUE
16	32
63	125
250	500
1000	1000

AN ALCO INDUSTRIES COMPANY
BEARING PRODUCTS
ODESSA, TX. USA

SDAFD 23060 K 11-00
ASSEMBLY DRAWING

SCALE 1 = 4
DRAWN KAB
DATE 8/11/11
CHK:

ASSEMBLY NO.
DRAWING NO.
C-34576