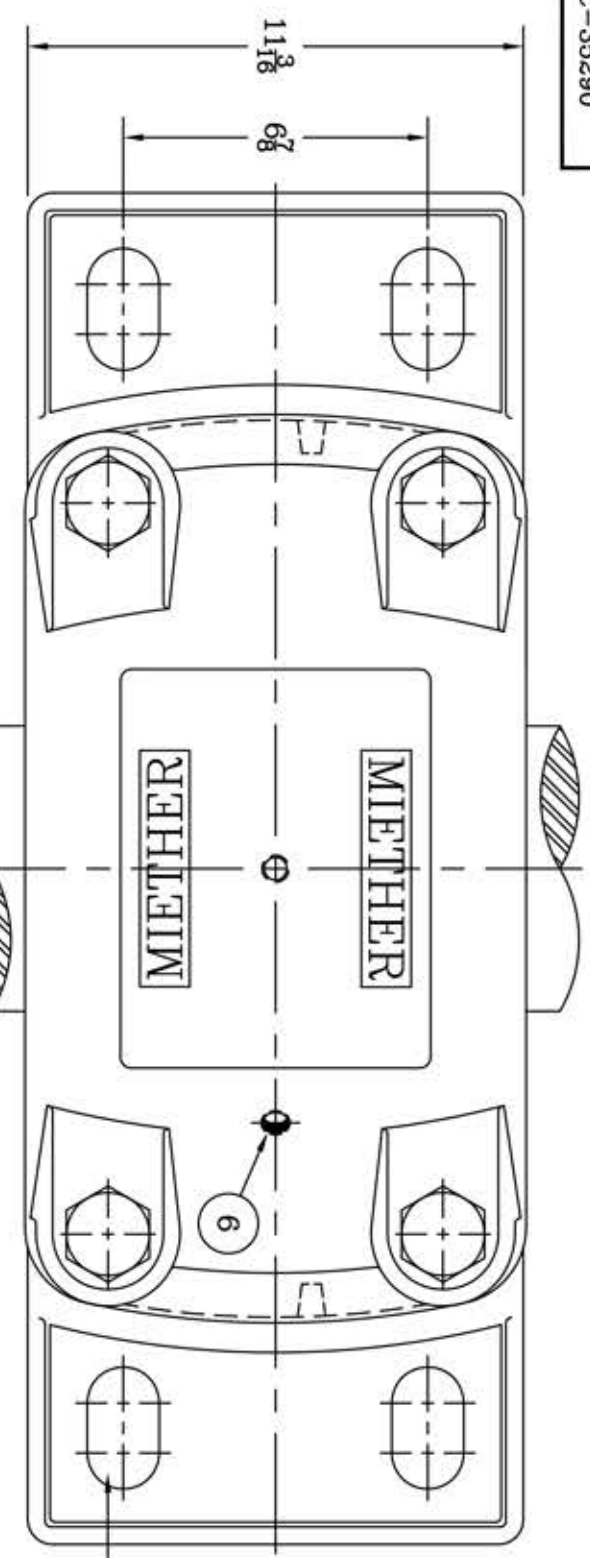


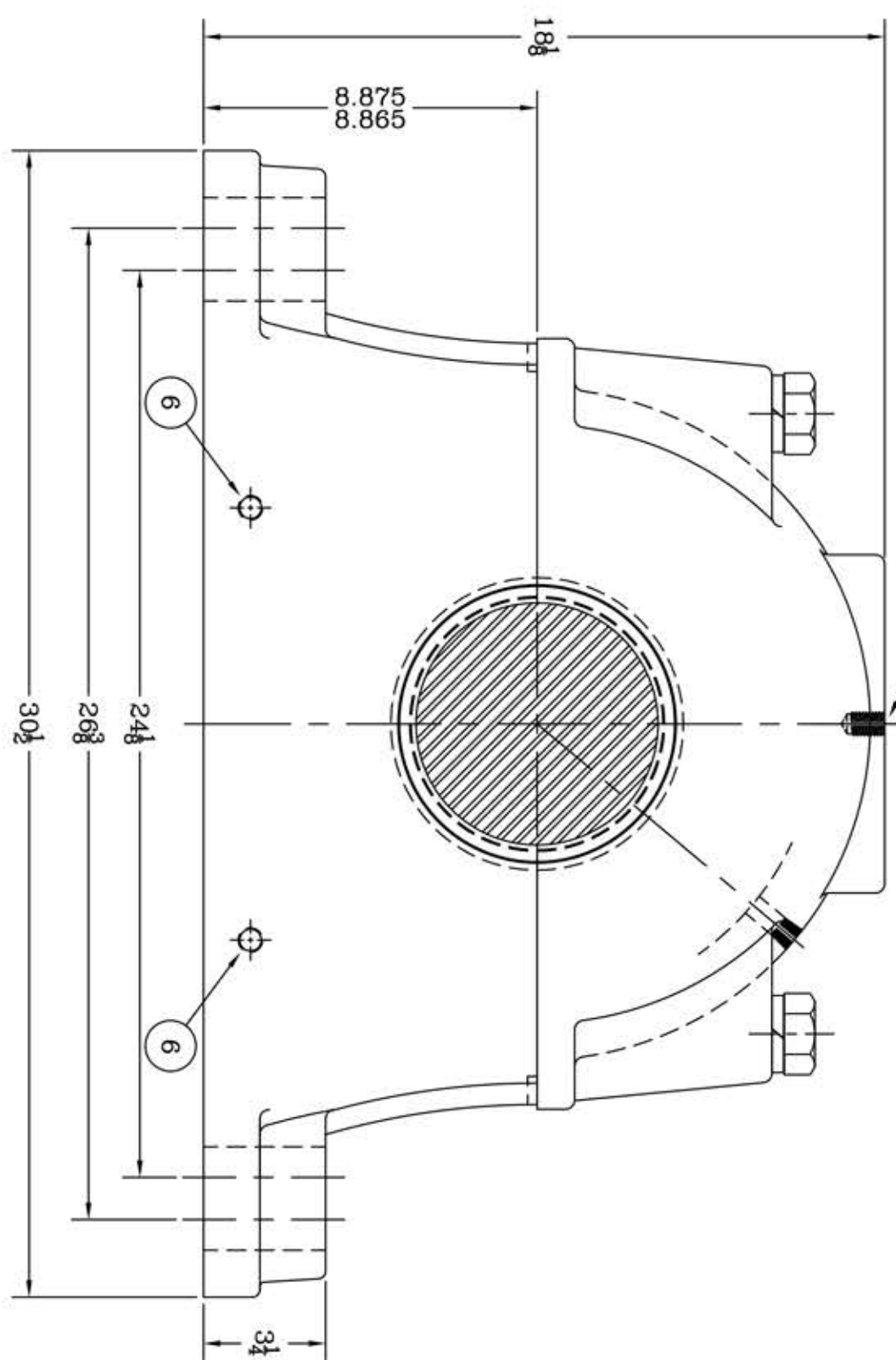
This drawing is the sole property of Miether Bearing Products and contains confidential and proprietary information. It is being provided to you for your use and may not be disclosed to any third party or used for any other purpose without Miether's prior written consent. The [materials] must be returned to the Company upon its demand. Your acceptance of these materials constitutes your acceptance of the foregoing terms.

C-35290

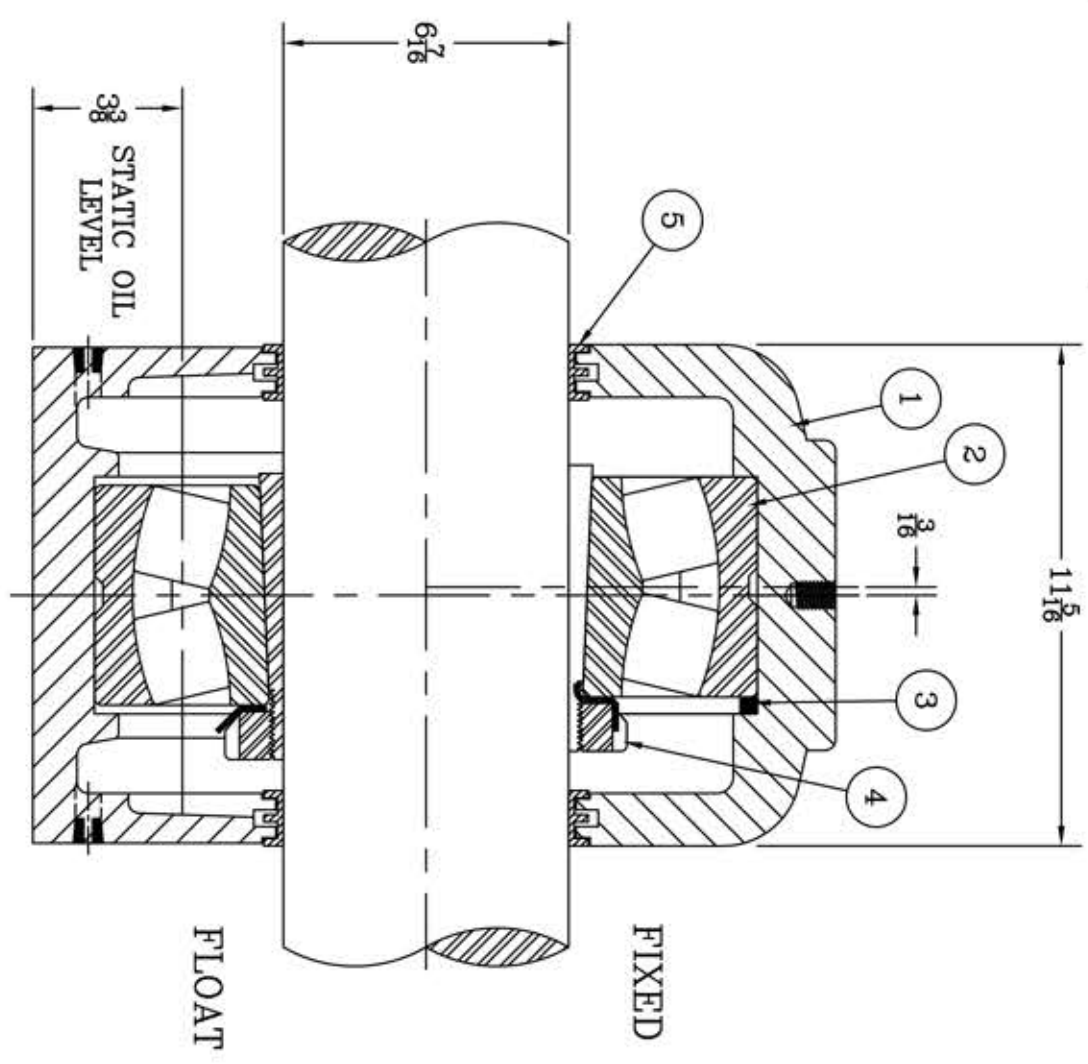


(4) CORED HOLES FOR  
1 1/2" Ø BASE BOLTS

TAPPED FOR 5/8-11 NC  
EYEBOLT (1 PLACE TDC)



| ITEM | DESCRIPTION              | DETAIL      | PER UNIT<br>EXD. E.T. |
|------|--------------------------|-------------|-----------------------|
| 1    | HOUSING SDAFDD 636       | C-          | 1                     |
| 2    | SPHERICAL ROLLER BEARING | 22336K/W-33 | 1                     |
| 3    | STABILIZING RING SR-0-36 | A-11459     | 1                     |
| 4    | ADAPTER SNW 136 06-07    | B-24474     | 1                     |
| 5    | TRIPLE SEAL RING LER-220 | A-15435     | 2                     |
| 6    | PIPE PLUG                | 3/8-18 NPT  | 5                     |



HOUSING MATERIAL - DUCTILE IRON  
ASTM A536 GR 65-45-12

REVISIONS

| SYMBOL | MICRO-INCH VALUE | DESCRIPTION |
|--------|------------------|-------------|
| ✓      | 16               |             |
| ∇      | 32               |             |
| ∇      | 63               |             |
| ∇      | 125              |             |
| ∇      | 250              |             |
| ∇      | 500              |             |
| ∇      | 1000             |             |

TOLERANCE: UNLESS OTHERWISE SPECIFIED  
 FRACTIONS ± 1/32" ANGLES ± 0° 30'  
 DECIMALS ± .005" WELD ± 1/16"  
 CASTING ± 1/16"

AISI STANDARD FINISHES

AN ALCO INDUSTRIES COMPANY  
BEARING PRODUCTS  
ODESSA, TX. USA

SDAFD 22636 06-07  
ASSEMBLY DRAWING

SCALE 1 = 3  
DRAWN PCF  
DATE 1/9/13  
CHK:

ASSEMBLY NO.  
DRAWING NO.  
C-35290