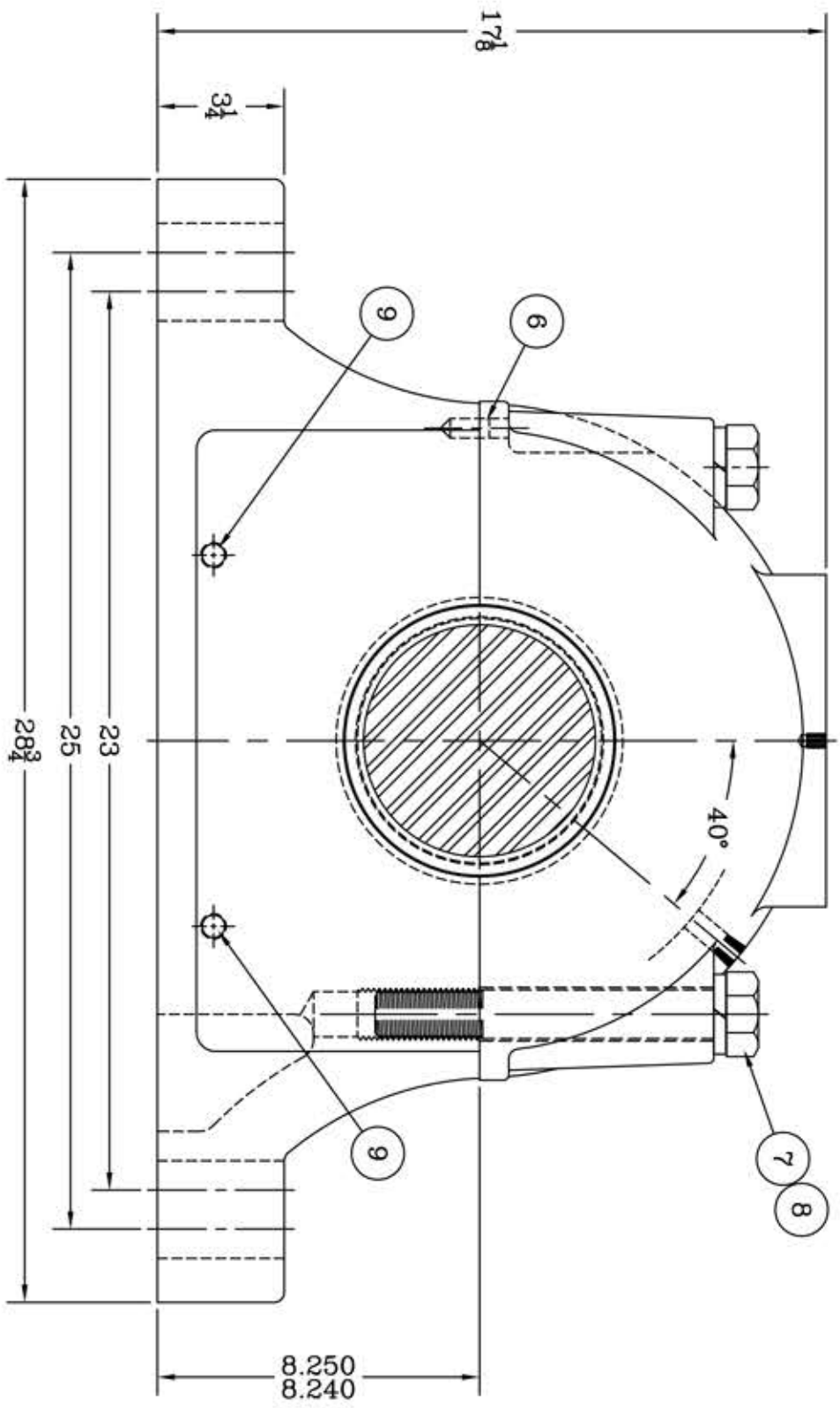
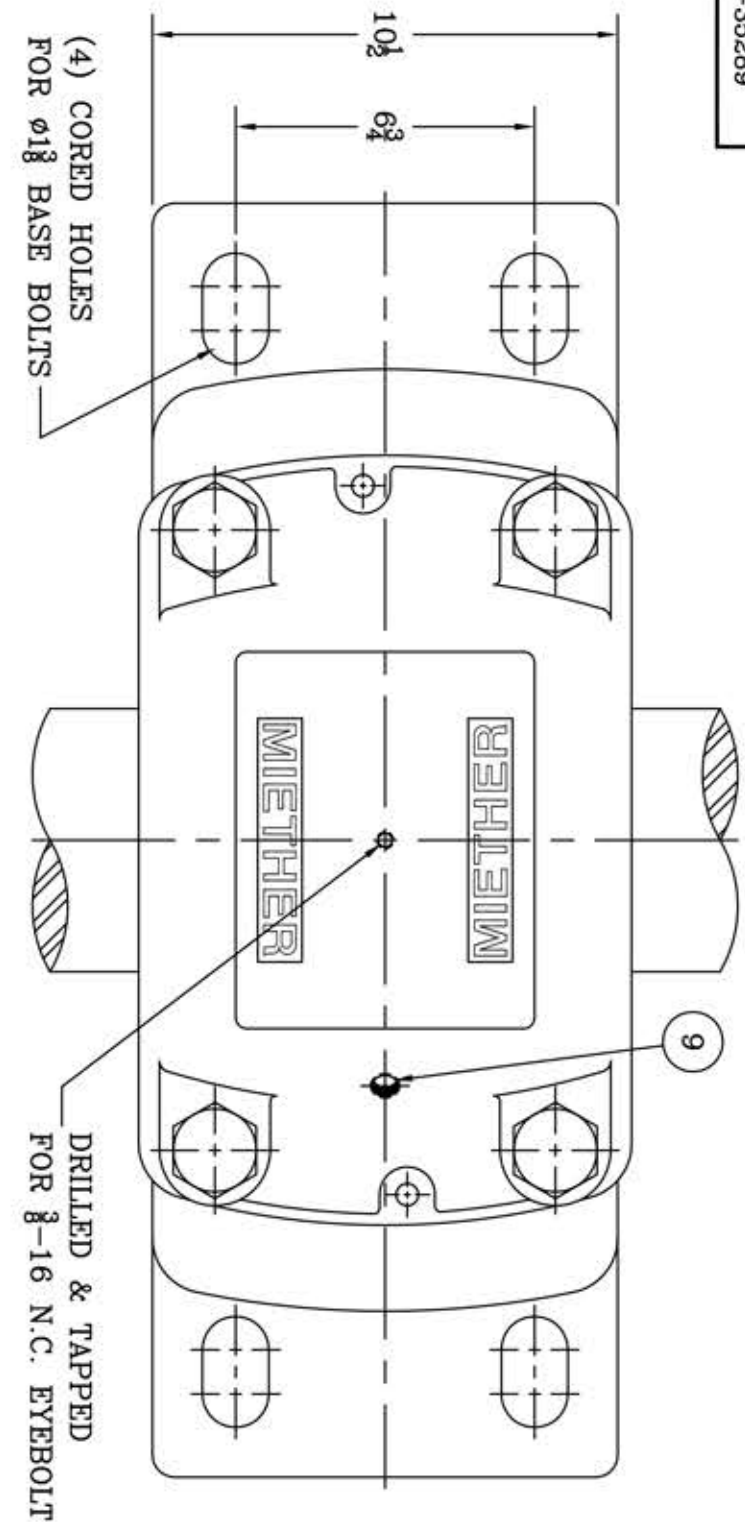
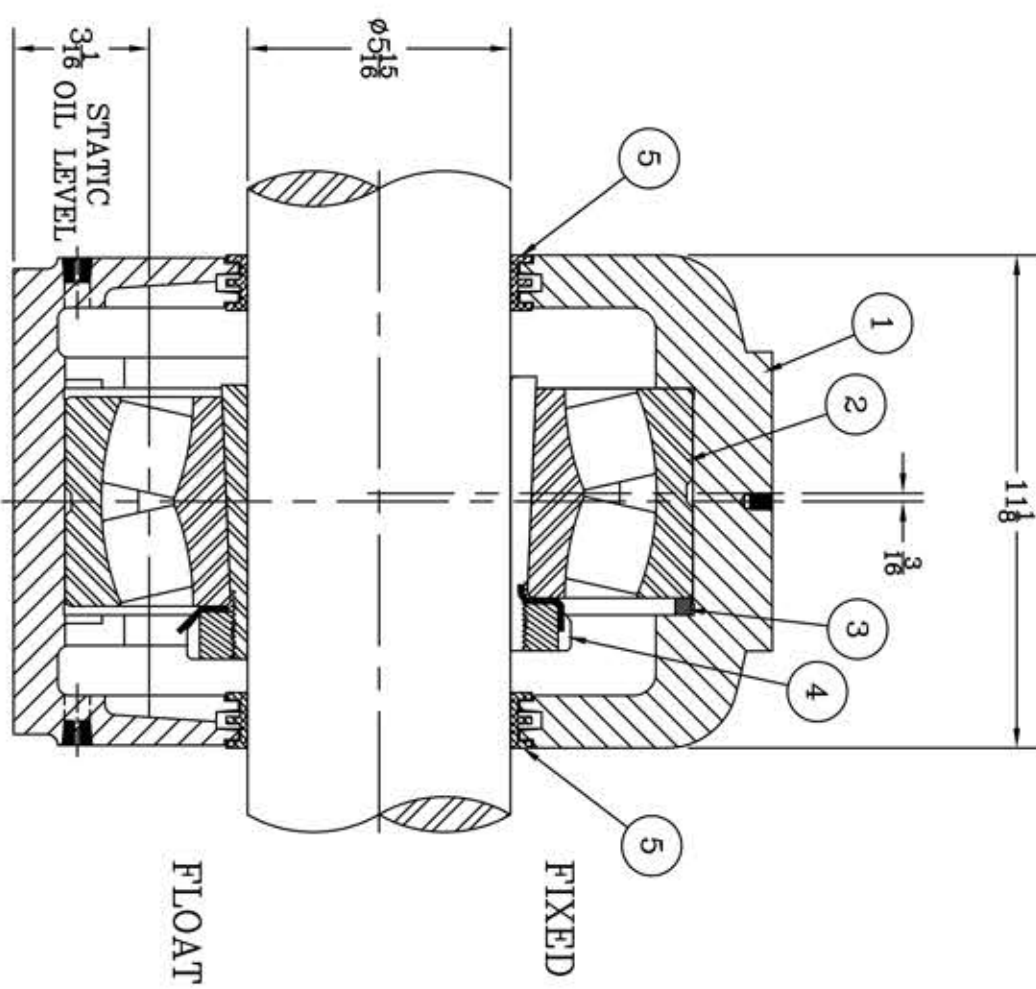


This drawing is the sole property of Miether Bearing Products and contains confidential and proprietary information. It is being provided to you for your use and may not be disclosed to any third party or used for any other purpose without Miether's prior written consent. The [materials] must be returned to the Company upon its demand. Your acceptance of these materials constitutes your acceptance of the foregoing terms.

C-35289



ITEM	DESCRIPTION	DETAIL	REQUIRED
1	HOUSING SDAFDD 634	C-	1 1
2	SPHERICAL ROLLER BEARING	22334K/W-33	1 1
3	STABILIZING RING SR-40-34	A-10611	1 0
4	ADAPTER SNW-34		1 1
5	TRIPLE SEAL RING LER-215	A-16872	2 2
6	DOWEL	$\phi 2$ x 1" LONG	2 2
7	CAP BOLT HEX. HEAD GR.5	1 $\frac{1}{4}$ -7 NC x 9" LONG	4 4
8	LOCKWASHER	1 $\frac{1}{4}$ SPLIT MED.	4 4
9	PIPE PLUG	$\frac{3}{8}$ -18 NPT	5 5



HOUSING MATERIAL - DUCTILE IRON
ASTM A536 GR 65-45-12

REVISIONS

SYMBOL	MICRO-INCH VALUE	DESCRIPTION
C	16	
D	32	
E	63	
F	125	
G	250	
J	500	
K	1000	

TOLERANCE: UNLESS OTHERWISE SPECIFIED
 FRACTIONS $\pm 1/32$ "
 DECIMALS $\pm .005$ "
 CASTING $\pm 1/16$ "
 ANGLES $\pm 0^{\circ} 30'$
 WELD $\pm 1/16$ "

AISI STANDARD FINISHES

ALCO INDUSTRIES COMPANY
BEARING PRODUCTS
AN ALCO INDUSTRIES COMPANY
ODESSA, TX. USA

SDAFDD 22634 05-15	ASSEMBLY NO.
ASSEMBLY DRAWING	
SCALE 1 = 3	ASSEMBLY NO.
DRAWN PCF	
DATE 1/9/13	DRAWING NO.
CHK:	C-35289