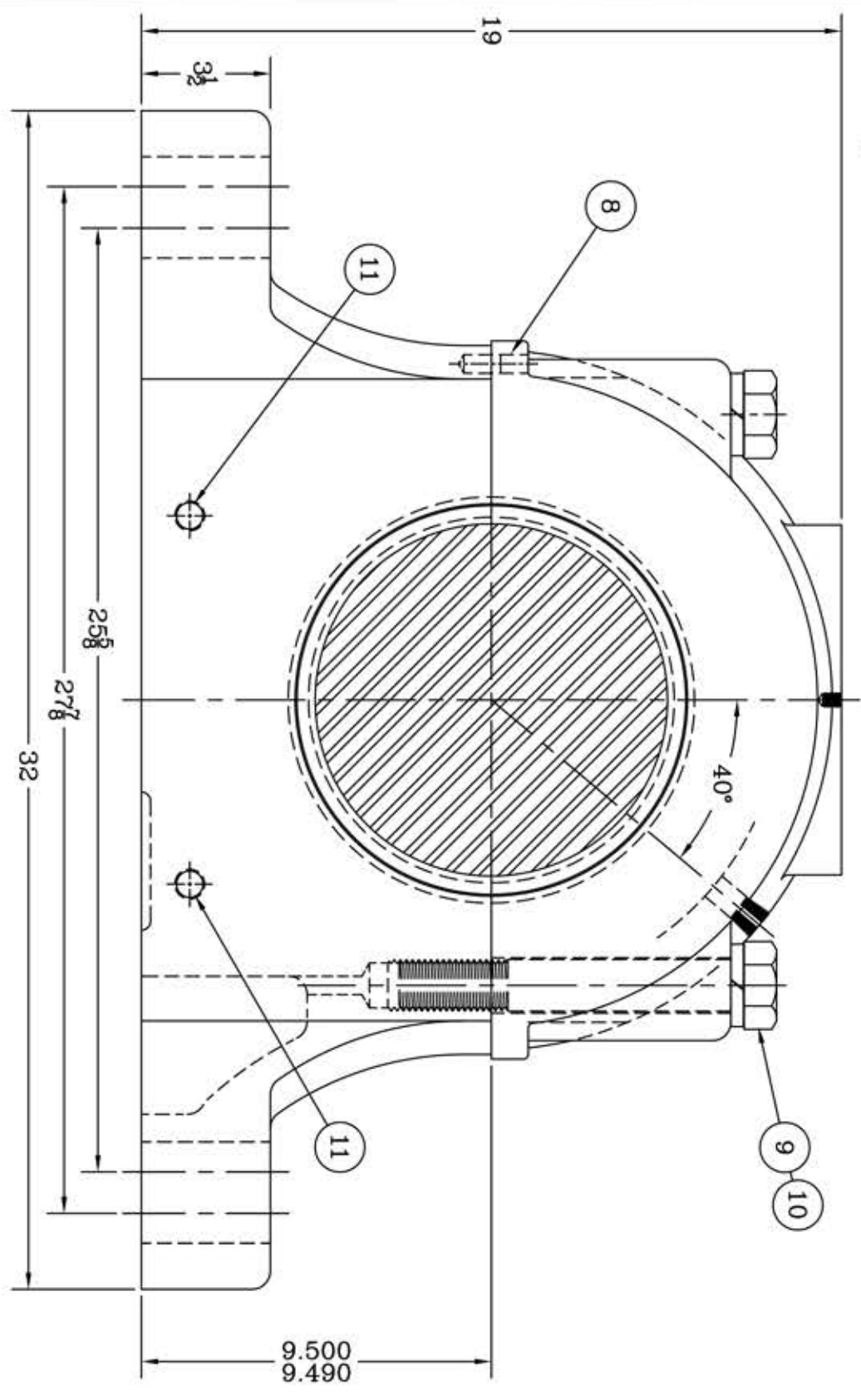
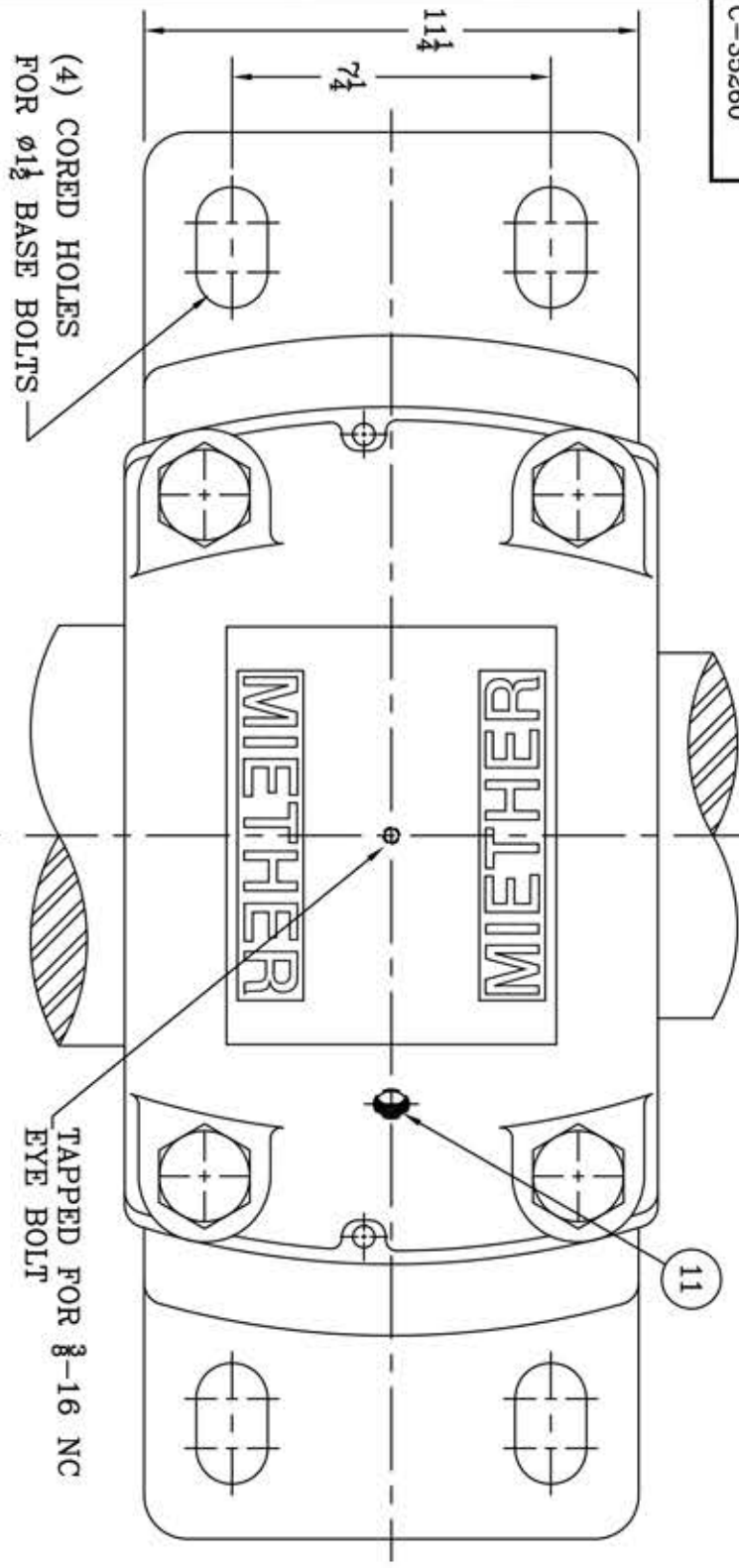
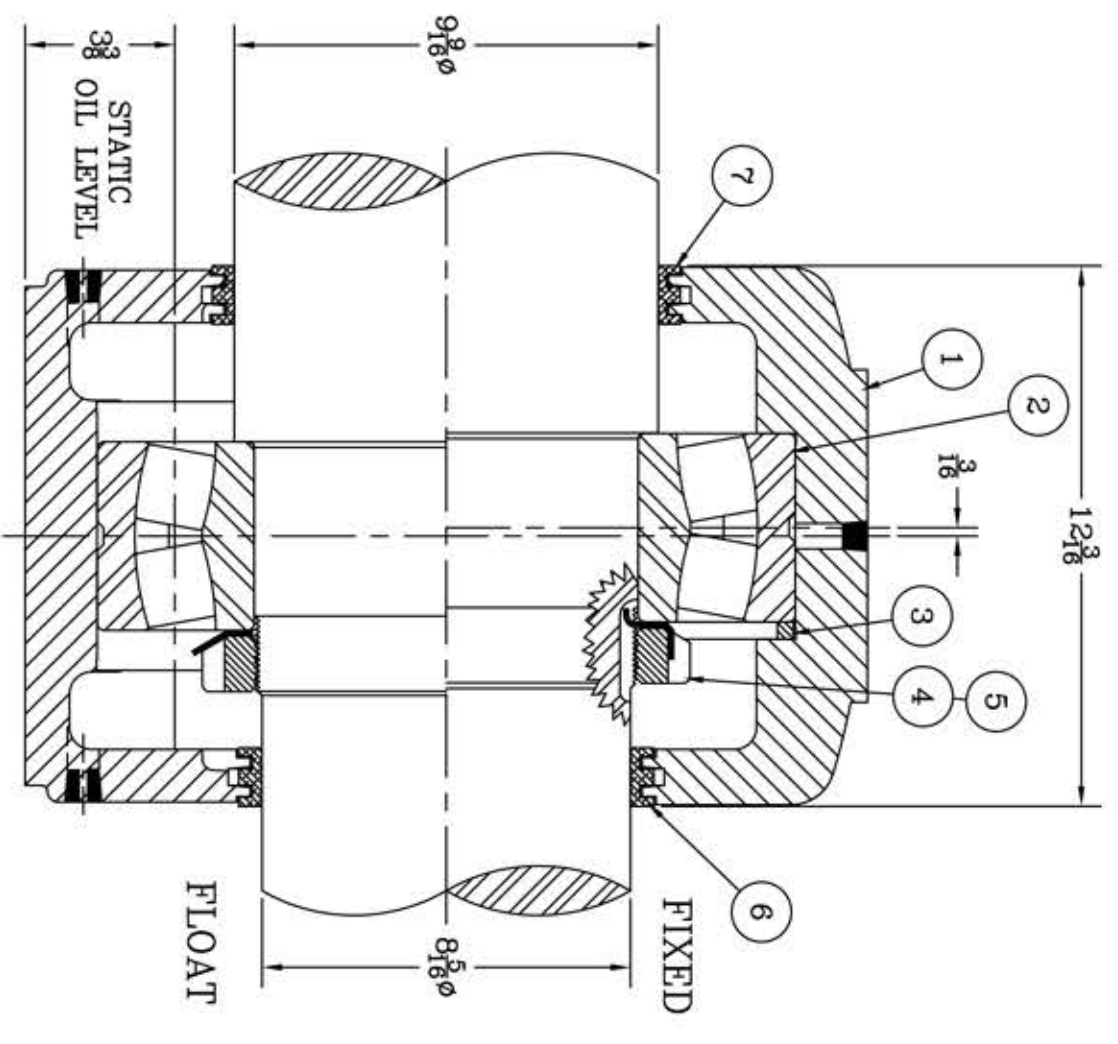


This drawing is the sole property of Miether Bearing Products and contains confidential and proprietary information. It is being provided to you for your use and may not be disclosed to any third party or used for any other purpose without Miether's prior written consent. The [materials] must be returned to the Company upon its demand. Your acceptance of these materials constitutes your acceptance of the foregoing terms.

C-35260



ITEM	DESCRIPTION	DETAIL	REQUIRED
1	HOUSING SDAFD-244	C-	1 1
2	SPHERICAL ROLLER BEARING	22244/W 33	1 1
3	STABILIZING RING SR-44-38	A-10612	1 0
4	LOCKNUT N-44	B-10425	1 1
5	LOCKWASHER W-44	~~~~~	1 1
6	TRIPLE SEAL RING LER-239	A-12892	1 1
7	TRIPLE SEAL RING LER-248	A-12893	1 1
8	DOWEL	Ø 1/2 x 1 LONG	2 2
9	CAP BOLT HEX. HEAD GR.5	1 1/8-6 NC x 9 LONG	4 4
10	LOCKWASHER	1 1/8 SPLIT MED.	4 4
11	PIPE PLUG	1/2-14 NPT	5 5



HOUSING MATERIAL - DUCTILE IRON
ASTM A536 GR 65-45-12

REVISIONS	
SYMBOL	DESCRIPTION
16	18
32	63
63	125
125	250
250	500
500	1000



 AN ALCO INDUSTRIES COMPANY
 ODESSA, TX, USA

TOLERANCE: UNLESS OTHERWISE SPECIFIED
 FRACTIONS $\pm 1/32"$ ANGLES $\pm 0^\circ 30'$
 DECIMALS $\pm .005"$ WELD $\pm 1/16"$
 CASTING $\pm 1/16"$

SDAFD 22244 09-09 x 08-05
 ASSEMBLY DRAWING
 SCALE 1 = 3 ASSEMBLY NO.
 DRAWN PCF
 DATE 1/7/13 DRAWING NO.
 CHK: C-35260