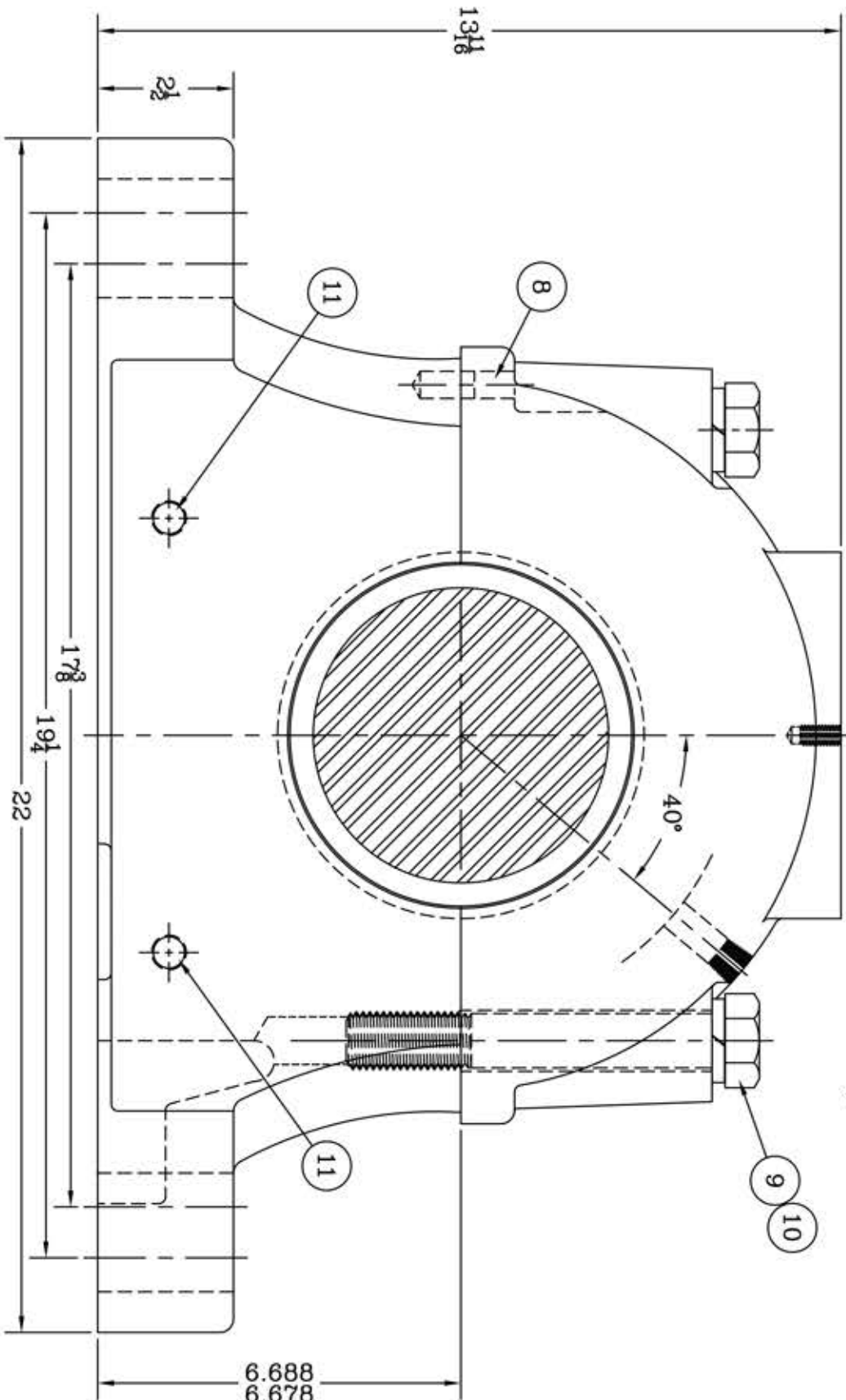
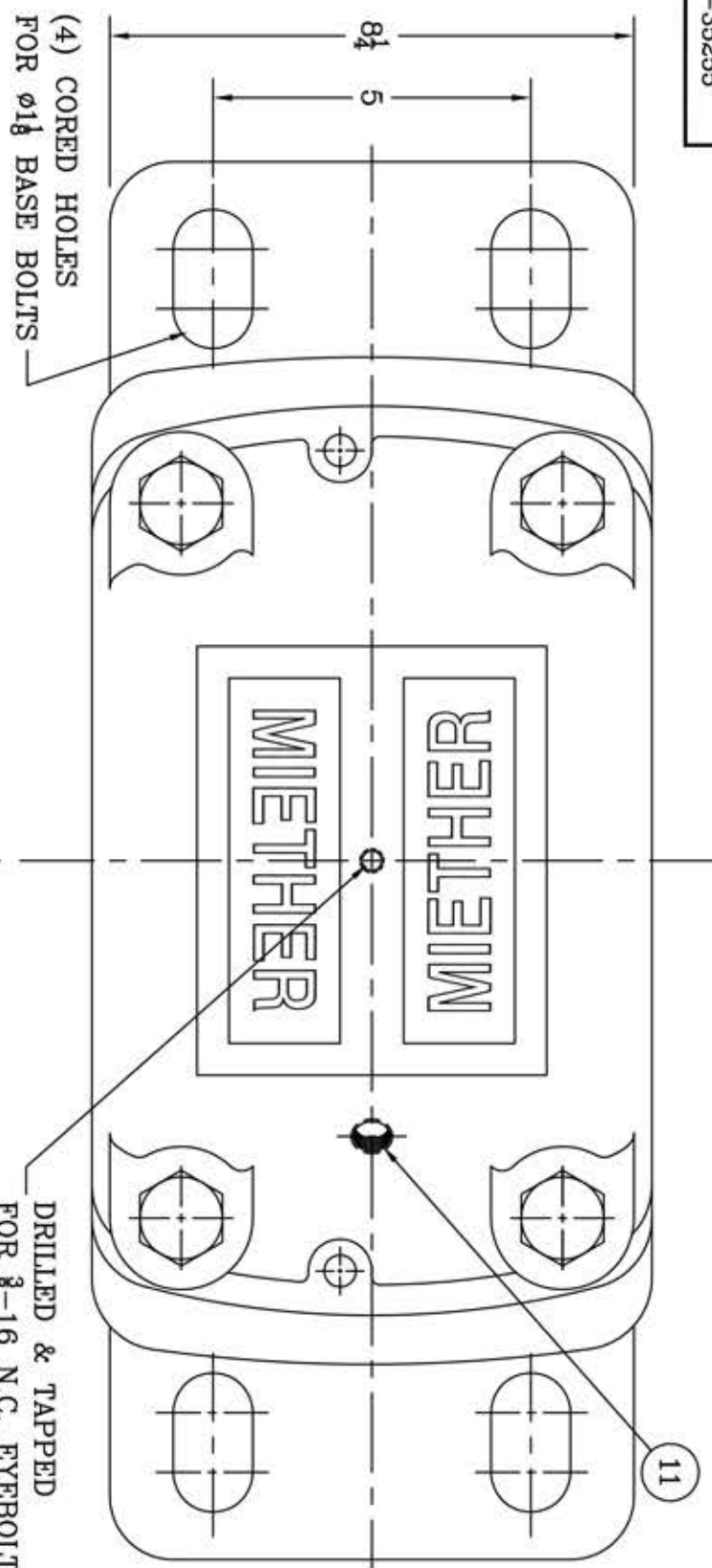
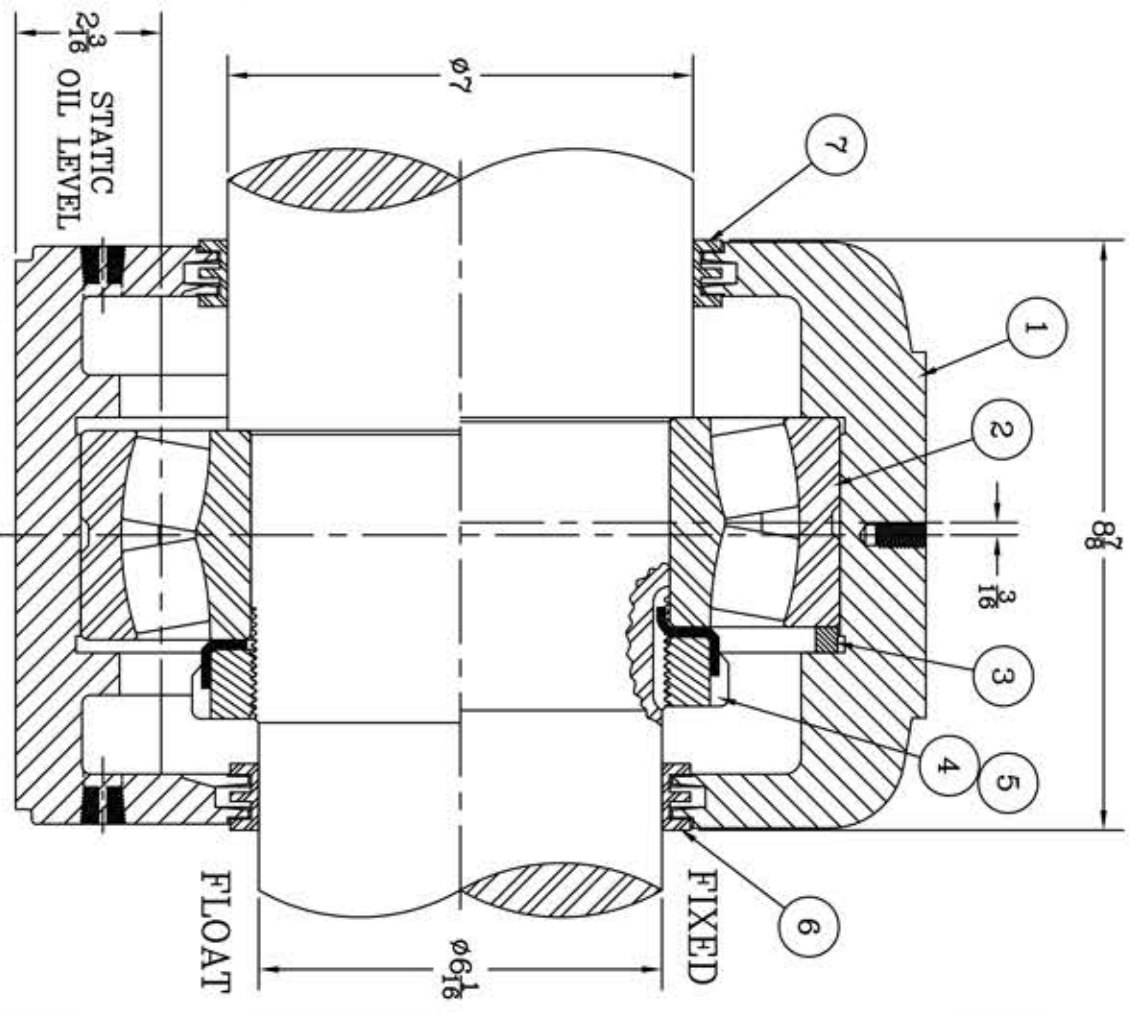


This drawing is the sole property of Miether Bearing Products and contains confidential and proprietary information. It is being provided to you for your use and may not be disclosed to any third party or used for any other purpose without Miether's prior written consent. The [materials] must be returned to the Company upon its demand. Your acceptance of these materials constitutes your acceptance of the foregoing terms.

C-35255



ITEM	DESCRIPTION	DETAIL	REQUIRED
1	HOUSING SDAFD 232	C-	1 1
2	SPHERICAL ROLLER BEARING	22232/W-33	1 1
3	STABILIZING RING SR-32-0	A-10608	1 0
4	LOCKNUT AN-32	B-10420	1 1
5	LOCKWASHER W-32	00250	1 1
6	TRIPLE SEAL RING LER-142	A-10640	1 1
7	TRIPLE SEAL RING LER-156	A-10588	1 1
8	DOWEL	Ø 1/2 x 1" LONG	2 2
9	CAP BOLT HEX. HEAD GR.5	1-8 NC x 7" LONG	4 4
10	LOCKWASHER	1" SPLIT MED.	4 4
11	PIPE PLUG	3/8-18 NPT	5 5



HOUSING MATERIAL - DUCTILE IRON
ASTM A536 GR 65-45-12

REVISIONS

SYMBOL	DESCRIPTION
✓	16
✓	32
✓	63
✓	125
✓	250
✓	500
✓	1000

AN ALCO INDUSTRIES COMPANY
ODessa, TX, USA

SDAFD 22232 07-00 x 06-01
ASSEMBLY DRAWING

SCALE HALF
DRAWN PCF
DATE 1/7/13
CHK:

ASSEMBLY NO.
DRAWING NO.
C-35255