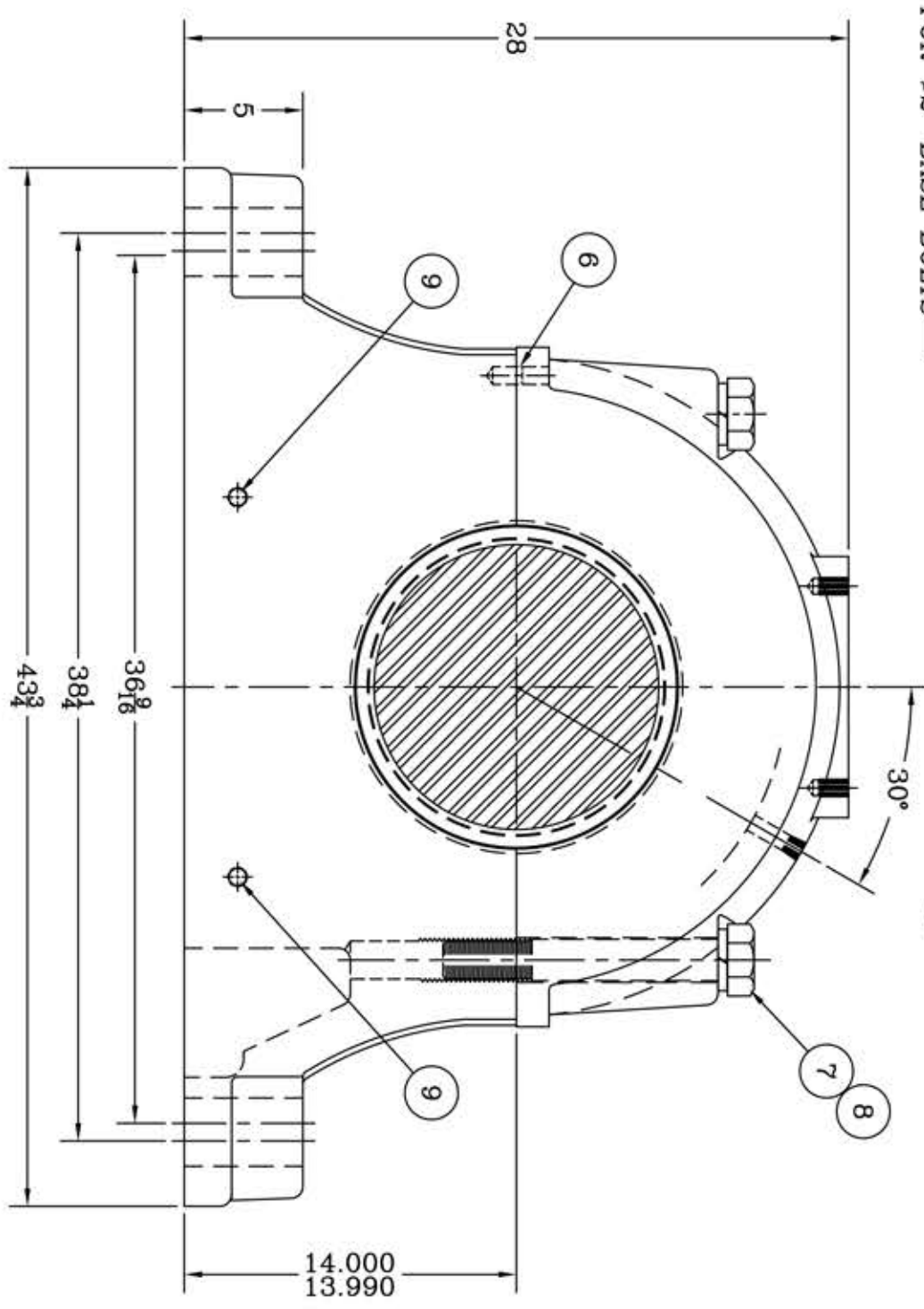
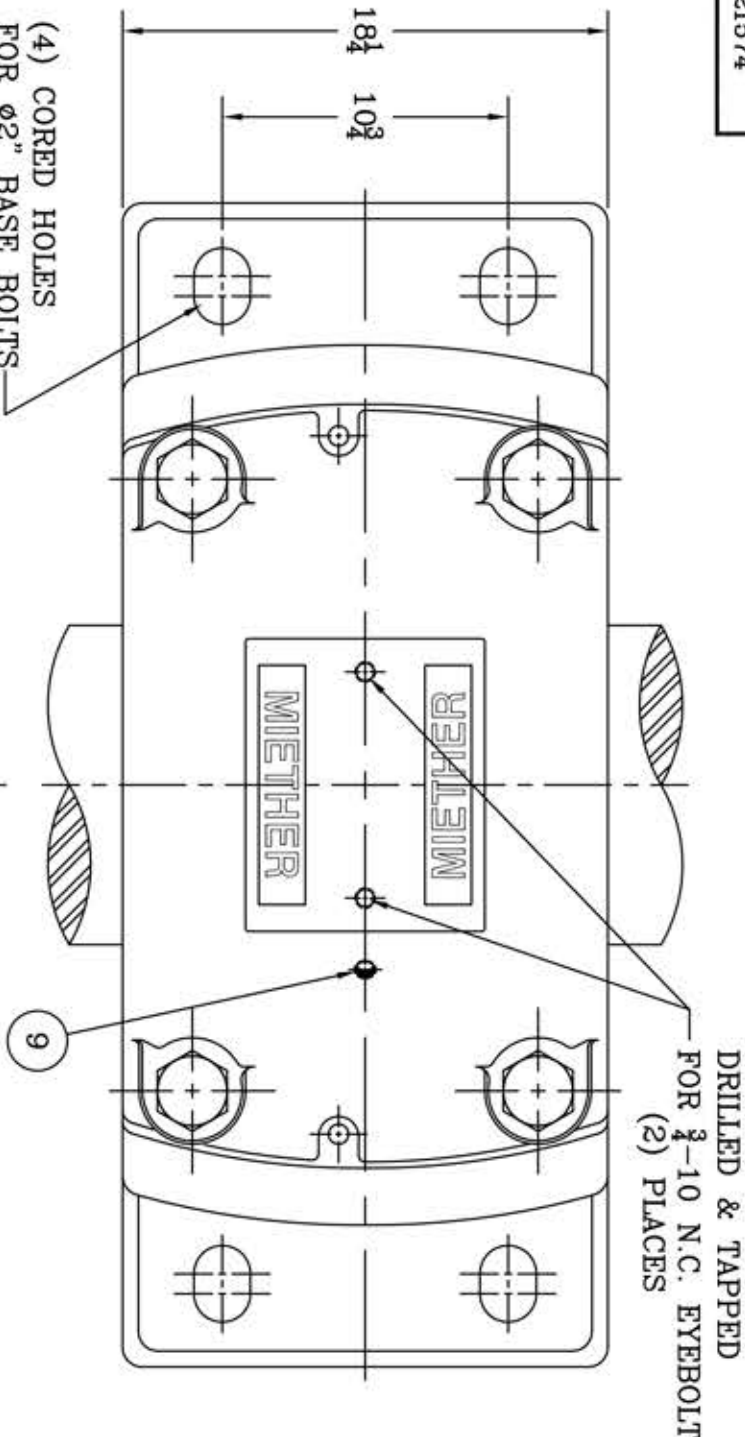
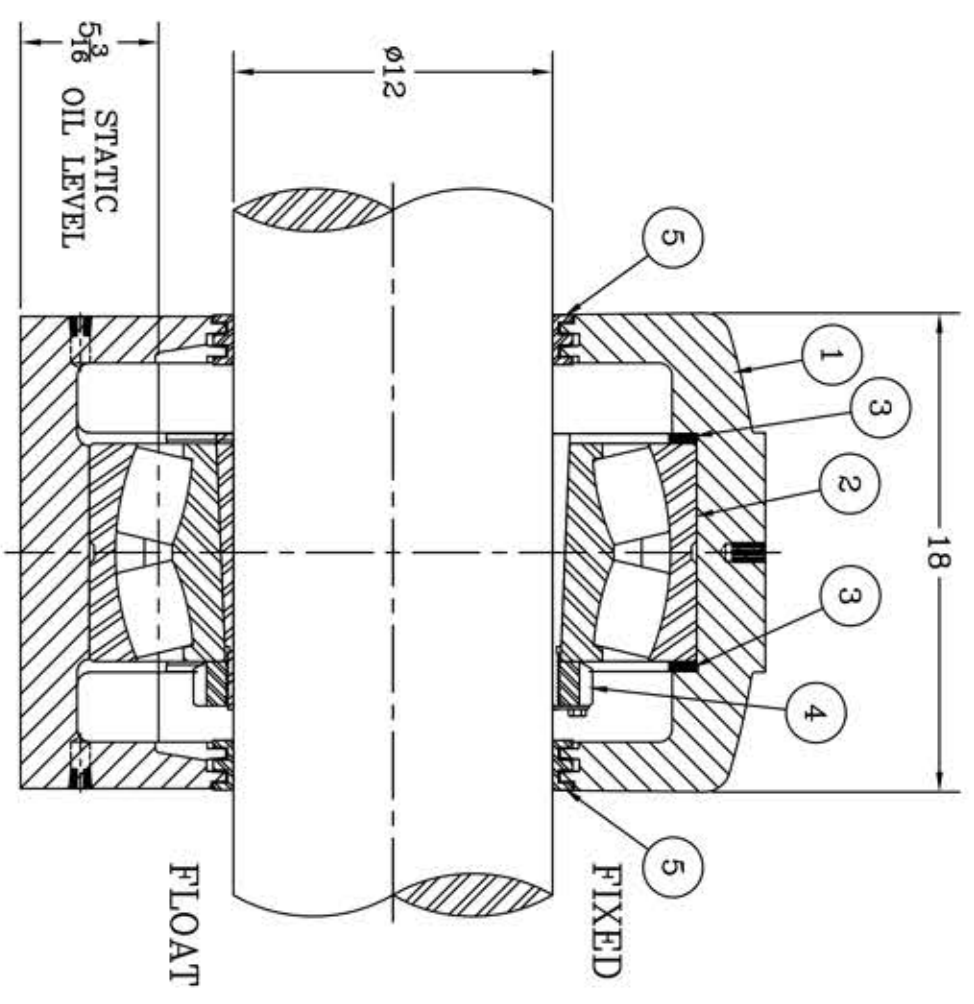


This drawing is the sole property of Miether Bearing Products and contains confidential and proprietary information. It is being provided to you for your use and may not be disclosed to any third party or used for any other purpose without Miether's prior written consent. The [materials] must be returned to the Company upon its demand. Your acceptance of these materials constitutes your acceptance of the foregoing terms.

C-21574



ITEM	DESCRIPTION	DETAIL	REQUIRED
1	HOUSING SDAF 3264 12-00	C-21673-R	1 1
2	SPHERICAL ROLLER BEARING	23264K/W-33	1 1
3	STABILIZING RING A8977	A-20644	2 0
4	ADAPTER SNP 3264 12-00	24324	1 1
5	TRIPLE SEAL RING ER-884 S	A-12085	2 2
6	DOWEL	$\phi 2$ x 1" LONG	2 2
7	CAP BOLT HEX. HEAD	$1\frac{1}{2}$ -5 NC x 12" LONG	4 4
8	LOCKWASHER	$1\frac{1}{2}$ SPLIT MED.	4 4
9	PIPE PLUG	$\frac{1}{2}$ -14 NPT	5 5



WAS SR-16603
REDRAWN FOR CONFORMITY
RWB per KAB
12-3-04

REDRAWN TO SCALE FHB
8-12-98

REVISIONS

SYMBOL	DESCRIPTION
C	ANGLES $\pm 0^\circ 30'$
D	WEILD $\pm 1/16"$
E	WELD $\pm 1/16"$
F	WELD $\pm 1/16"$
G	WELD $\pm 1/16"$
J	WELD $\pm 1/16"$
K	WELD $\pm 1/16"$

TOLERANCE: UNLESS OTHERWISE SPECIFIED

FRACTIONS $\pm 1/32"$ ANGLES $\pm 0^\circ 30'$

DECIMALS $\pm .005"$ WEILD $\pm 1/16"$

CASTING $\pm 1/16"$ WELD $\pm 1/16"$

A.I.S.I. STANDARD FINISHES

SYMBOL	FINISH
C	16
D	32
E	63
F	125
G	250
J	500
K	1000

AN ALCO INDUSTRIES COMPANY
BEARING PRODUCTS
ODESSA, TX. USA

SDAF 23264 K 12-00
ASSEMBLY DRAWING

SCALE 1 = 5
DRAWN BAB
DATE 9/1/92
CHK:

ASSEMBLY NO.
DRAWING NO.
C-21574