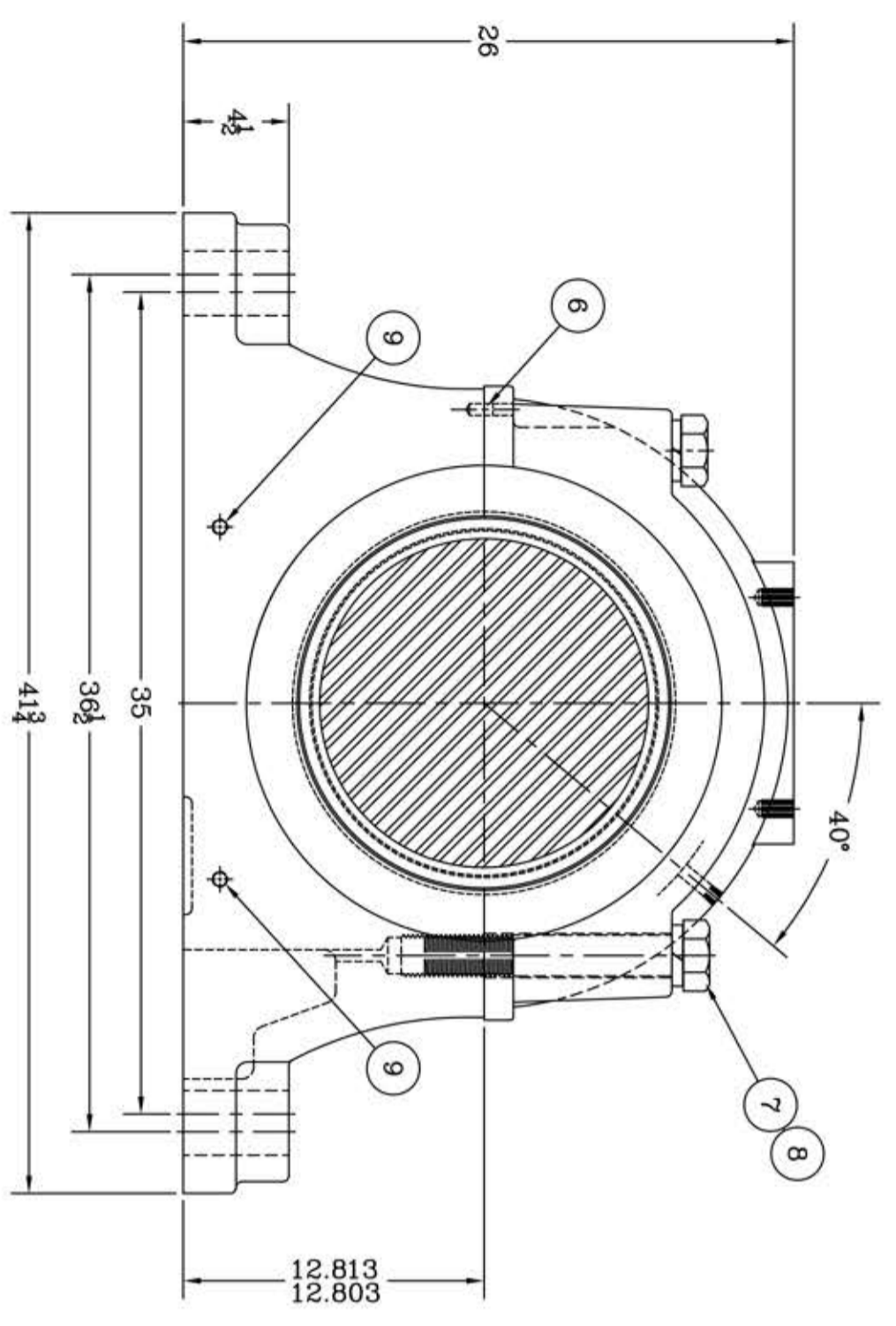
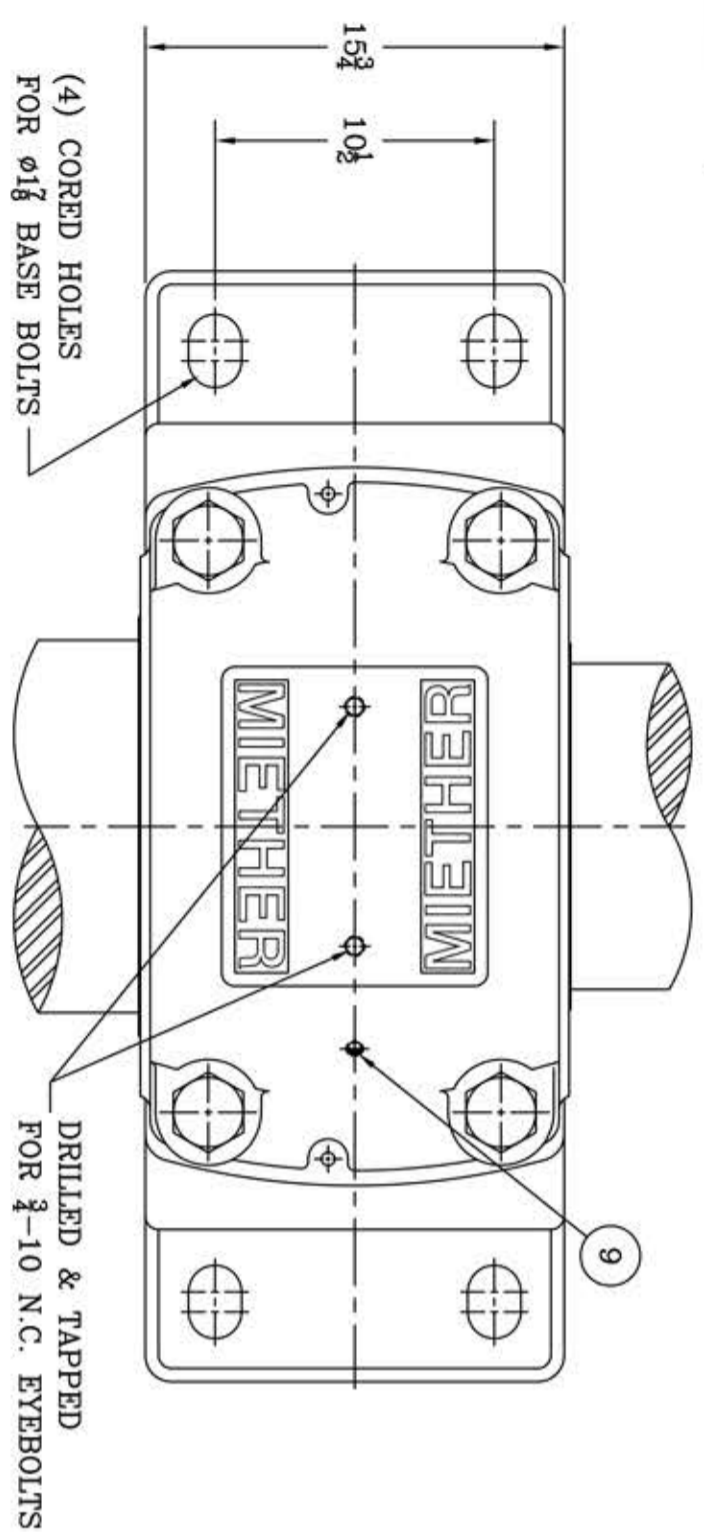
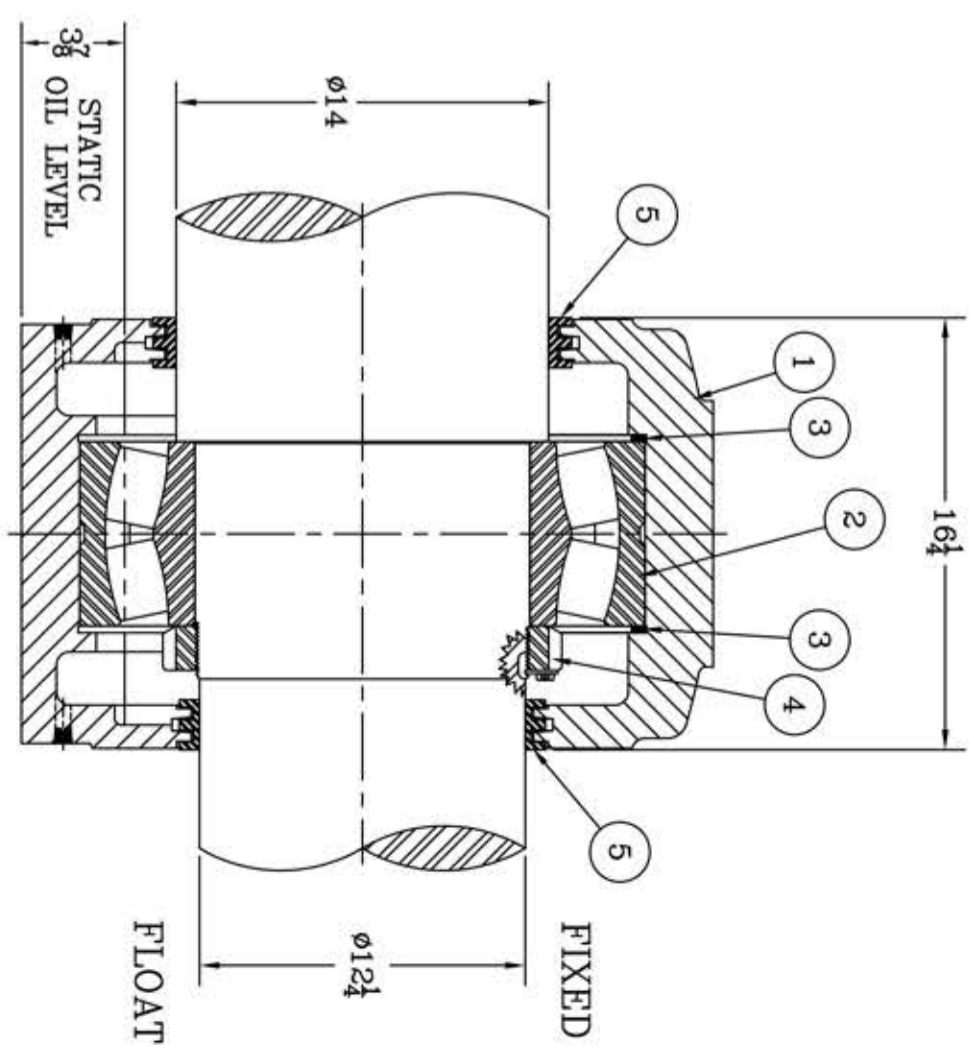


This drawing is the sole property of Miether Bearing Products and contains confidential and proprietary information. It is being provided to you for your use and may not be disclosed to any third party or used for any other purpose without Miether's prior written consent. The [materials] must be returned to the Company upon its demand. Your acceptance of these materials constitutes your acceptance of the foregoing terms.

C-32103



ITEM	DESCRIPTION	DETAIL	REQUIRED
1	HOUSING SDAF 3164K 14 x 12 1/4	C-	1 1
2	SPHERICAL ROLLER BEARING	23164/W-33	1 1
3	STABILIZING RING A-8970-2	A-29630	2 0
4	LOCKNUT N-064	B-10052	1 1
5	LOCKPLATE P-64	A-10156	1 1
6	TRIPPLE SEAL RING ER-983	A-20075	1 1
7	TRIPPLE SEAL RING ER-876	A-10760	1 1
8	DOWEL	Ø 1/2 x 1" LONG	2 2
9	CAP BOLT HEX. HEAD	1 1/2-5 NC x 11" LONG	4 4
10	LOCKWASHER	1 1/2 SPLIT MED.	4 4
11	PIPE PLUG	3/8-18 NPT	5 5



REVISIONS

SYMBOL	MICRO-INCH VALUE	DESCRIPTION
✓	16	
∇	32	
∇	63	
∇	125	
∇	250	
∇	500	
∇	1000	

TOLERANCE: UNLESS OTHERWISE SPECIFIED
 FRACTIONS ± 1/32" ANGLES ± 0° 30'
 DECIMALS ± .005" WELD ± 1/16"
 CASTING ± 1/16"

A.I.S.I. STANDARD FINISHES

AN ALCO INDUSTRIES COMPANY
 BEARING PRODUCTS
 ODESSA, TX. USA

SDAF 23164 14-00 x 12-04
 ASSEMBLY DRAWING

SCALE 1 = 5
 DRAWN RWB
 DATE 2/9/05
 CHK:

ASSEMBLY NO.
 DRAWING NO. C-32103