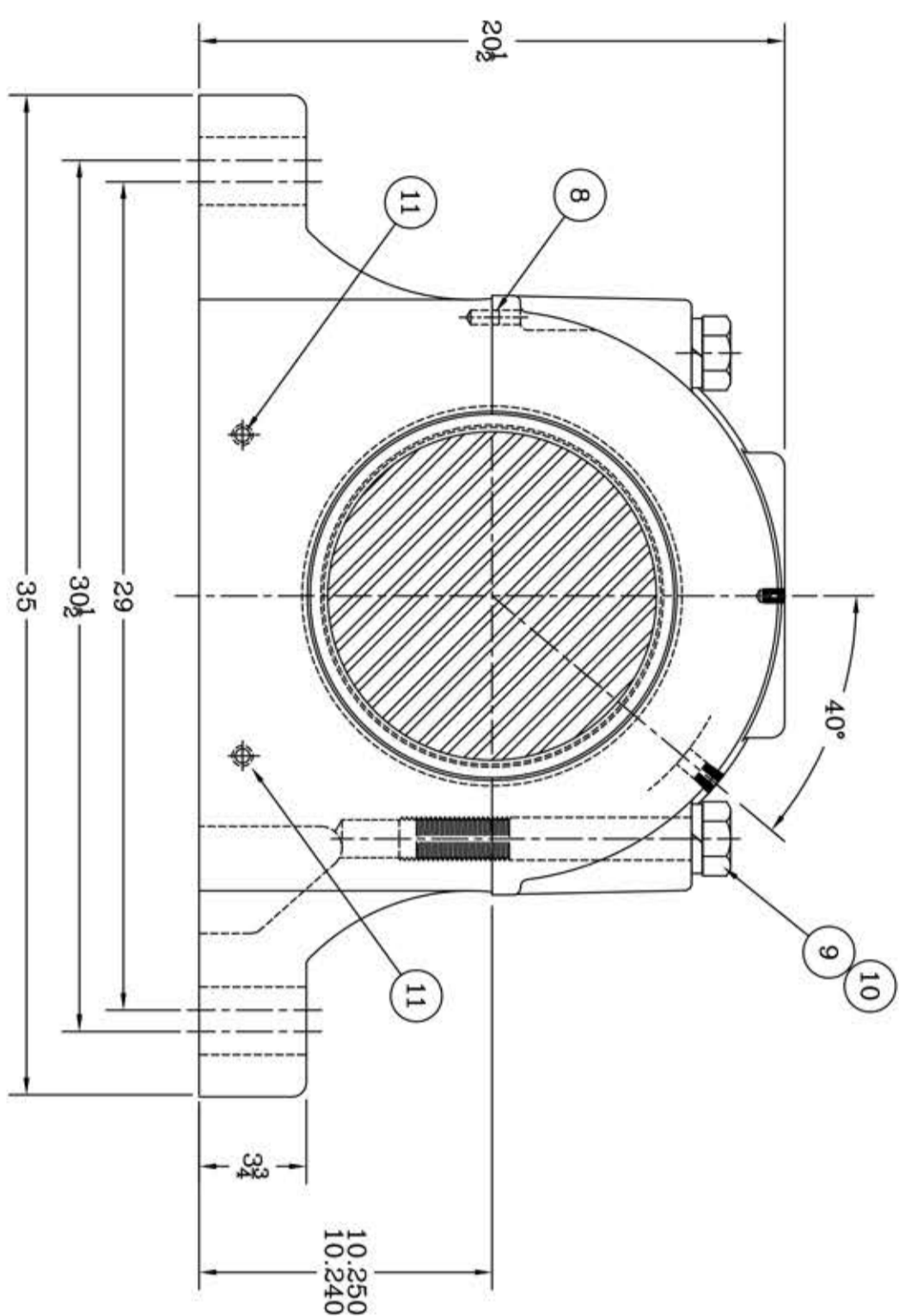
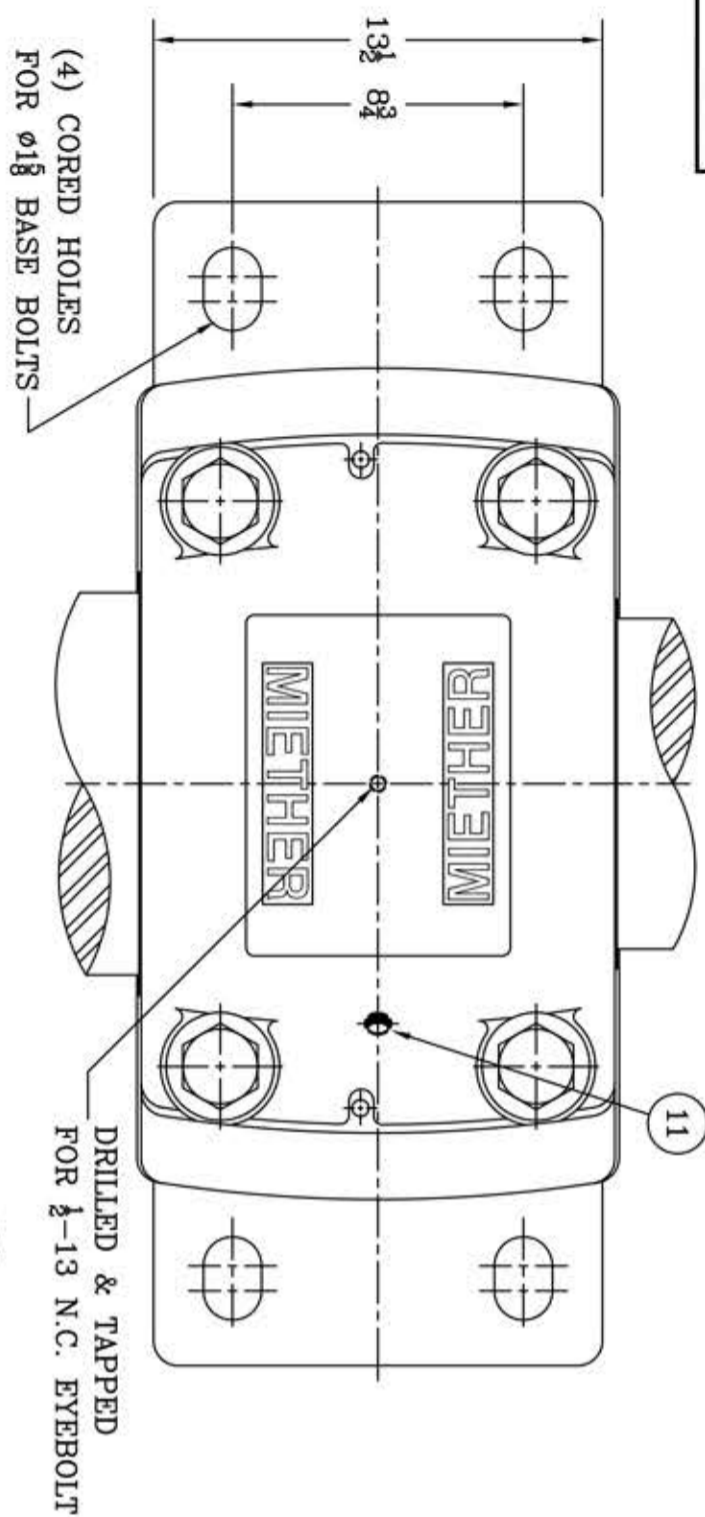
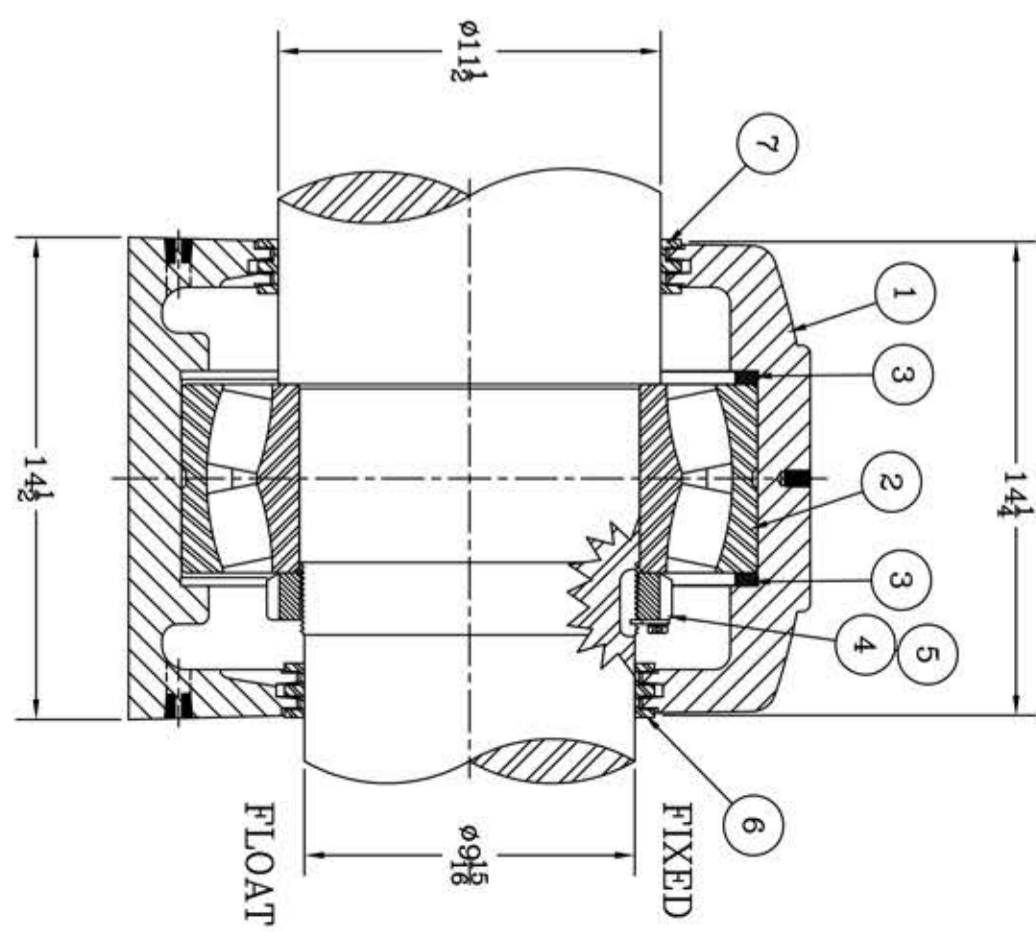


This drawing is the sole property of Miether Bearing Products and contains confidential and proprietary information. It is being provided to you for your use and may not be disclosed to any third party or used for any other purpose without Miether's prior written consent. The [materials] must be returned to the Company upon its demand. Your acceptance of these materials constitutes your acceptance of the foregoing terms.

C-20357



ITEM	DESCRIPTION	DETAIL	REQUIRED
1	HOUSING SDAF 3152	C-20378-R	1 1
2	SPHERICAL ROLLER BEARING	23152/W-33	1 1
3	STABILIZING RING A5679	A-15611	2 0
4	LOCKNUT N-052	B-10049	1 1
5	LOCK PLATE P-52	A-10141	1 1
6	TRIPLE SEAL RING ER-845	A-15755	1 1
7	TRIPLE SEAL RING ER-832	A-11716	1 1
8	DOWEL	$\phi 3/8$ x 1" LONG	2 2
9	CAP BOLT HEX. HEAD	$1 1/2$ -6 NC x 10" LONG	4 4
10	LOCKWASHER	$1 1/2$ SPLIT MED.	4 4
11	PIPE PLUG	$1/2$ -14 NPT	5 5



REDRAWN FOR CONFORMITY RWB per KAB 10-1-04

REDRAWN TO SCALE ON COMP. by RWB per KAB 9-19-97

REVISIONS

SYMBOL	MICRO-INCH VALUE	DESCRIPTION
V	16	ANGLES $\pm 0^\circ 30'$
D	32	WELD $\pm 1/16"$
E	63	CASTING $\pm 1/16"$
F	125	DECIMALS $\pm 1/32"$
G	250	FRACTIONS $\pm 1/32"$
J	500	FRAC. DECIMALS $\pm .005$
K	1000	CASTING $\pm 1/16"$

AN ALCO INDUSTRIES COMPANY
ODESSA, TX. USA

SDAF 23152	11-08 x 09-15
ASSEMBLY DRAWING	
SCALE 1 = 4	ASSEMBLY NO.
DRAWN BAB	
DATE 10-2-89	DRAWING NO.
CHK:	C-20357