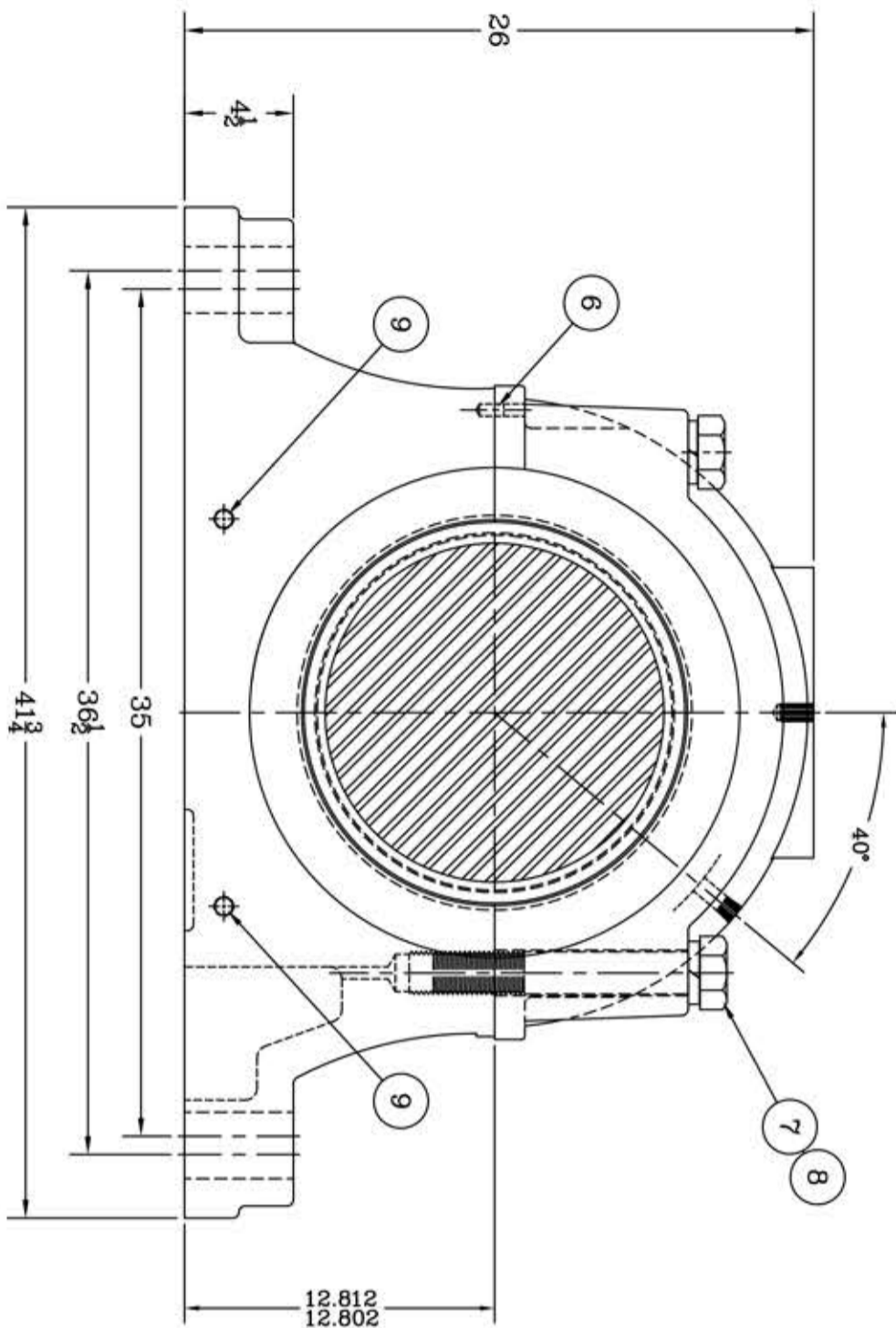
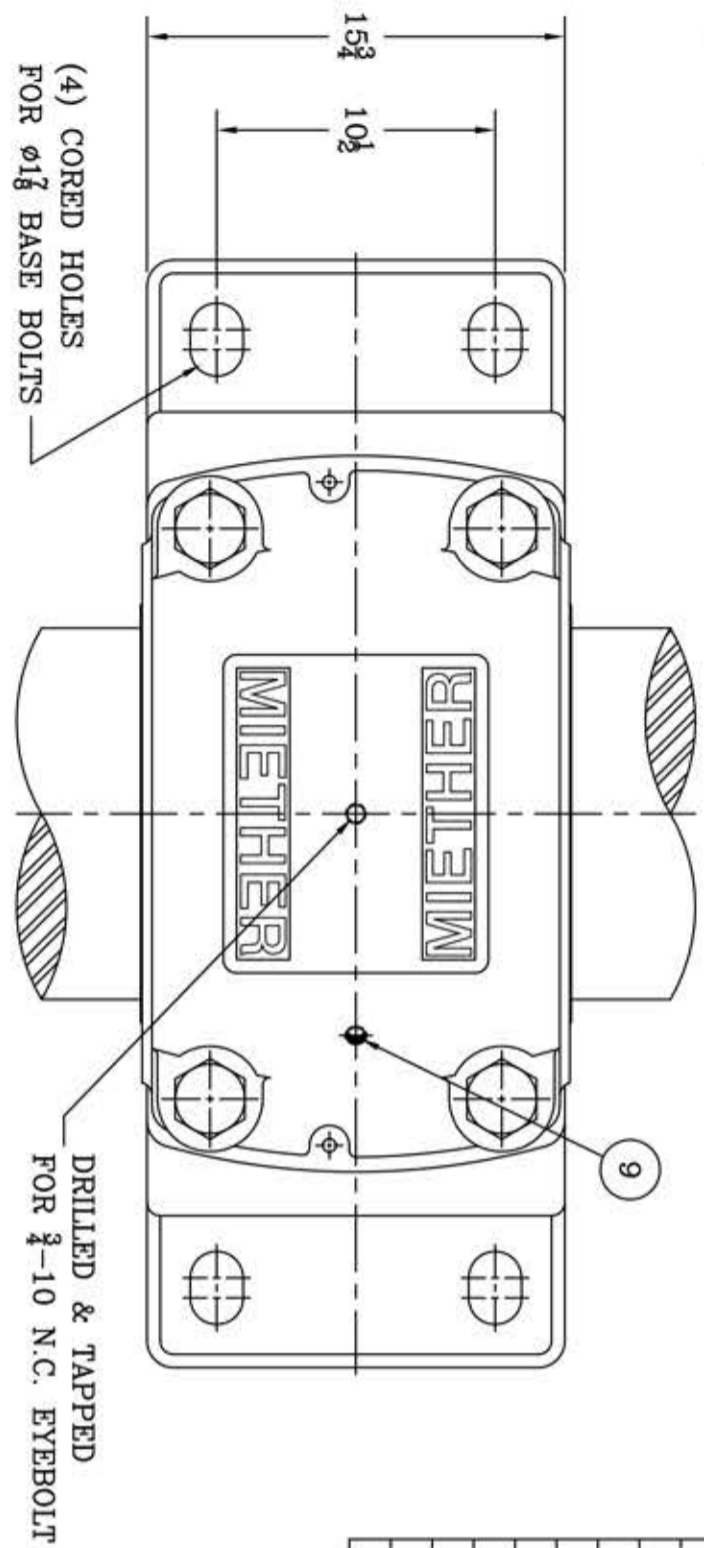
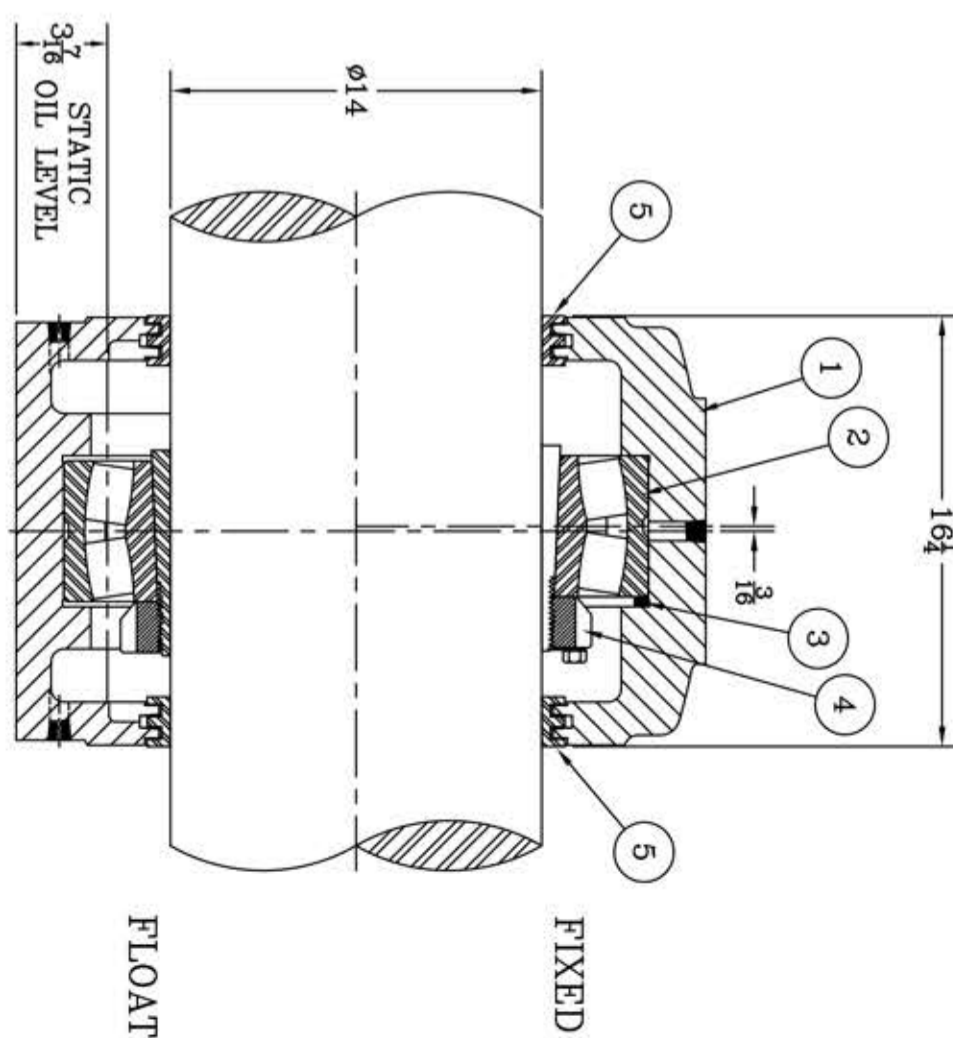


This drawing is the sole property of Miether Bearing Products and contains confidential and proprietary information. It is being provided to you for your use and may not be disclosed to any third party or used for any other purpose without Miether's prior written consent. The [materials] must be returned to the Company upon its demand. Your acceptance of these materials constitutes your acceptance of the foregoing terms.

C-11759



ITEM	DESCRIPTION	DETAIL	REQUIRED
1	HOUSING SDAF 076K 14-00	C-10915	1 1
2	SPHERICAL ROLLER BEARING	23076K/33	1 1
3	STABILIZING RING A-8971	A-10921	1 0
4	ADAPTER SNP 3076 14-00	01326	1 1
5	TRIPLE SEAL RING ER-876	A-10760	2 2
6	DOWEL	Ø 1/2 x 1" LONG	2 2
7	CAP BOLT HEX. HEAD	1 1/2-5 NC x 1 1/2" LONG	4 4
8	LOCKWASHER	1 1/2 SPLIT MED.	4 4
9	PIPE PLUG	1/2-14 NPT	5 5



REDRAWN FOR CONFORMITY RWB per KAB 10-6-04
 REDRAWN ON COMPUTER by FM 8-5-98

REVISIONS

SYMBOL	DESCRIPTION	DATE	BY
✓	16	32	63
✓	32	63	125
✓	63	125	250
✓	125	250	500
✓	500	500	1000

TOLERANCE: UNLESS OTHERWISE SPECIFIED
 FRACTIONS ± 1/32"
 DECIMALS ± .005
 CASTING ± 1/16"
 WELD ± 1/16"
 ANGLES ± 0° 30'

A.I.S.I. STANDARD FINISHES

AN ALCO INDUSTRIES COMPANY
 BEARING PRODUCTS
 ODESSA, TX. USA

SDAF 23076 K 14-00	ASSEMBLY DRAWING
SCALE 1 = 5	ASSEMBLY NO.
DRAWN REB	DRAWING NO.
DATE 9/28/67	C-11759
CHK:	