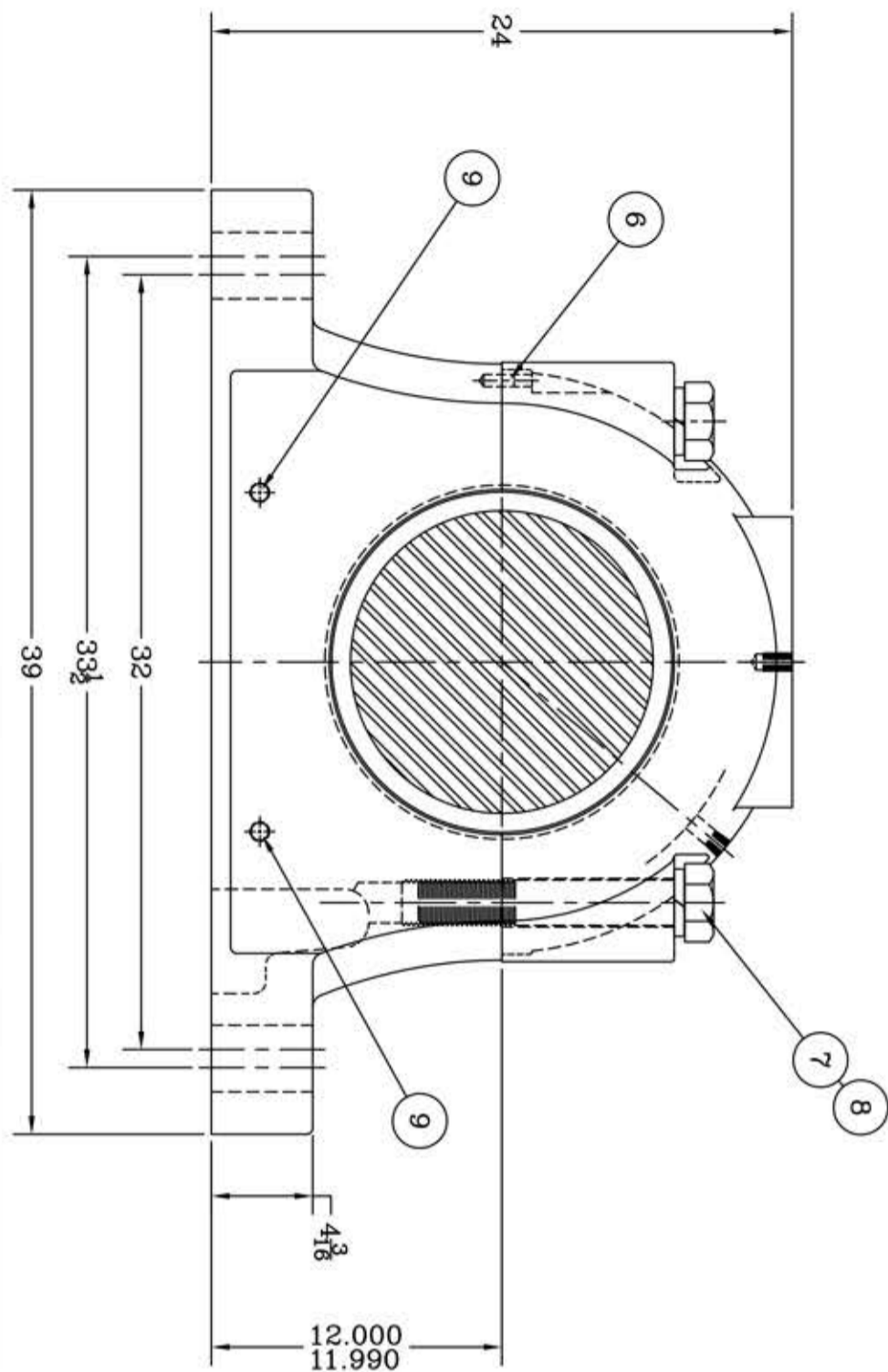
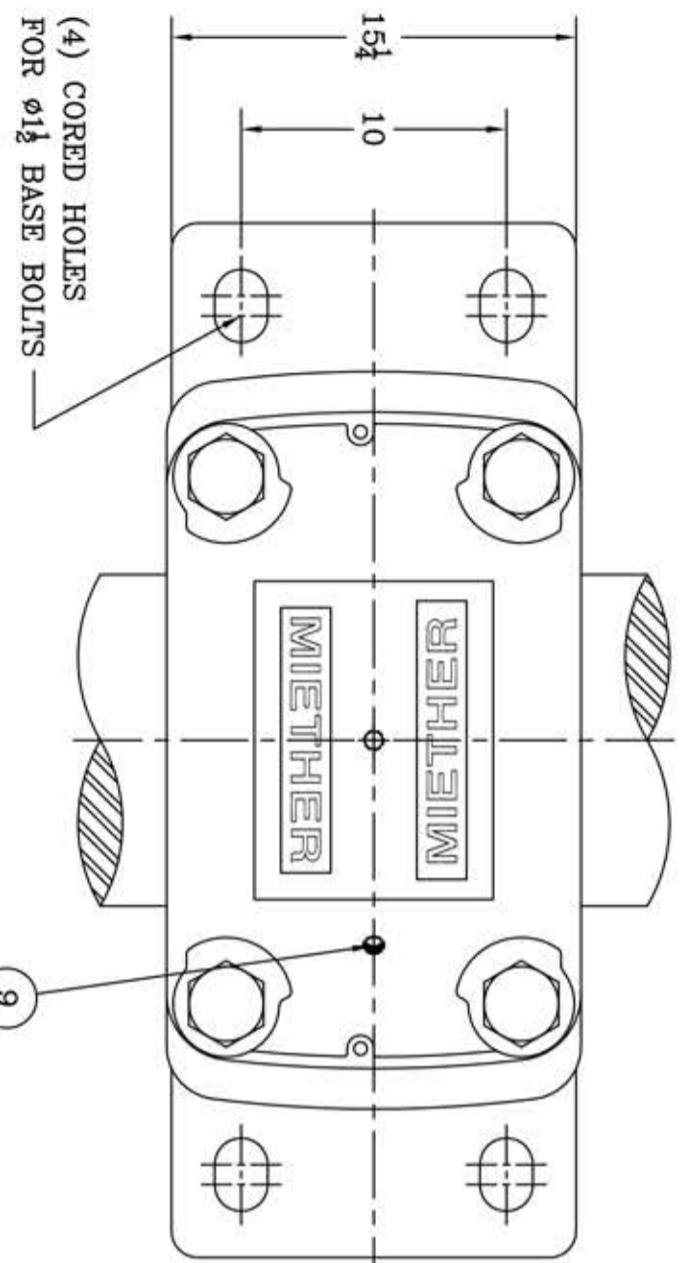
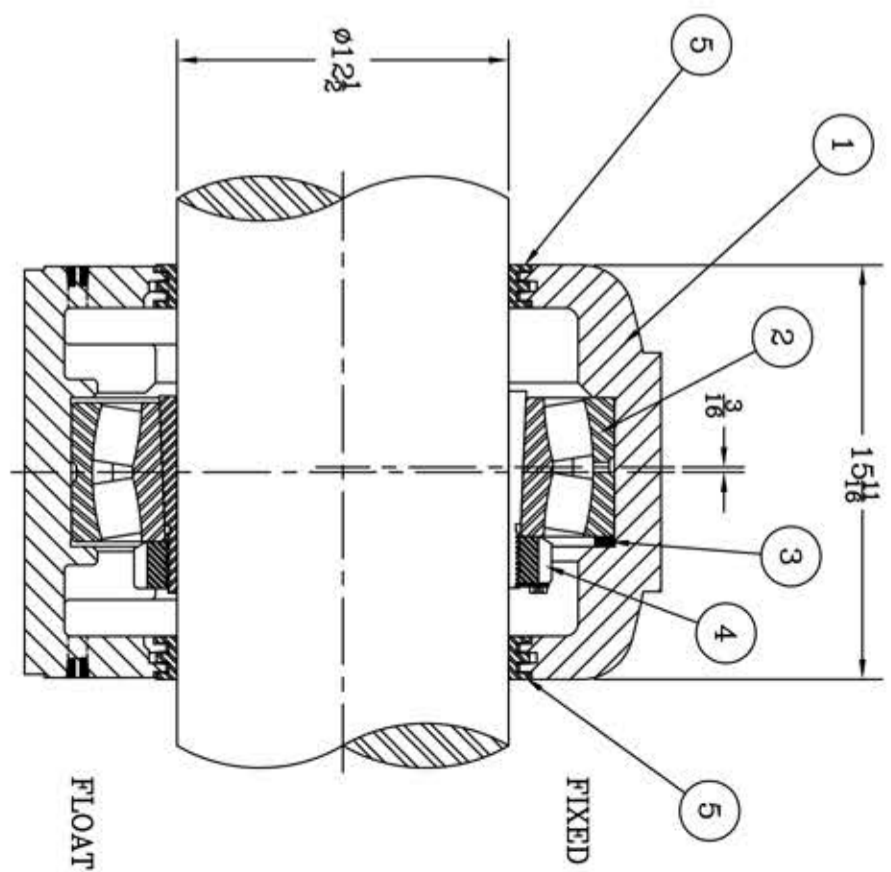


This drawing is the sole property of Miether Bearing Products and contains confidential and proprietary information. It is being provided to you for your use and may not be disclosed to any third party or used for any other purpose without Miether's prior written consent. The [materials] must be returned to the Company upon its demand. Your acceptance of these materials constitutes your acceptance of the foregoing terms.

C-27098



ITEM	DESCRIPTION	DETAIL	REQUIRED
1	HOUSING SDAF 068 K 12-08	C-21048	1 1
2	SPHERICAL ROLLER BEARING	23068 K/W33	1 1
3	STABILIZING RING A-8969	A-11301	1 0
4	ADAPTER SNP-3068 12-08		1 1
5	TRIPLE SEAL RING ER-866	A-11299	2 2
6	DOWEL	$\phi 1/2$ X 1" LG	2 2
7	CAP BOLT HEX. HEAD GR.2	1 1/2-5 NC X 1 1/2" LONG	4 4
8	LOCKWASHER	1 1/8 SPLIT MED.	4 4
9	PIPE PLUG	1/2-14 NPT	5 5



DWG# WAS
C-27098-R
REDRAWN
KAB 8-28-08

REVISIONS	
SYMBOL	DESCRIPTION
✓	16
✓	32
✓	63
✓	125
✓	250
✓	500
✓	1000

TOLERANCE: UNLESS OTHERWISE SPECIFIED
 FRACTIONS $\pm 1/32$ " ANGLES $\pm 0^\circ 30'$
 DECIMALS $\pm .005$ WELD. $\pm 1/16$ "
 CASTING $\pm 1/16$ "
 A.I.S.I. STANDARD FINISHES

SDAF 23068 K 12-08
 ASSEMBLY DRAWING
 SCALE 1 = 5
 DRAWN OMI
 DATE 5/3/02
 CHECK: C-27098

