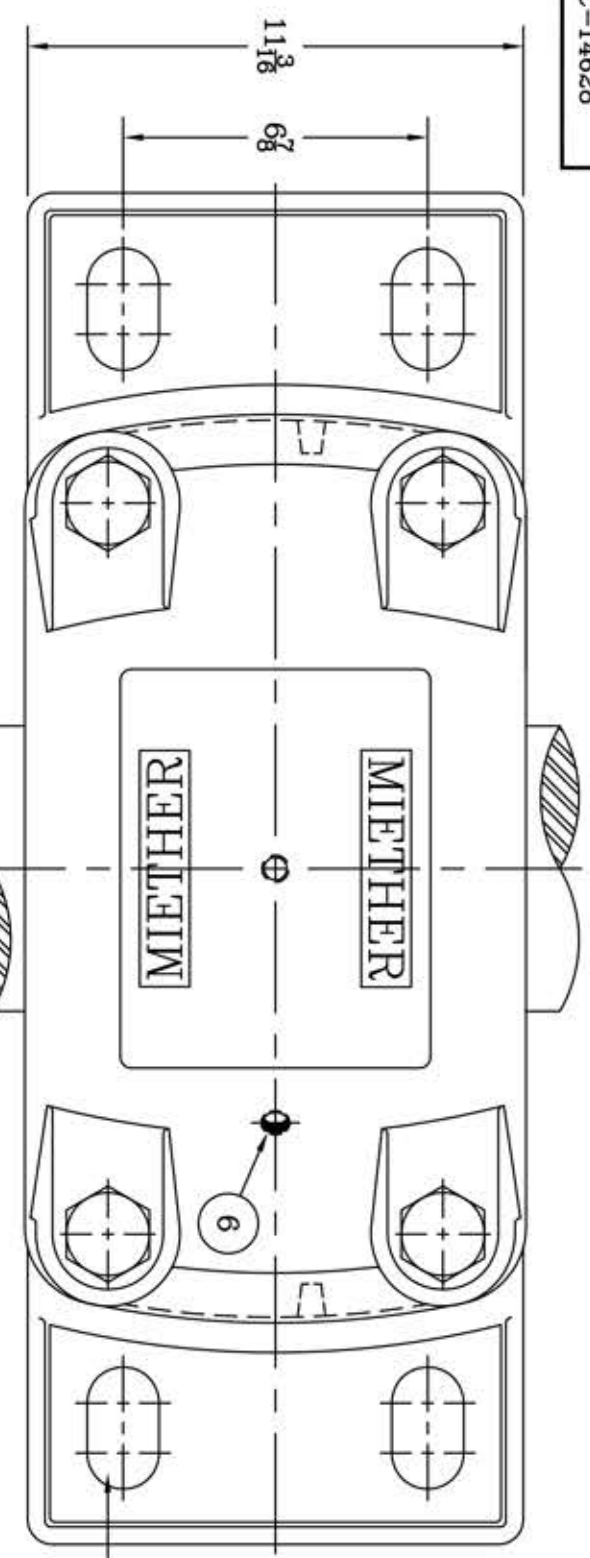


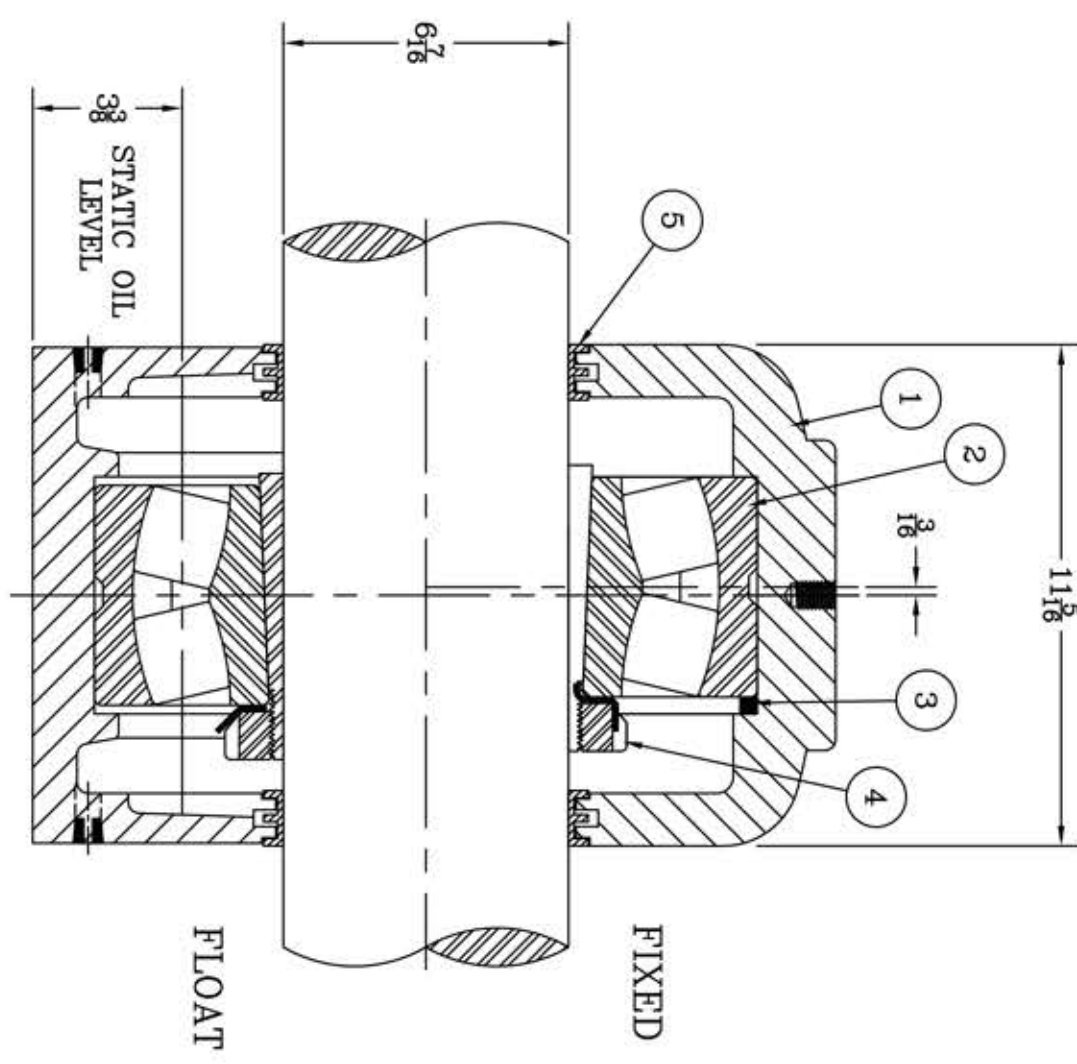
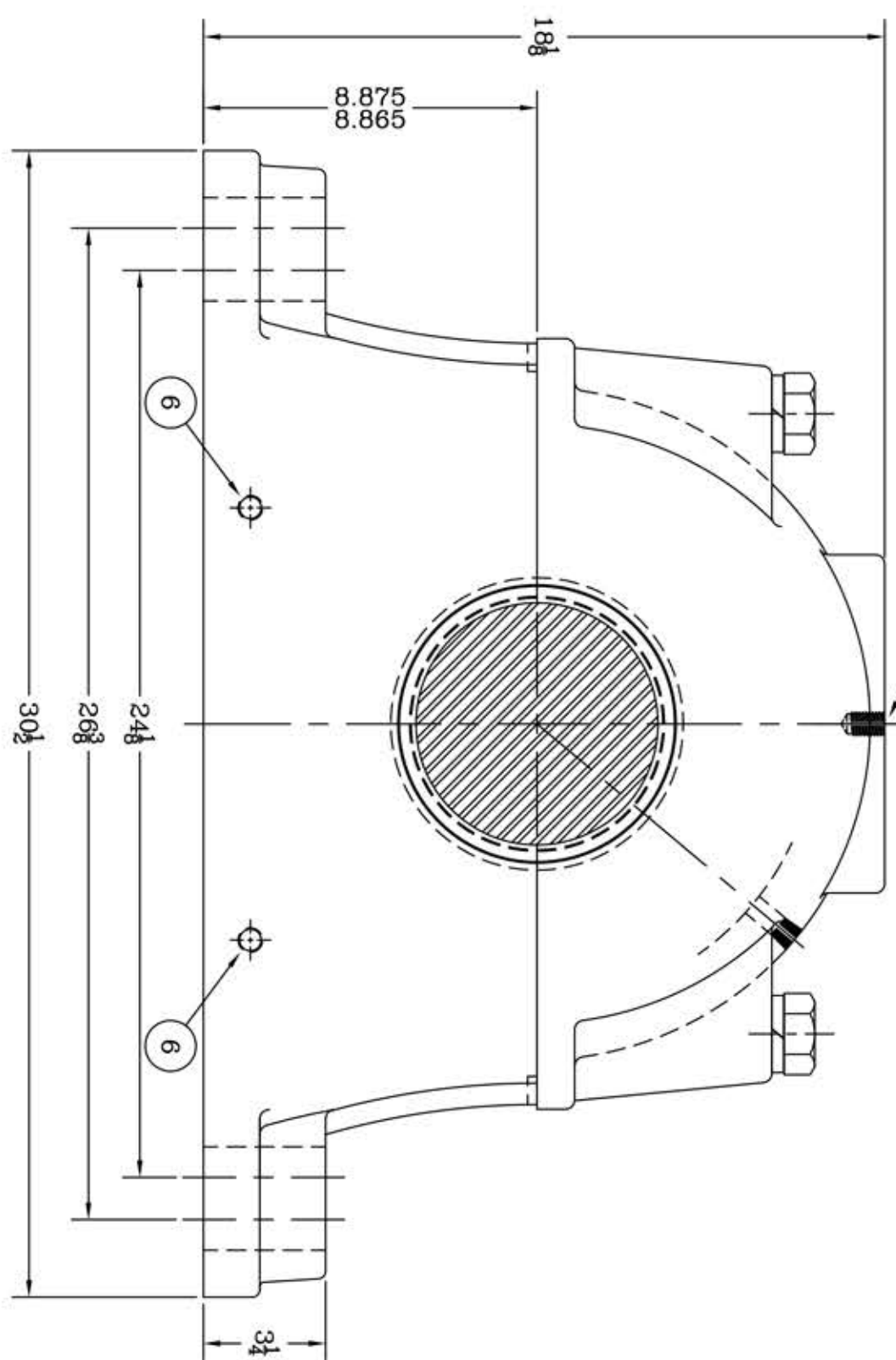
This drawing is the sole property of Miether Bearing Products and contains confidential and proprietary information. It is being provided to you for your use and may not be disclosed to any third party or used for any other purpose without Miether's prior written consent. The [materials] must be returned to the Company upon its demand. Your acceptance of these materials constitutes your acceptance of the foregoing terms.

C-14628



(4) CORED HOLES FOR
1 1/2" Ø BASE BOLTS

TAPPED FOR 5/8-11 NC
EYEBOLT (1 PLACE TDC)



ITEM	DESCRIPTION	DETAIL	PER UNIT
			EXD. ETT.
1	HOUSING SDAF 636	C-15262	1 1
2	SPHERICAL ROLLER BEARING	22336K/W-33	1 1
3	STABILIZING RING SR-0-36	A-11459	1 0
4	ADAPTER SNW 136 06-07	B-24474	1 1
5	TRIPLE SEAL RING LER-220	A-15435	2 2
6	PIPE PLUG	3-18 NPT	5 5

REDRAWN ON COMPUTER
TO SCALE W/CHANGES
by RWB 7-2-98

REVISIONS

SYMBOL	MICRO-INCH VALUE	DESCRIPTION
✓	16	
∇	32	
∇	63	
∇	125	
∇	250	
∇	500	
∇	1000	

TOLERANCE: UNLESS OTHERWISE SPECIFIED
FRACTIONS $\pm 1/32"$ ANGLES $\pm 0^\circ 30'$
DECIMALS $\pm .005"$ WELD $\pm 1/16"$
CASTING $\pm 1/16"$
A.I.S.I. STANDARD FINISHES

SDAF 22636 06-07	ASSEMBLY DRAWING
SCALE 1 = 3	ASSEMBLY NO.
DRAWN CJ	DRAWING NO.
DATE 1-7-77	CHK: C-14628

