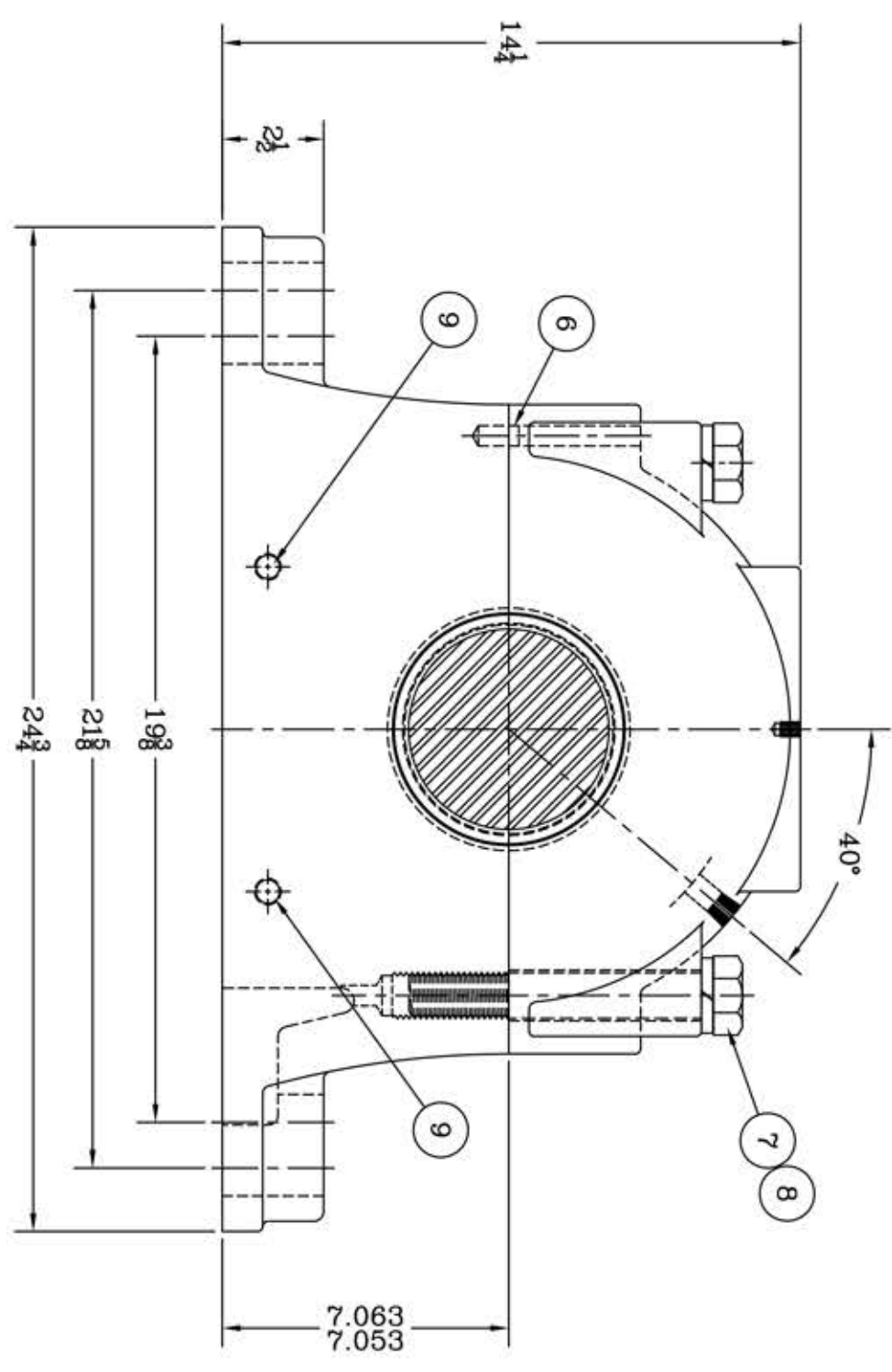
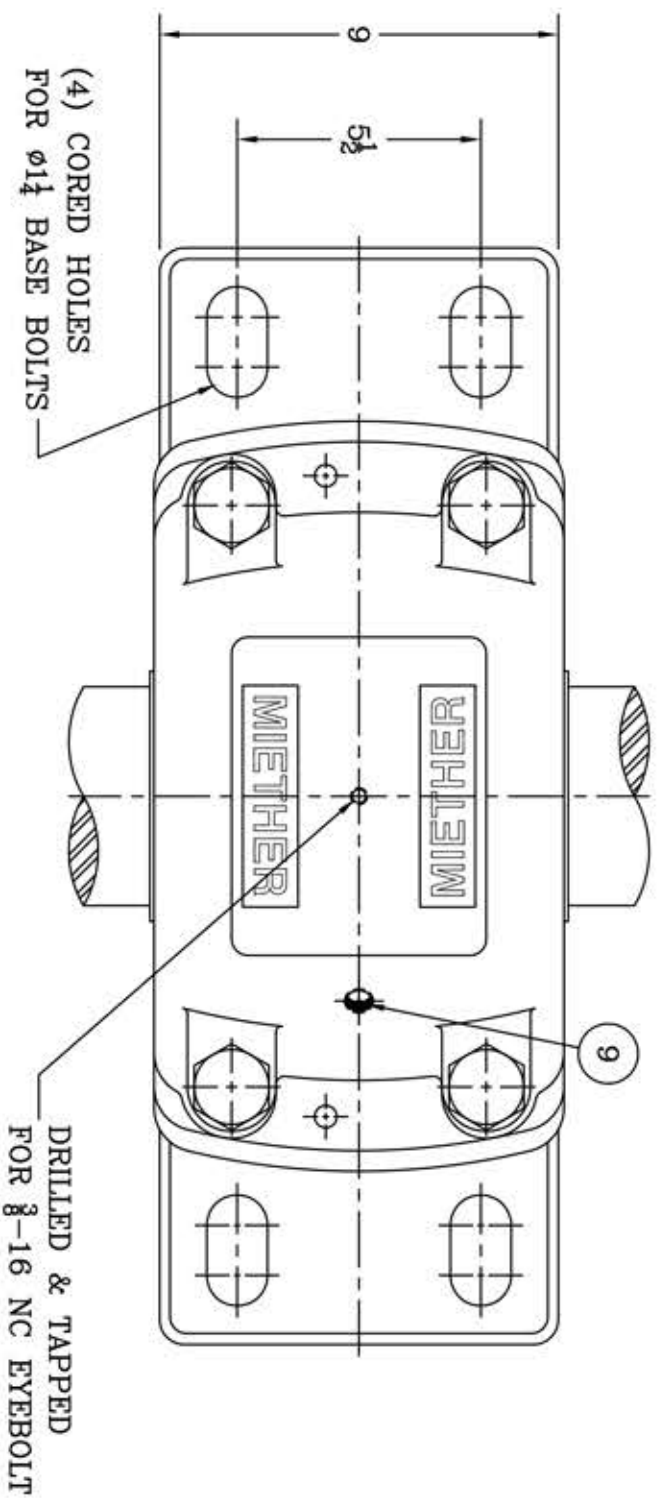
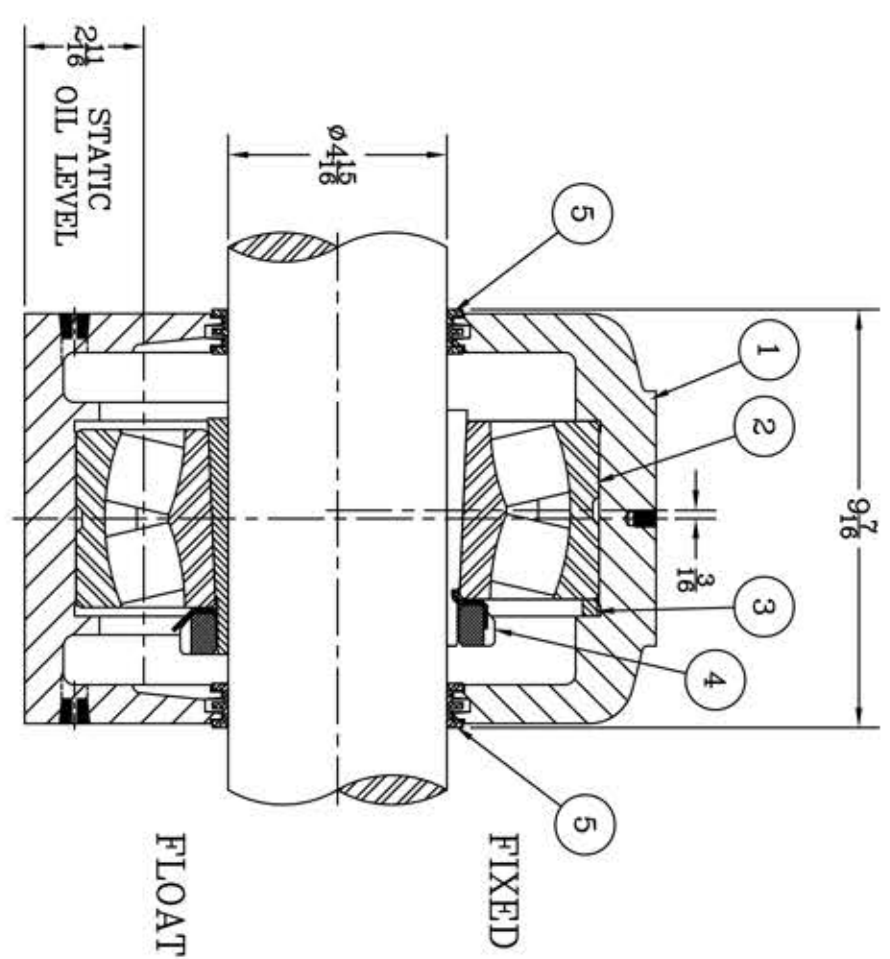


This drawing is the sole property of Miether Bearing Products and contains confidential and proprietary information. It is being provided to you for your use and may not be disclosed to any third party or used for any other purpose without Miether's prior written consent. The [materials] must be returned to the Company upon its demand. Your acceptance of these materials constitutes your acceptance of the foregoing terms.

C-14624



ITEM	DESCRIPTION	DETAIL	REQUIRED
1	HOUSING SDAF 628	C-15258	1 1
2	SPHERICAL ROLLER BEARING	22328K/W-33	1 1
3	STABILIZING RING SR-0-28	A-10669	1 0
4	ADAPTER SNW-128 04-15		1 1
5	TRIPLE SEAL RING LER-122	A-10499	2 2
6	DOWEL	Ø 1/2 x 1" LONG	2 2
7	CAP BOLT HEX. HEAD	1 1/8-7 NC x 7 1/2 LONG	4 4
8	LOCKWASHER	1 1/8 SPLIT MED.	4 4
9	PIPE PLUG	3/8-18 NPT	5 5



REDRAWN ON COMPUTER  
AR per KAB  
8-19-04

REVISIONS

SYMBOL	MICRO-INCH VALUE	DESCRIPTION
✓	16	
∇	32	
∇	63	
∇	125	
∇	250	
∇	500	
∇	1000	

TOLERANCE: UNLESS OTHERWISE SPECIFIED  
FRACTIONS ± 1/32" ANGLES ± 0° 30'  
DECIMALS ± .005" WELD ± 1/16"  
CASTING ± 1/16"

A.I.S.I. STANDARD FINISHES

SDAF 22628 04-15  
ASSEMBLY DRAWING

SCALE 1 = 3 ASSEMBLY NO.

DRAWN CJ

DATE 9/24/73 DRAWING NO. C-14624

CHK:

