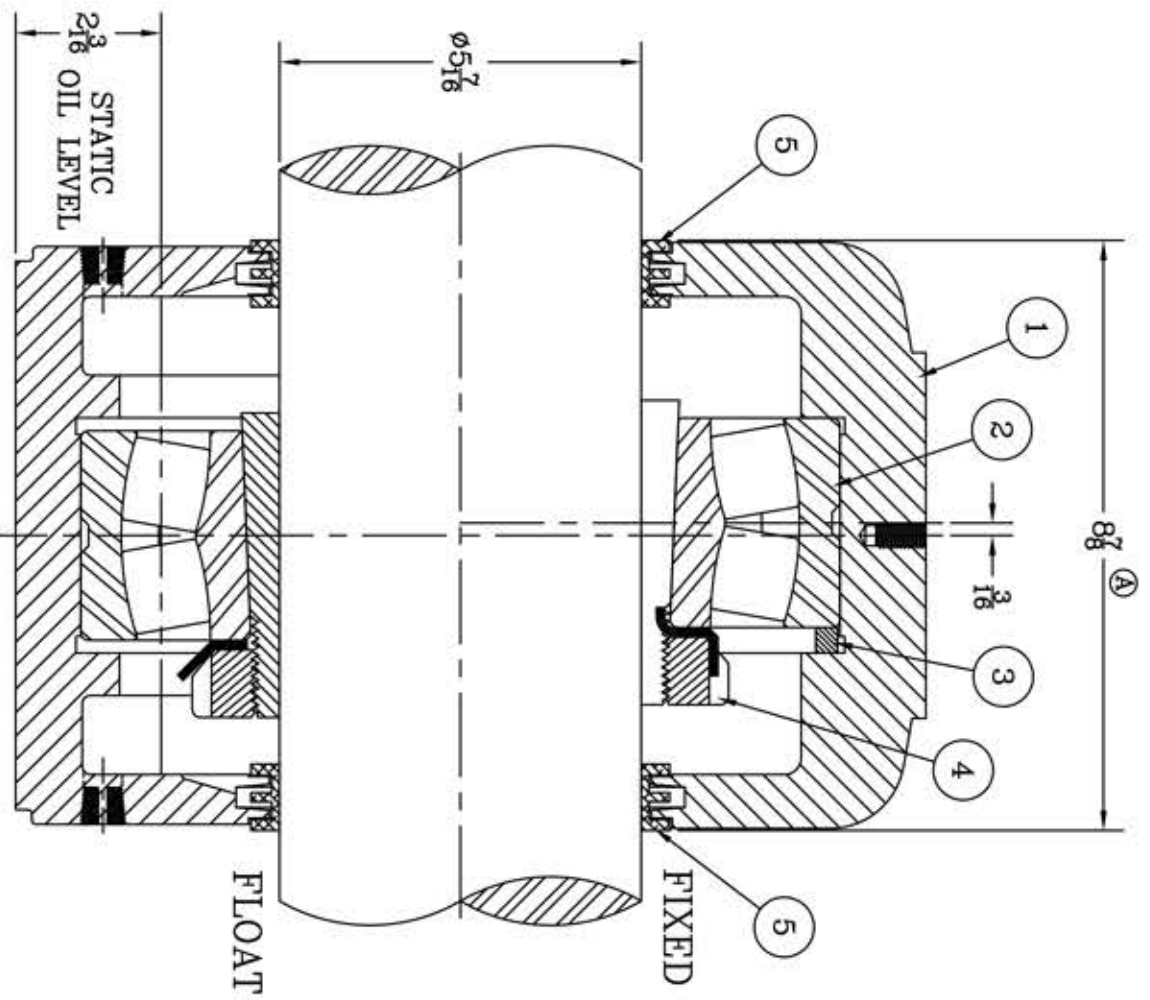
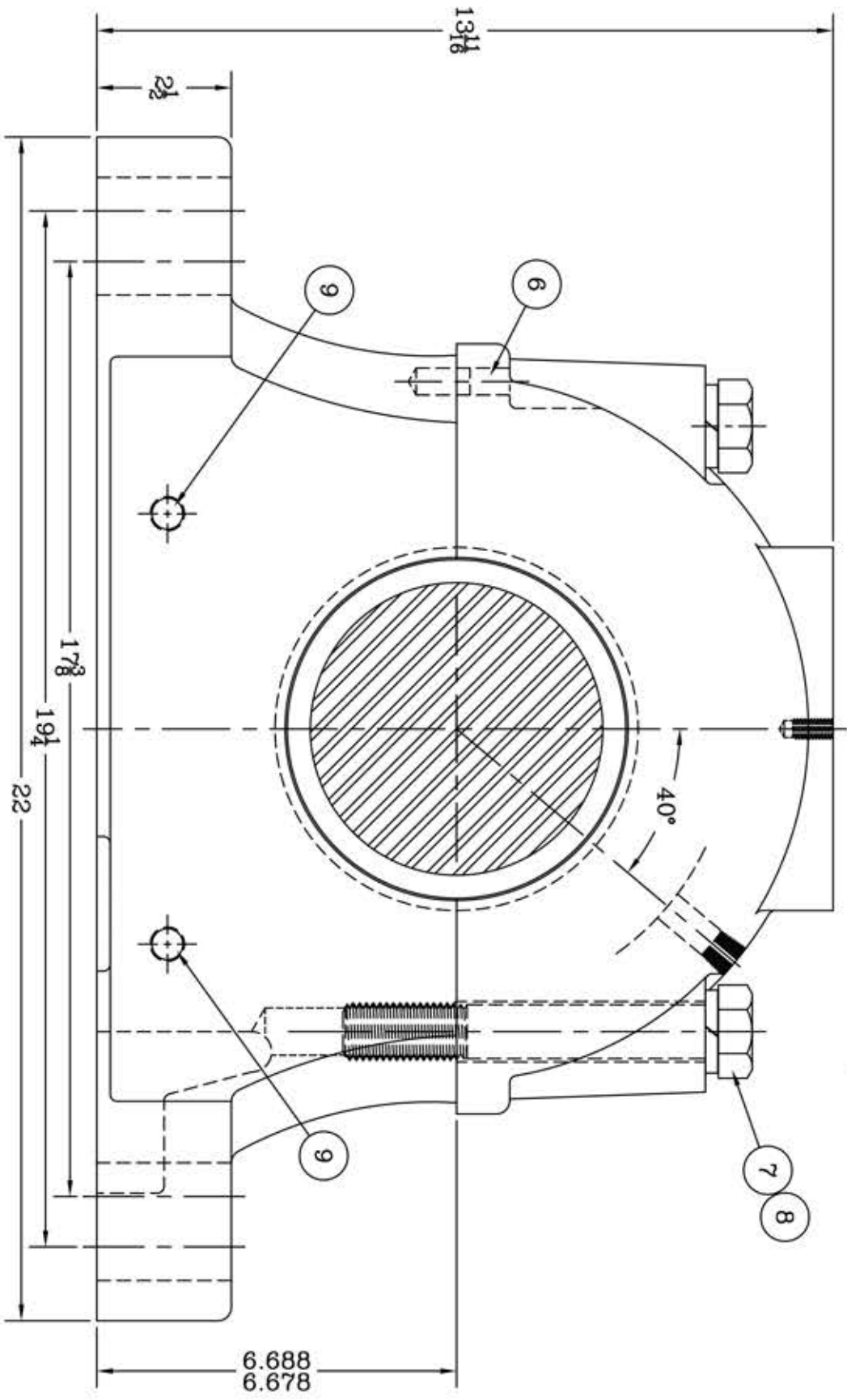
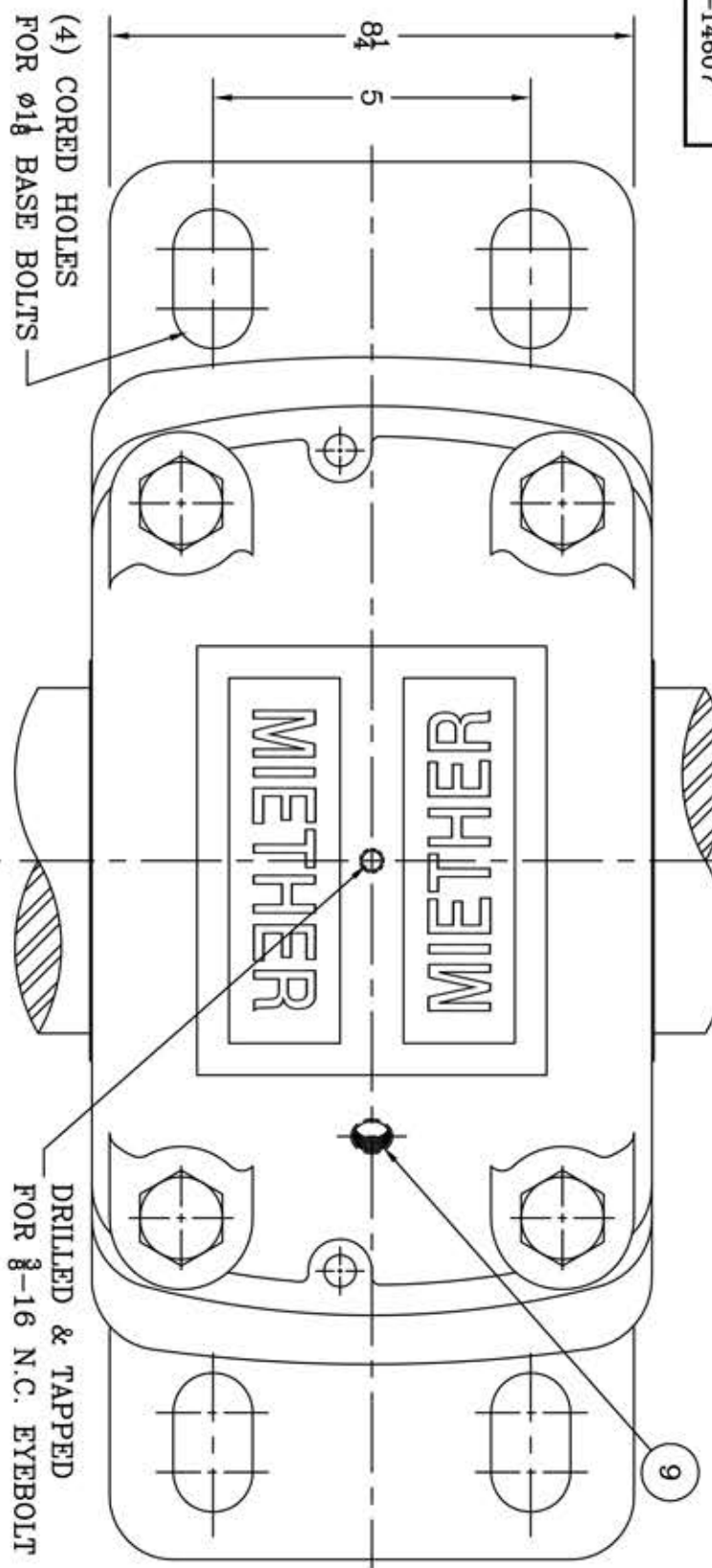


This drawing is the sole property of Miether Bearing Products and contains confidential and proprietary information. It is being provided to you for your use and may not be disclosed to any third party or used for any other purpose without Miether's prior written consent. The [materials] must be returned to the Company upon its demand. Your acceptance of these materials constitutes your acceptance of the foregoing terms.

C-14607



ITEM	DESCRIPTION	DETAIL	REQUIRED
1	HOUSING SDAF 532 05-07	C-15241-R	1 1
2	SPHERICAL ROLLER BEARING	22232K/W-33	1 1
3	STABILIZING RING SR-32-0	A-10608	1 0
4	ADAPTER SNW-32 05-07	24443	1 1
5	TRIPLE SEAL RING LER-130	A-10582	2 2
6	DOWEL	$\phi 1/2$ x 1" LONG	2 2
7	CAP BOLT HEX. HEAD	1-8 NC x 7" LONG	4 4
8	LOCKWASHER	1" SPLIT MED.	4 4
9	PIPE PLUG	3/8-18 NPT	5 5

REVISIONS

SYMBOL	DESCRIPTION
C	WIDTH WAS 8 3/4 RWB per KAB 7-30-04
D	REDRAWN FOR CONFORMITY RWB per KAB 7-22-04
E	
F	
G	
J	
K	

TOLERANCE: UNLESS OTHERWISE SPECIFIED

FRACTIONS  $\pm 1/32$ " ANGLES  $\pm 0^\circ 30'$

DECIMALS  $\pm .005$  WELD  $\pm 1/16$ "

CASTING  $\pm 1/16$ "

A.I.S.I. STANDARD FINISHES

AN ALCO INDUSTRIES COMPANY  
BEARING PRODUCTS  
ODESSA, TX. USA

SDAF 22532 05-07  
ASSEMBLY DRAWING

SCALE HALF  
DRAWN CJ  
DATE 3/17/72  
CHK:

ASSEMBLY NO.  
DRAWING NO. C-14607