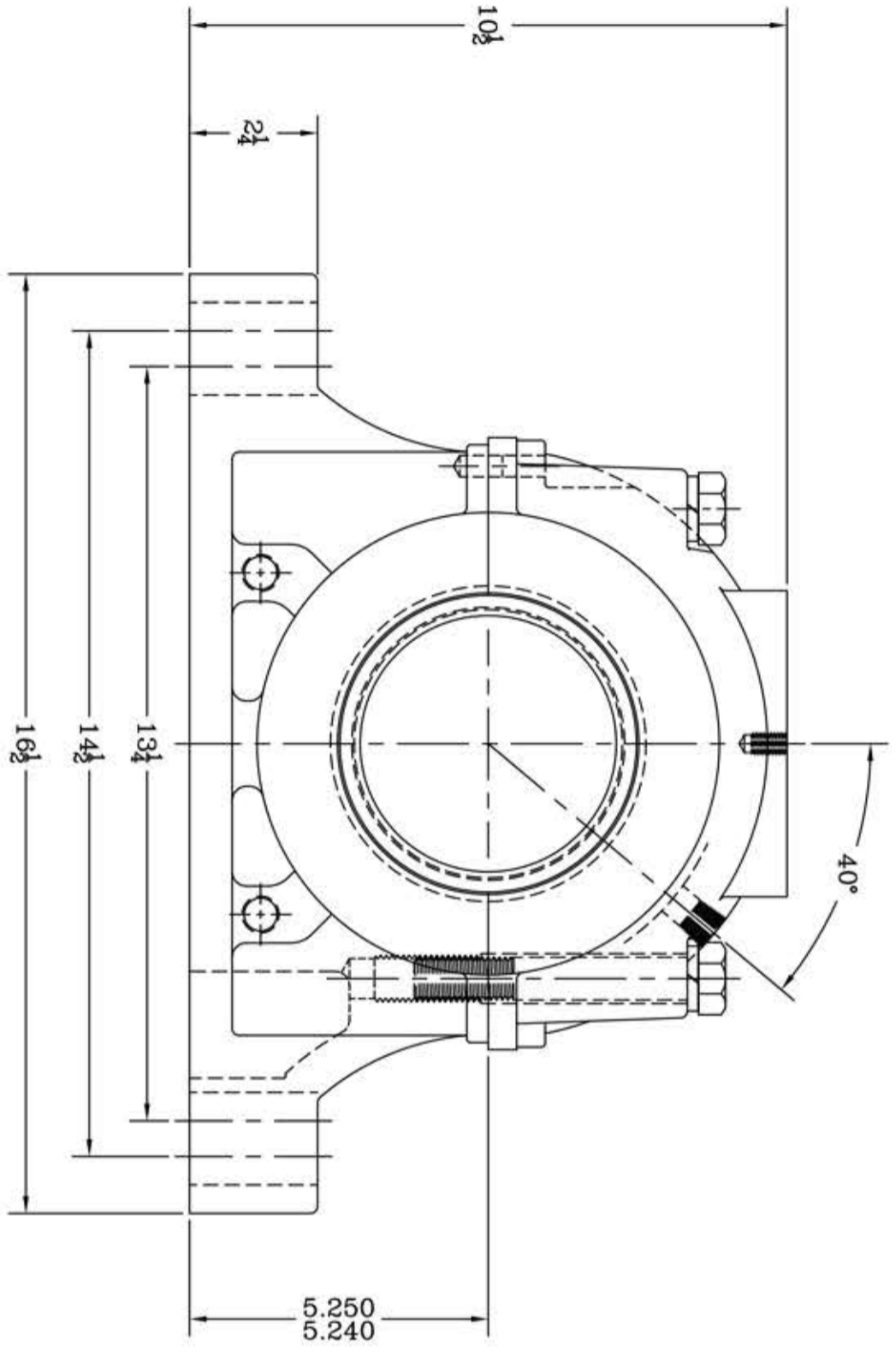
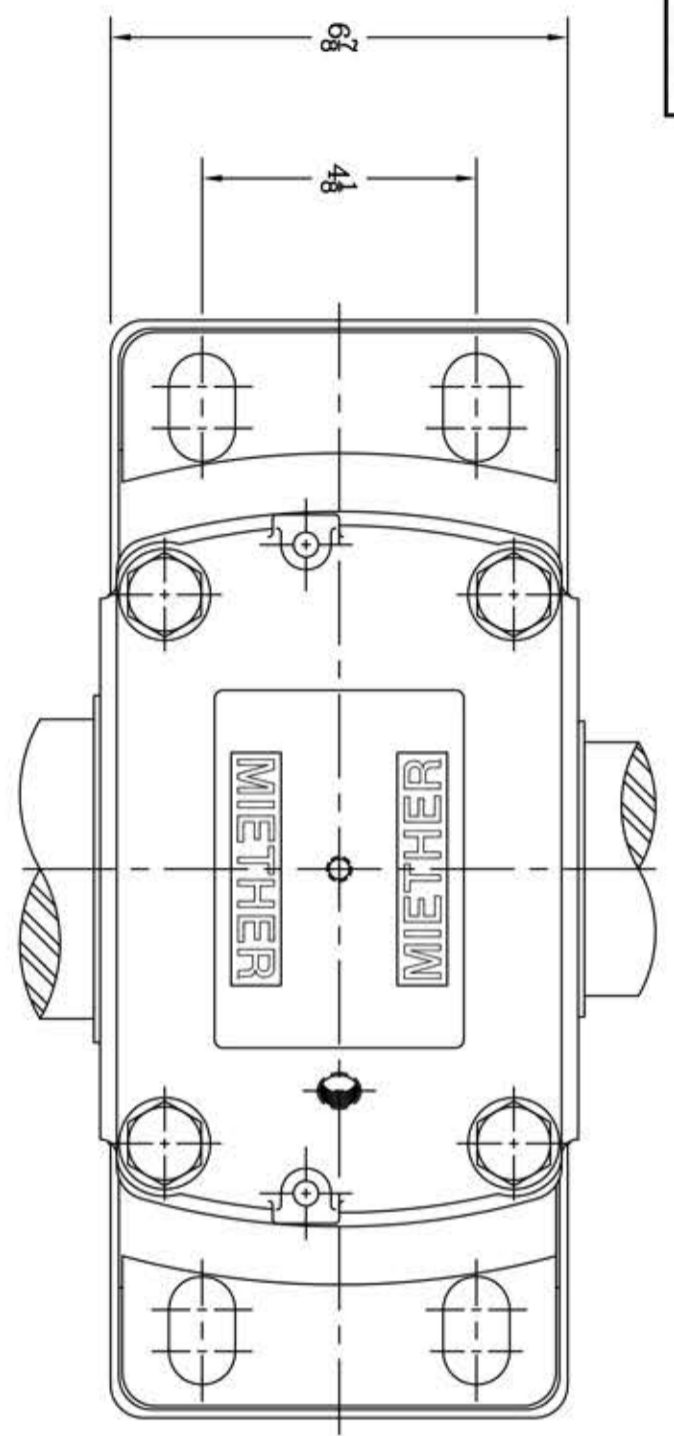
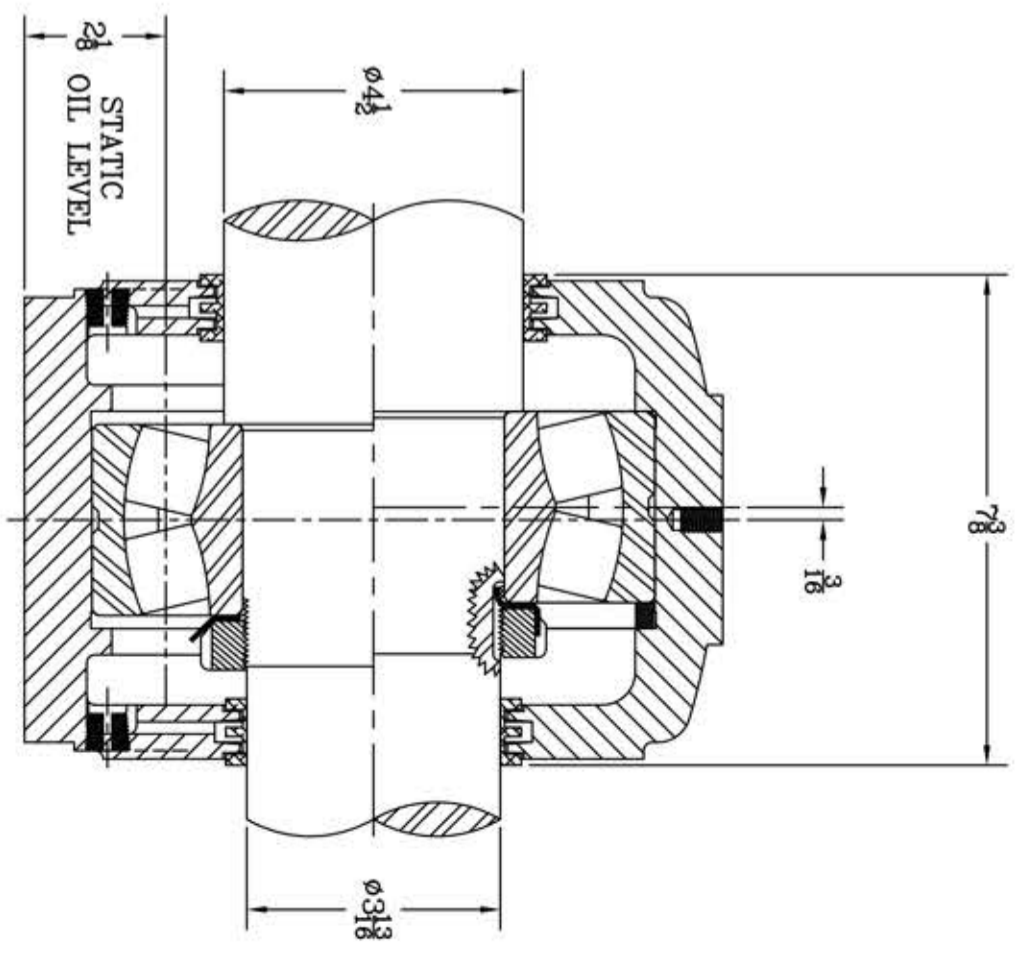


C-14586



ITEM	DESCRIPTION	DETAIL	REQUIRED
1	HOUSING SDAF 320	C-13666	1 1
2	SPHERICAL ROLLER BEARING	22320/W-33	1 1
3	STABILIZING RING	SR-24-20 A-10604	1 0
4	LOCKNUT	AN-20 B-10785	1 1
5	LOCKWASHER	W-20 00244	1 1
6	TRIPLE SEAL RING	LER-106 A-10578	1 1
7	TRIPLE SEAL RING	LER-118 A-10498	1 1
8	DOWEL	$\phi 8$ x $\frac{3}{4}$ LONG	2 2
9	CAP BOLT HEX. HEAD	$\frac{3}{4}$ -10 NC x 5" LONG	4 4
10	LOCKWASHER	$\frac{3}{4}$ SPLIT MED.	4 4
11	PIPE PLUG	$\frac{3}{8}$ -18 NPT	5 5



This drawing is the sole property of Miether Bearing Products and contains confidential and proprietary information. It is being provided to you for your use and may not be disclosed to any third party or used for any other purpose without Miether's prior written consent. The [materials] must be returned to the Company upon its demand. Your acceptance of these materials constitutes your acceptance of the foregoing terms.

REDRAWN ON COMPUTER
RWB per KAB
8-11-04

REVISIONS

SYMBOL	DESCRIPTION
C	REVISION 16
D	REVISION 32
E	REVISION 63
F	REVISION 125
G	REVISION 250
J	REVISION 500
K	REVISION 1000

TOLERANCE: UNLESS OTHERWISE SPECIFIED

FRACTIONS $\pm 1/32$ ANGLES $\pm 30'$

DECIMALS $\pm .005$ WELD $\pm 1/16$

CASTING $\pm 1/16$

A.I.S.I. STANDARD FINISHES

AN ALCO INDUSTRIES COMPANY

ODESSA, TX USA

SDAF 22320 04-08 x 03-13

ASSEMBLY DRAWING

SCALE HALF

ASSEMBLY NO.

DRAWN CJ

DATE 1/17/72

DRAWING NO.

CHK.

C-14586