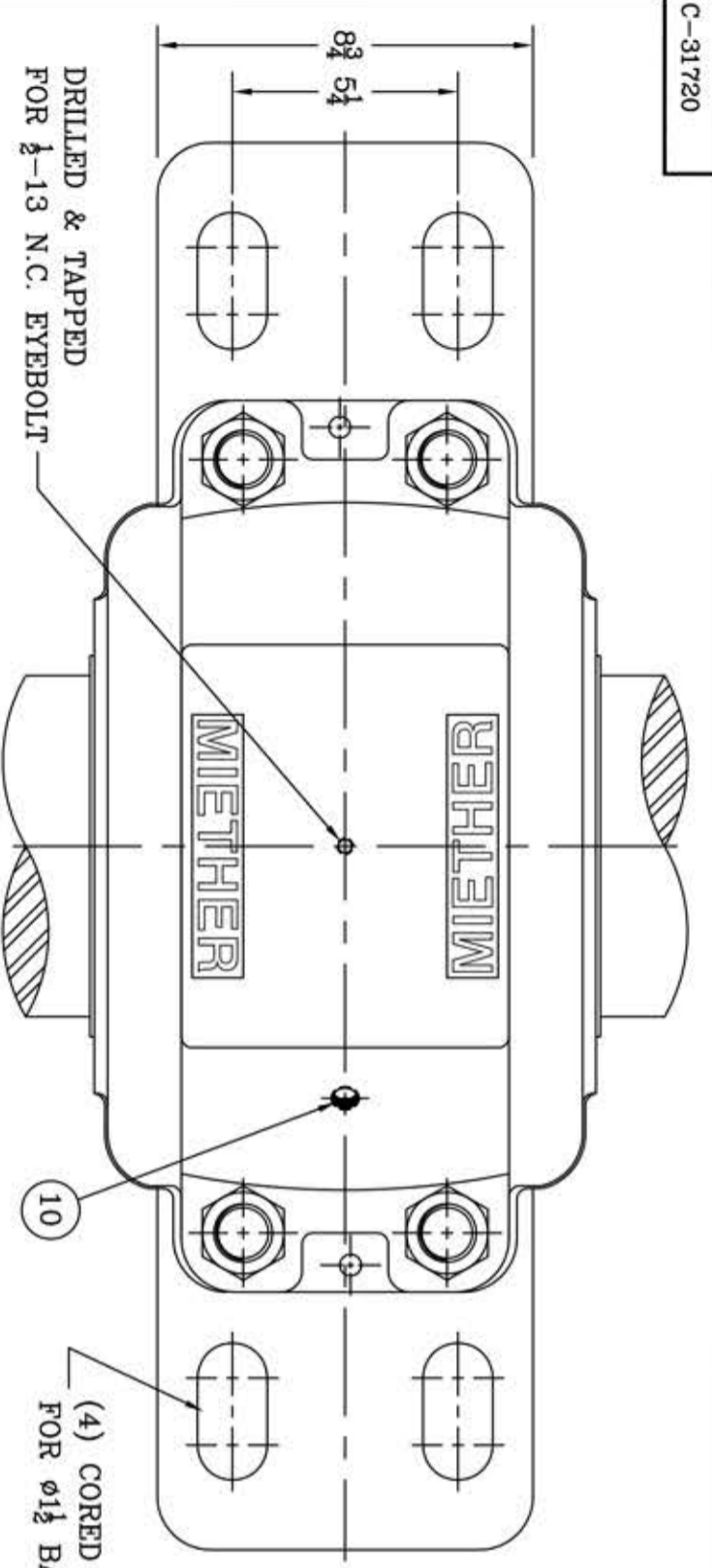
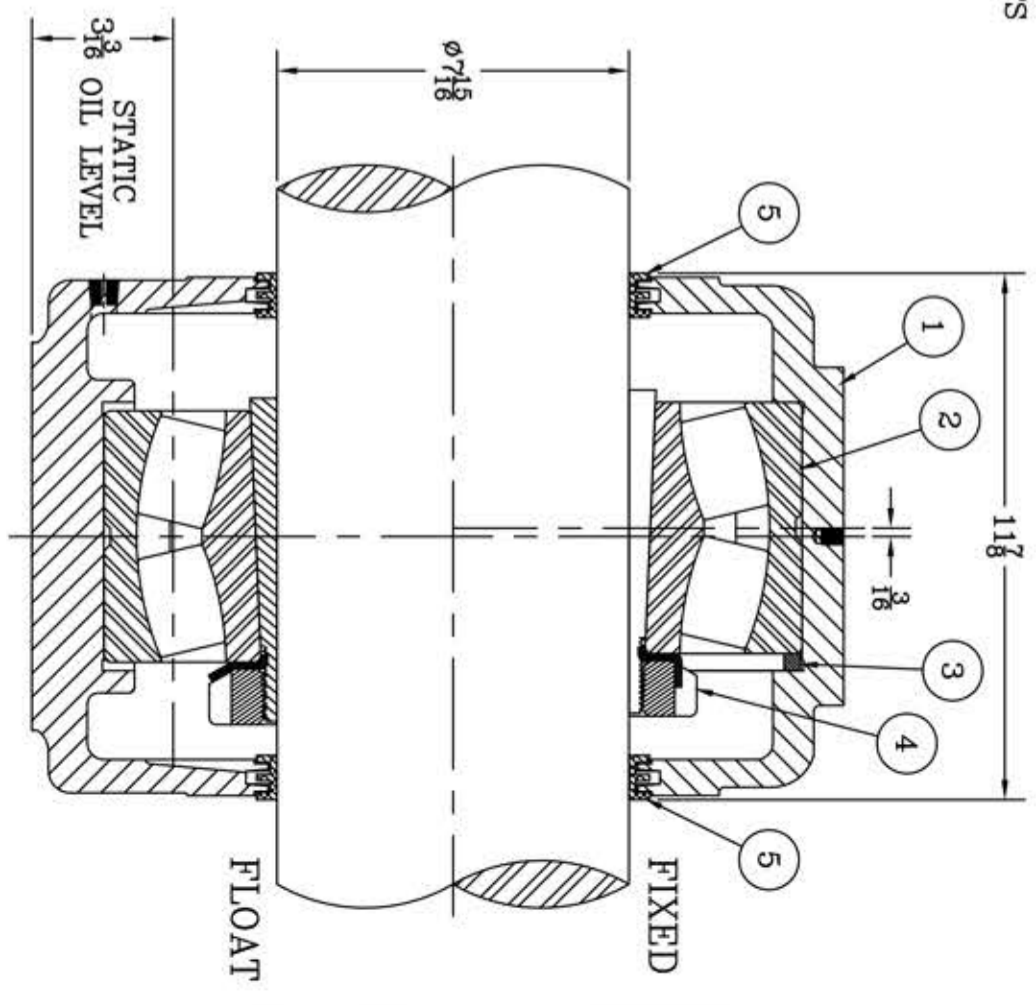
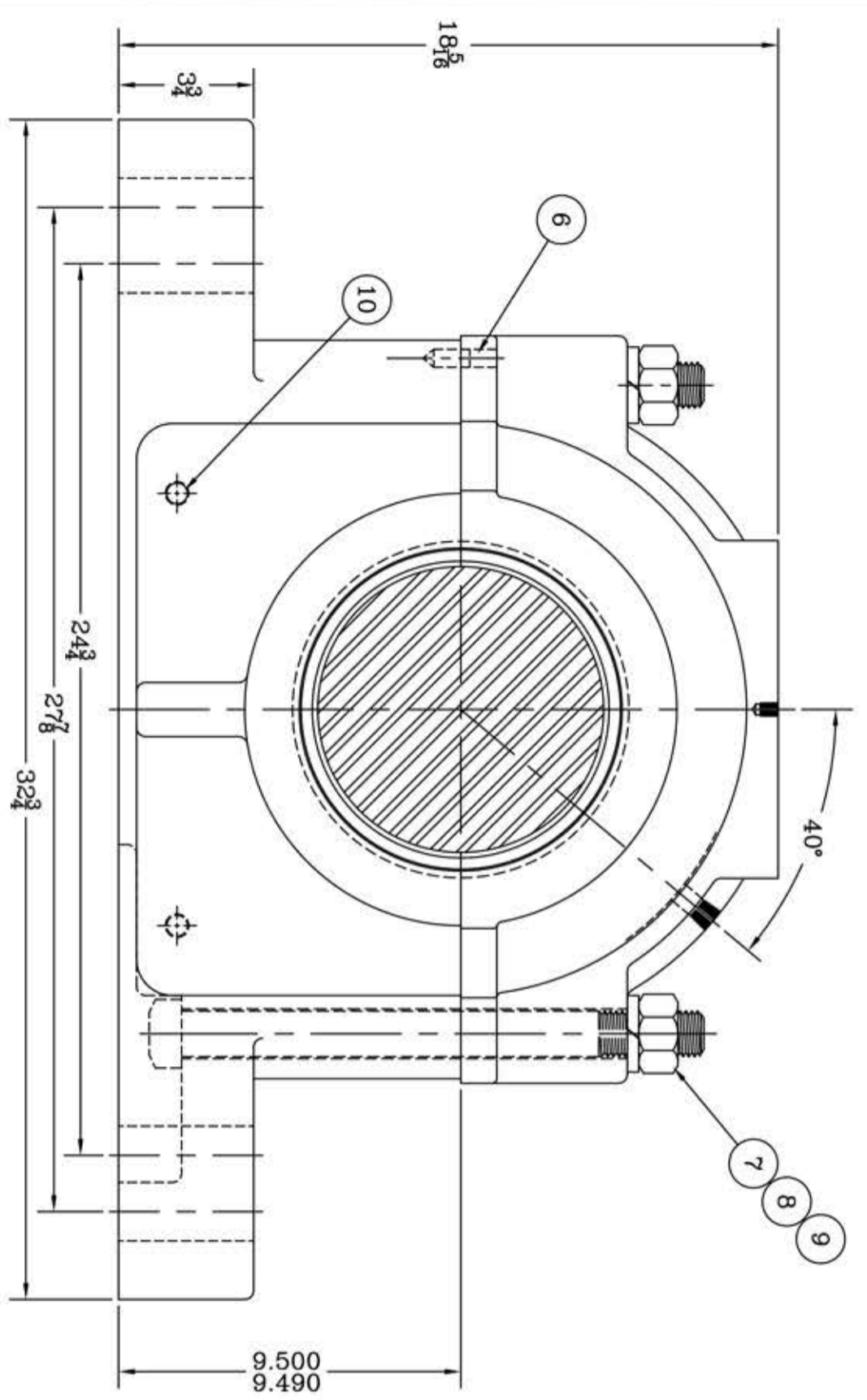


This drawing is the sole property of Miether Bearing Products and contains confidential and proprietary information. It is being provided to you for your use and may not be disclosed to any third party or used for any other purpose without Miether's prior written consent. The [materials] must be returned to the Company upon its demand. Your acceptance of these materials constitutes your acceptance of the foregoing terms.

C-31720



ITEM	DESCRIPTION	DETAIL	REQUIRED
1	HOUSING SAW 544 07-15	C-19500	1 1
2	SPHERICAL ROLLER BEARING	23244K/W-33	1 1
3	STABILIZING RING SR-44-38	A-10612	1 0
4	ADAPTER SNW 144 07-15	24480	1 1
5	TRIPLE SEAL RING LER-167	A-10591	2 2
6	DOWEL	ϕ 1/2 x 1" LONG	2 2
7	CAP BOLT SQUARE HEAD	1 1/4-7 NC x 15" LONG	4 4
8	CAP BOLT HEX. NUT	1 1/4- NC	4 4
9	LOCKWASHER	1 1/4 SPLIT MED.	4 4
10	PIPE PLUG	3/8-18 NPT	3 3



REVISIONS

SYMBOL	DESCRIPTION	MICRO-INCH VALUE
C		16
D		32
E		63
F		125
G		250
J		500
K		1000

TOLERANCE: UNLESS OTHERWISE SPECIFIED
 FRACTIONS $\pm 1/32$ " ANGLES $\pm 0^\circ 30'$
 DECIMALS $\pm .005$ " WELD $\pm 1/16$ "
 CASTING $\pm 1/16$ "

A.I.S.I. STANDARD FINISHES

AN ALCO INDUSTRIES COMPANY
 BEARING PRODUCTS
 ODESSA, TX. USA

SAW 23544 07-15
 ASSEMBLY DRAWING

SCALE 1 = 3
 DRAWN RWB
 DATE 4/6/04
 CHK:

ASSEMBLY NO.
 DRAWING NO. C-31720