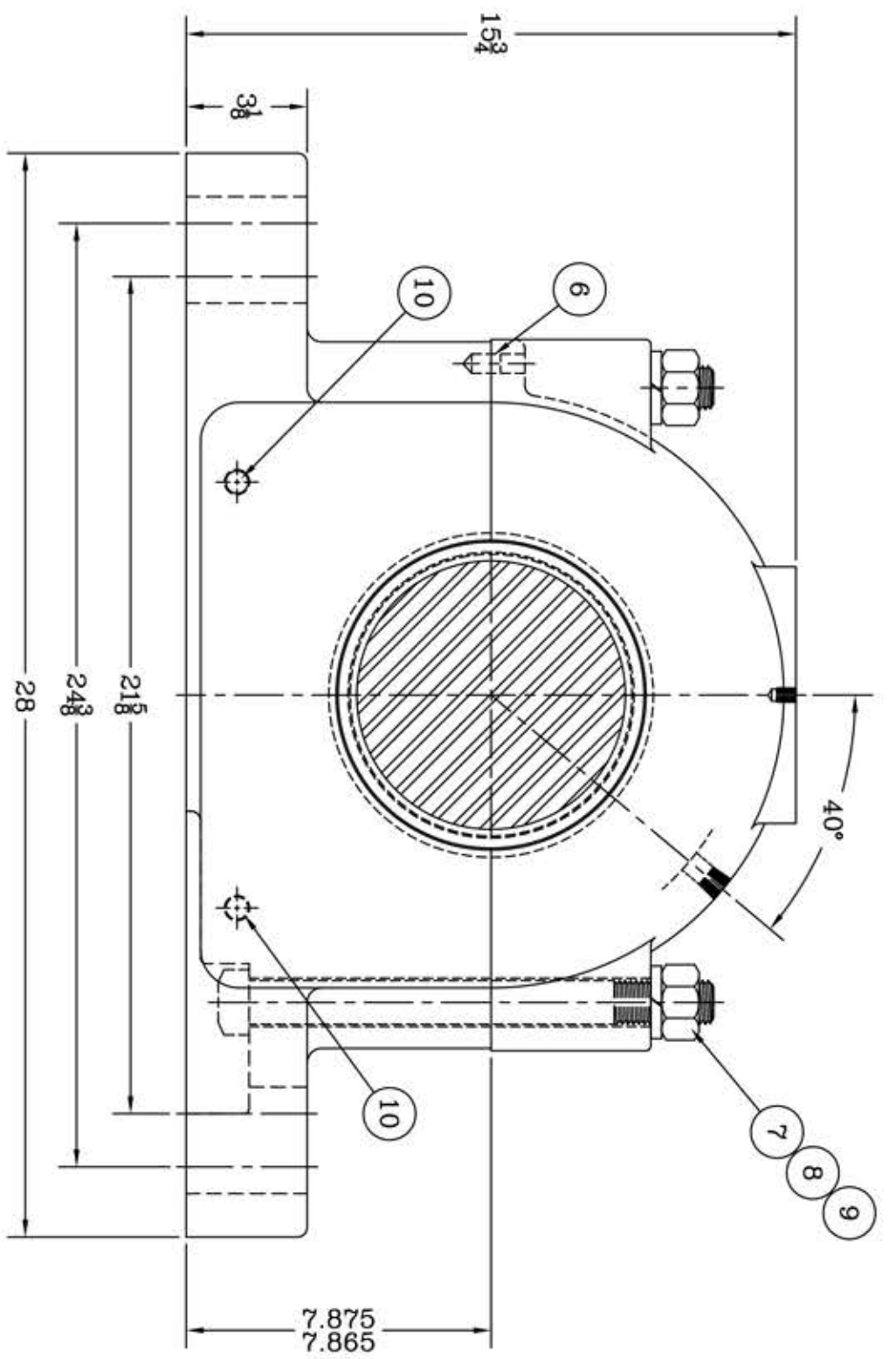
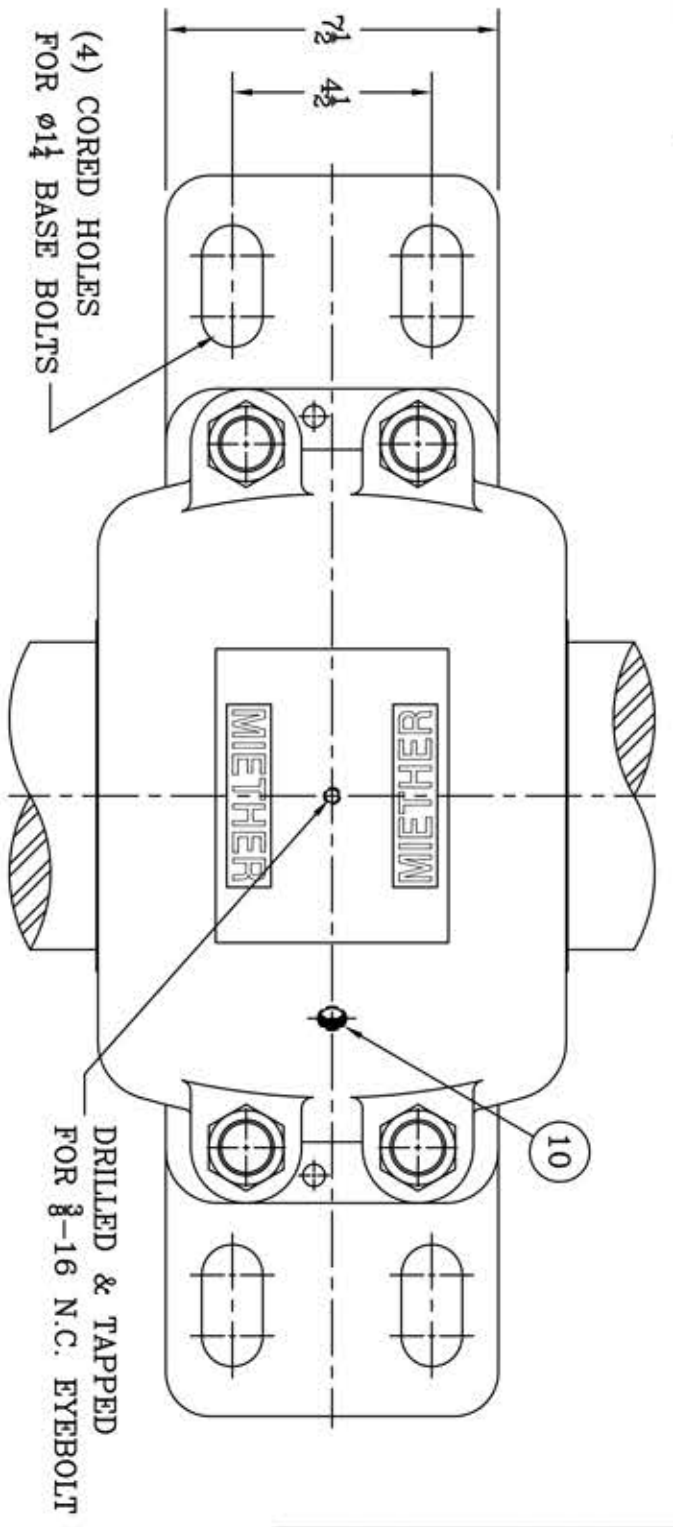
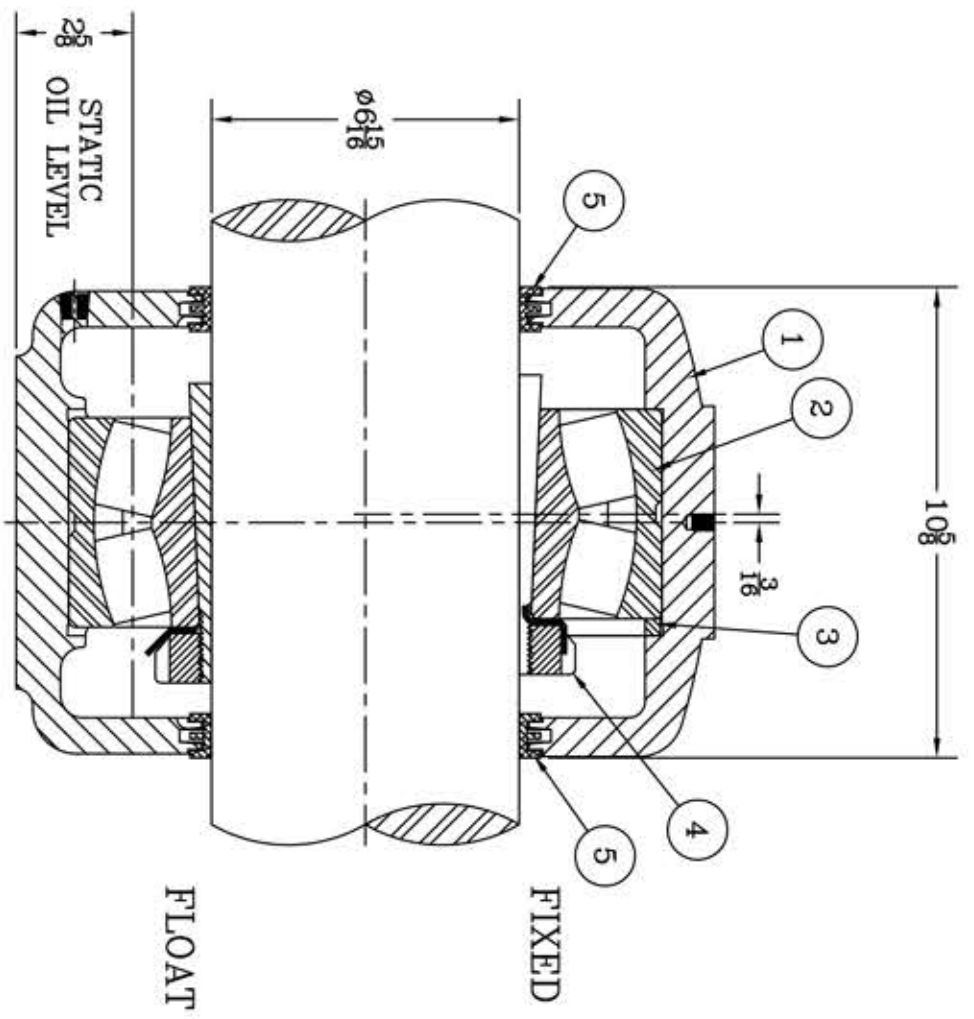


This drawing is the sole property of Miether Bearing Products and contains confidential and proprietary information. It is being provided to you for your use and may not be disclosed to any third party or used for any other purpose without Miether's prior written consent. The [materials] must be returned to the Company upon its demand. Your acceptance of these materials constitutes your acceptance of the foregoing terms.

C-19605



ITEM	DESCRIPTION	DETAIL	REQUIRED
1	HOUSING SAW-538	C-18624	1 1
2	SPHERICAL ROLLER BEARING	23238K/W-33	1 1
3	STABILIZING RING SR-38-32	A-10555	1 0
4	ADAPTER SNW-138 x 6 1/8	B-10841	1 1
5	TRIPLE SEAL RING LER-155	A-10554	2 2
6	DOWEL	$\phi 2$ x 1" LONG	2 2
7	CAP BOLT SQUARE HEAD	1 1/8-7 NC x 12" LONG	4 4
8	CAP BOLT HEX NUT	1 1/8-7 NC	4 4
9	LOCKWASHER	1 1/8 SPLIT MED.	4 4
10	PIPE PLUG	3/8-18 NPT	3 3



REDRAWN ON COMPUTER
AR per KAB
7-15-04

REVISIONS

SYMBOL	DESCRIPTION	DATE	BY
C	REVISION	16	
D	REVISION	32	
E	REVISION	63	
F	REVISION	125	
G	REVISION	250	
J	REVISION	500	
K	REVISION	1000	

TOLERANCE: UNLESS OTHERWISE SPECIFIED
FRACTIONS $\pm 1/32$ "
DECIMALS $\pm .005$ "
CASTING $\pm 1/16$ "
WELD $\pm 1/16$ "
ANGLES $\pm 0^\circ 30'$
A.I.S.I. STANDARD FINISHES

AN ALCO INDUSTRIES COMPANY
BEARING PRODUCTS
ODDESSA, TX. USA

SAW 23538 06-15
ASSEMBLY DRAWING

SCALE 1 = 3
DRAWN BAB
DATE 2/10/87
CHK:

ASSEMBLY NO.
DRAWING NO.
C-19605