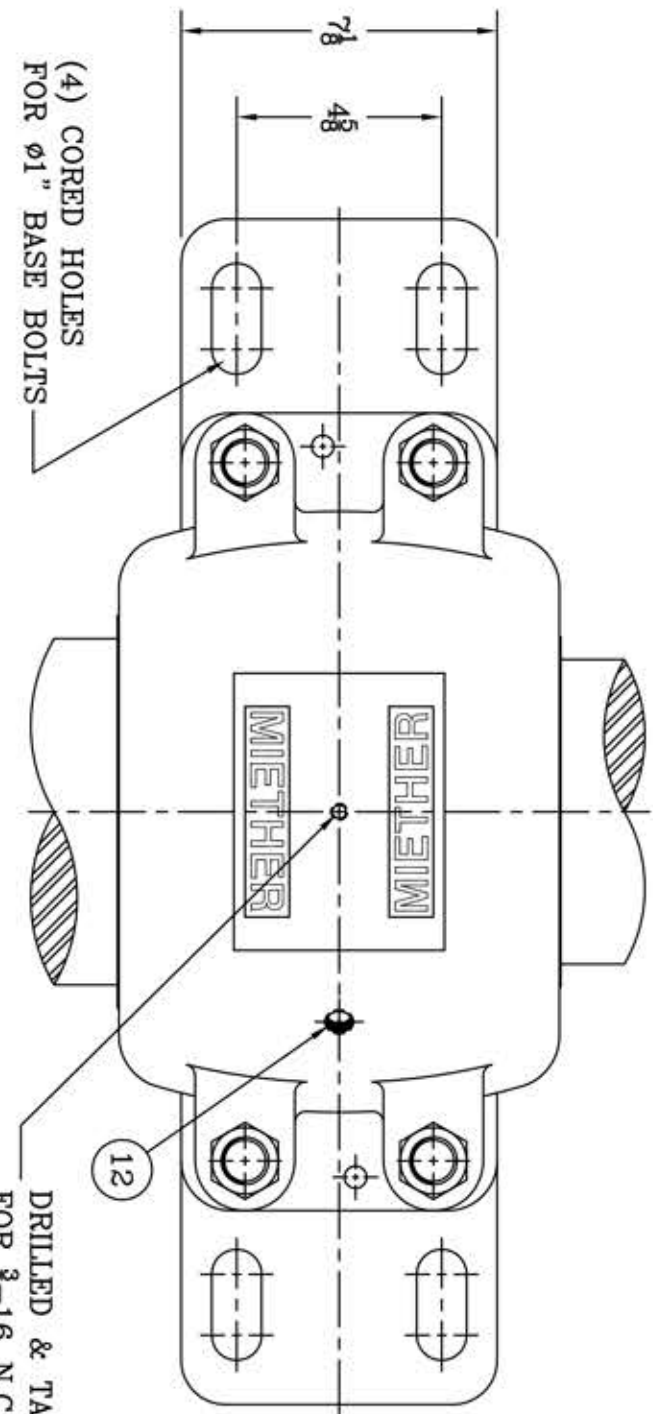


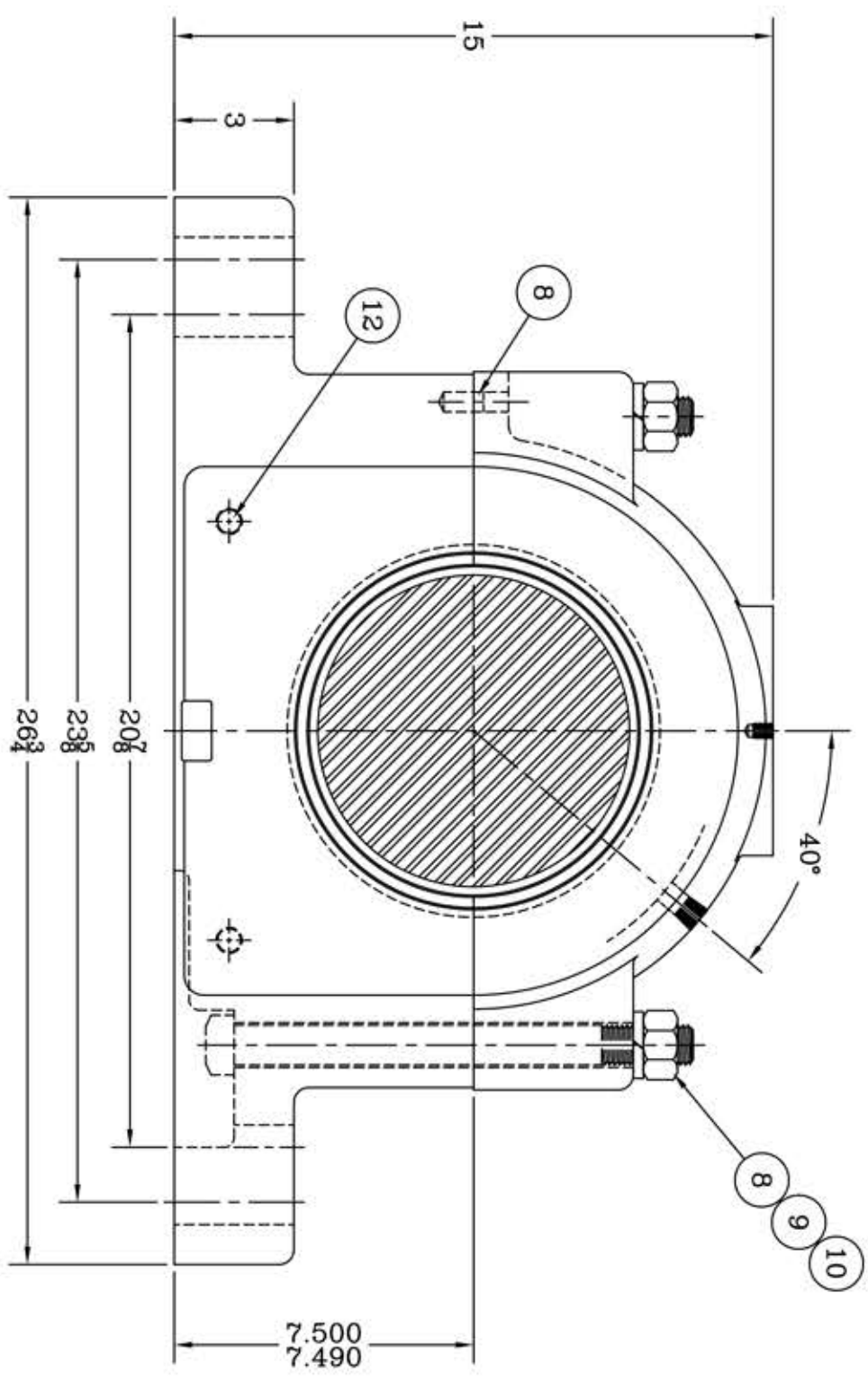
This drawing is the sole property of Miether Bearing Products and contains confidential and proprietary information. It is being provided to you for your use and may not be disclosed to any third party or used for any other purpose without Miether's prior written consent. The [materials] must be returned to the Company upon its demand. Your acceptance of these materials constitutes your acceptance of the foregoing terms.

C-35233

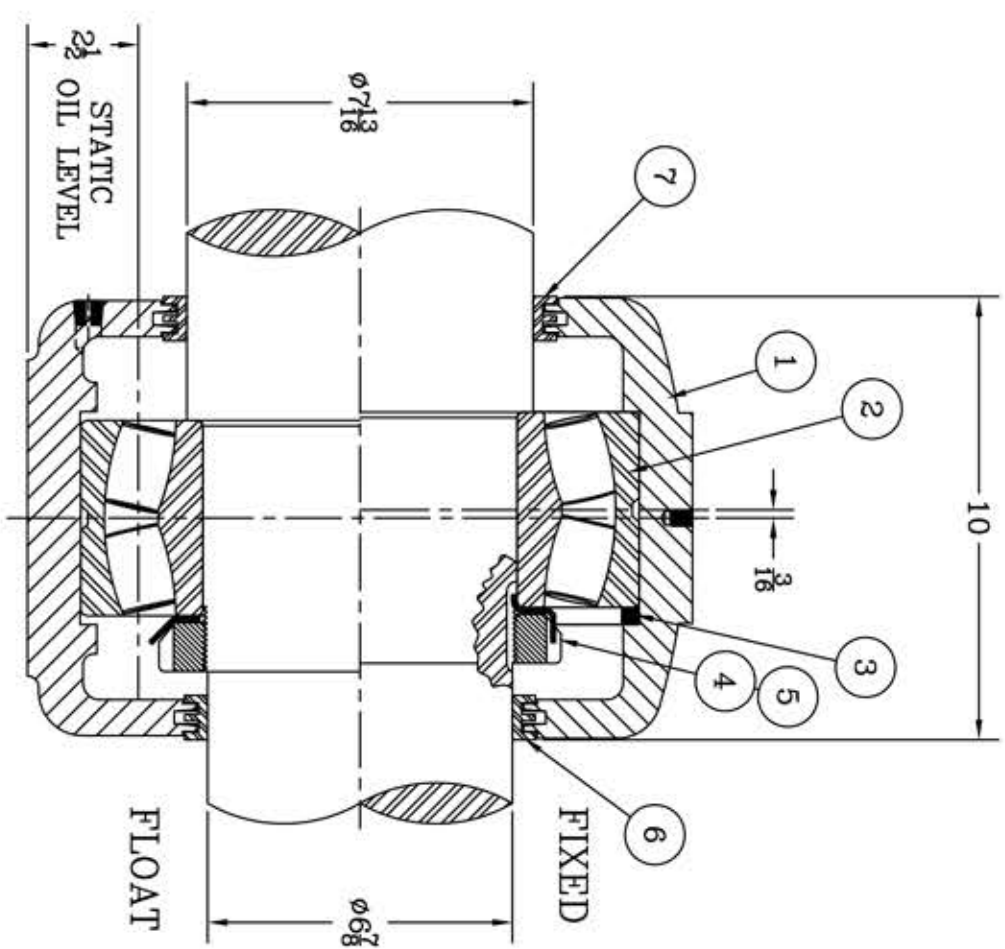


(4) CORED HOLES FOR  $\phi 1$ " BASE BOLTS

DRILLED & TAPPED FOR  $\frac{3}{8}$ -16 N.C. EYEBOLT



ITEM	DESCRIPTION	DETAIL	REQUIRED
1	HOUSING SAWD-236	C-	1 1
2	SPHERICAL ROLLER BEARING	23236/W-33	1 1
3	STABILIZING RING SR-36-30	A-10610	1 0
4	LOCKNUT AN-36	B-10422	1 1
5	LOCKWASHER W-36	00252	1 1
6	TRIPLE SEAL RING LER-154	A-10672	1 1
7	TRIPLE SEAL RING LER-165	A-10675	1 1
8	DOWEL	$\phi \frac{1}{2}$ x 1" LONG	2 2
9	CAP BOLT SQUARE HEAD GR.5	1-8 NC x 1 1/2" LONG	4 4
10	CAP BOLT HEX. NUT	1-8 NC	4 4
11	LOCKWASHER	1" SPLIT MED.	4 4
12	PIPE PLUG	$\frac{3}{8}$ -18 NPT	3 3



REVISIONS

SYMBOL	DESCRIPTION
C	16
D	32
E	63
F	125
G	250
J	500
K	1000

TOLERANCE: UNLESS OTHERWISE SPECIFIED  
 FRACTIONS  $\pm 1/32$ " ANGLES  $\pm 0^\circ 30'$   
 DECIMALS  $\pm .005$  WELD  $\pm 1/16$ "  
 CASTING  $\pm 1/16$ "  
 A.I.S.I. STANDARD FINISHES

AN ALCO INDUSTRIES COMPANY  
 BEARING PRODUCTS  
 ODESSA, TX. USA

SCALE 1 = 3 ASSEMBLY NO.  
 DRAWN PCF  
 DATE 1/3/13  
 CHECK:

SAWD 23236 07-13 x 06-14  
 ASSEMBLY DRAWING

DRAWING NO. C-35233