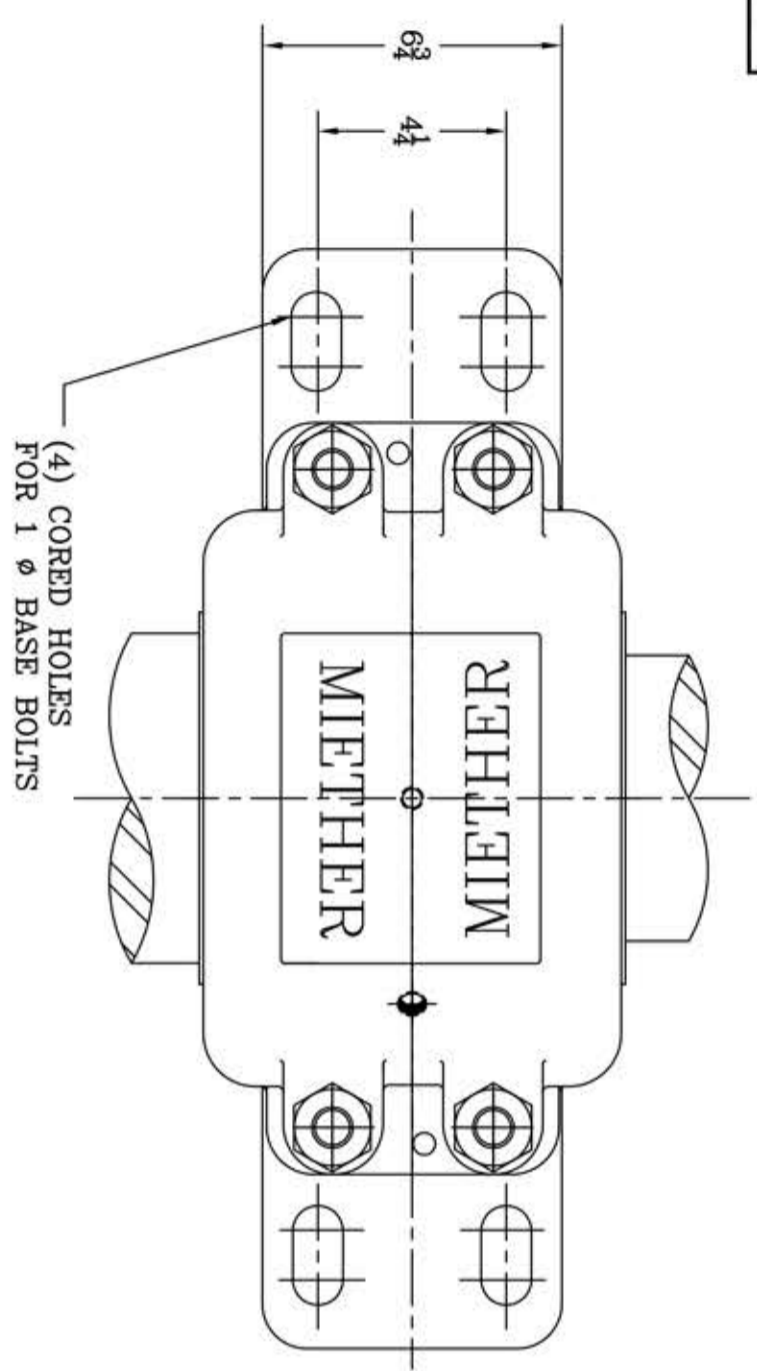
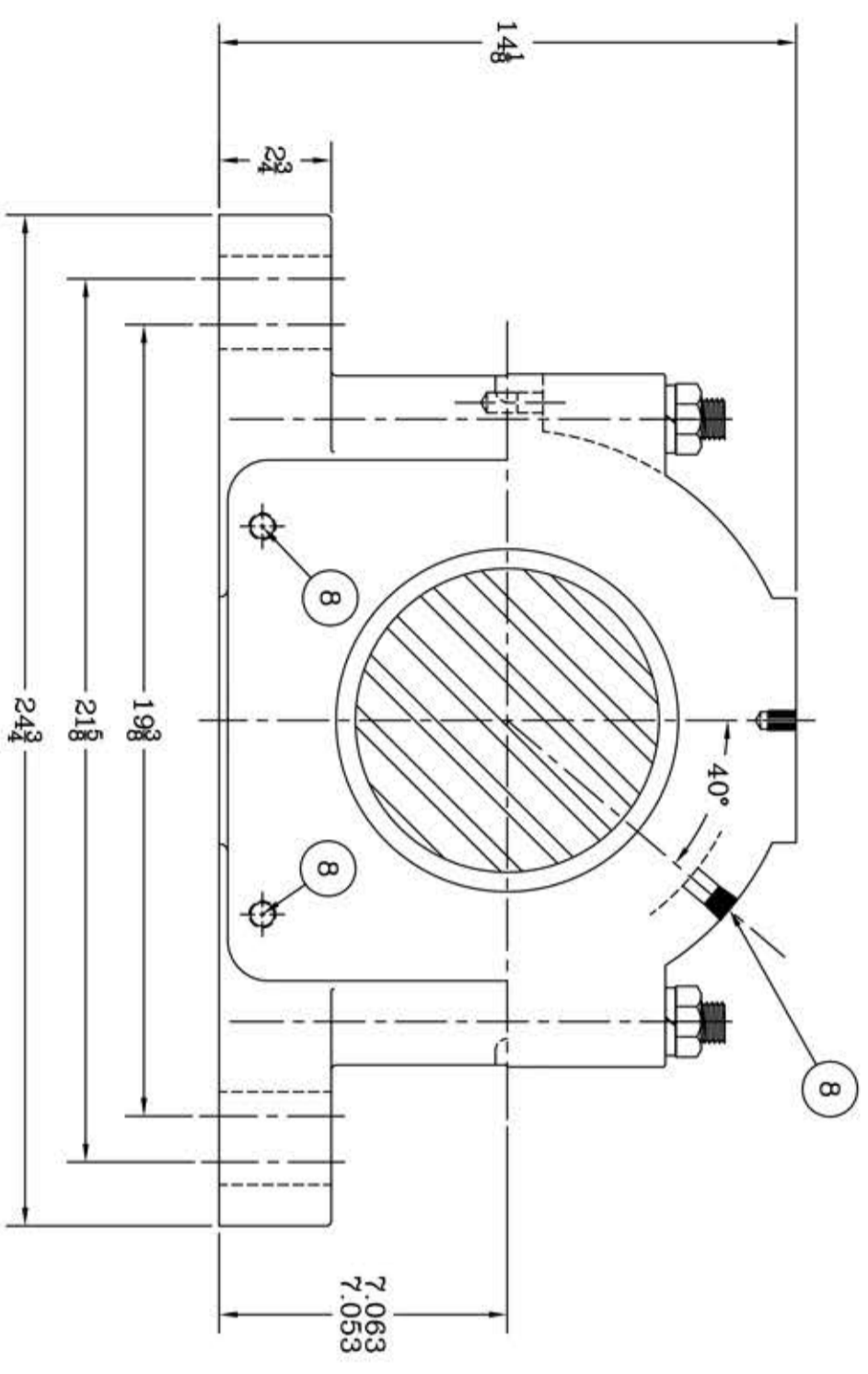


This drawing is the sole property of Miether Bearing Products and contains confidential and proprietary information. It is being provided to you for your use and may not be disclosed to any third party or used for any other purpose without Miether's prior written consent. The [materials] must be returned to the Company upon its demand. Your acceptance of these materials constitutes your acceptance of the foregoing terms.

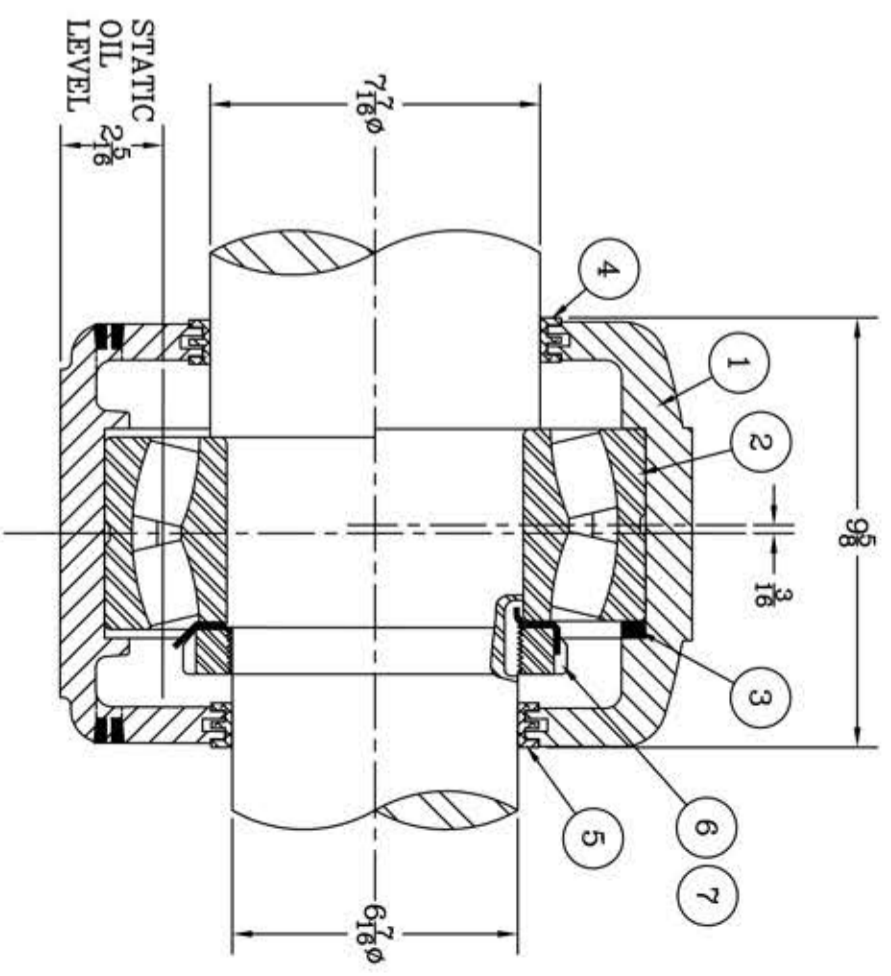
C-35232



(4) CORED HOLES FOR 1 Ø BASE BOLTS



ITEM	DESCRIPTION	DETAIL	QTY
1	HOUSING SAWD 234	C-	1
2	SPHERICAL ROLLER BEARING	23234	1
3	STABILIZING RING SR-34-0	A-10609	1
4	TRIPLE SEAL RING LER 161	A-10673	1
5	TRIPLE SEAL RING LER 148	A-10586	1
6	LOCKNUT AN 34	B-10421	1
7	LOCKWASHER W 34		1
8	PIPE PLUG	3/8-18 NPT	3
9			



REVISIONS

SYMBOL	DESCRIPTION
C	
D	
E	
F	
G	
J	
K	

AN ALCO INDUSTRIES COMPANY
 BEARING PRODUCTS
 ODESSA, TX. USA

TOLERANCE: UNLESS OTHERWISE SPECIFIED
 FRACTIONS ± 1/32" ANGLES ± 0° 30'
 DECIMALS ± .005" WELD ± 1/16"
 CASTING ± 1/16"

A.I.S.I. STANDARD FINISHES
 MICRO-INCH VALUE: 16 32 63 125 250 500 1000

SAWD 23234 07-07 x 06-07
 ASSEMBLY DRAWING
 SCALE 1 = 3
 DRAWN PCF
 DATE 1/3/13
 CHECK:

ASSEMBLY NO.
 DRAWING NO. C-35232