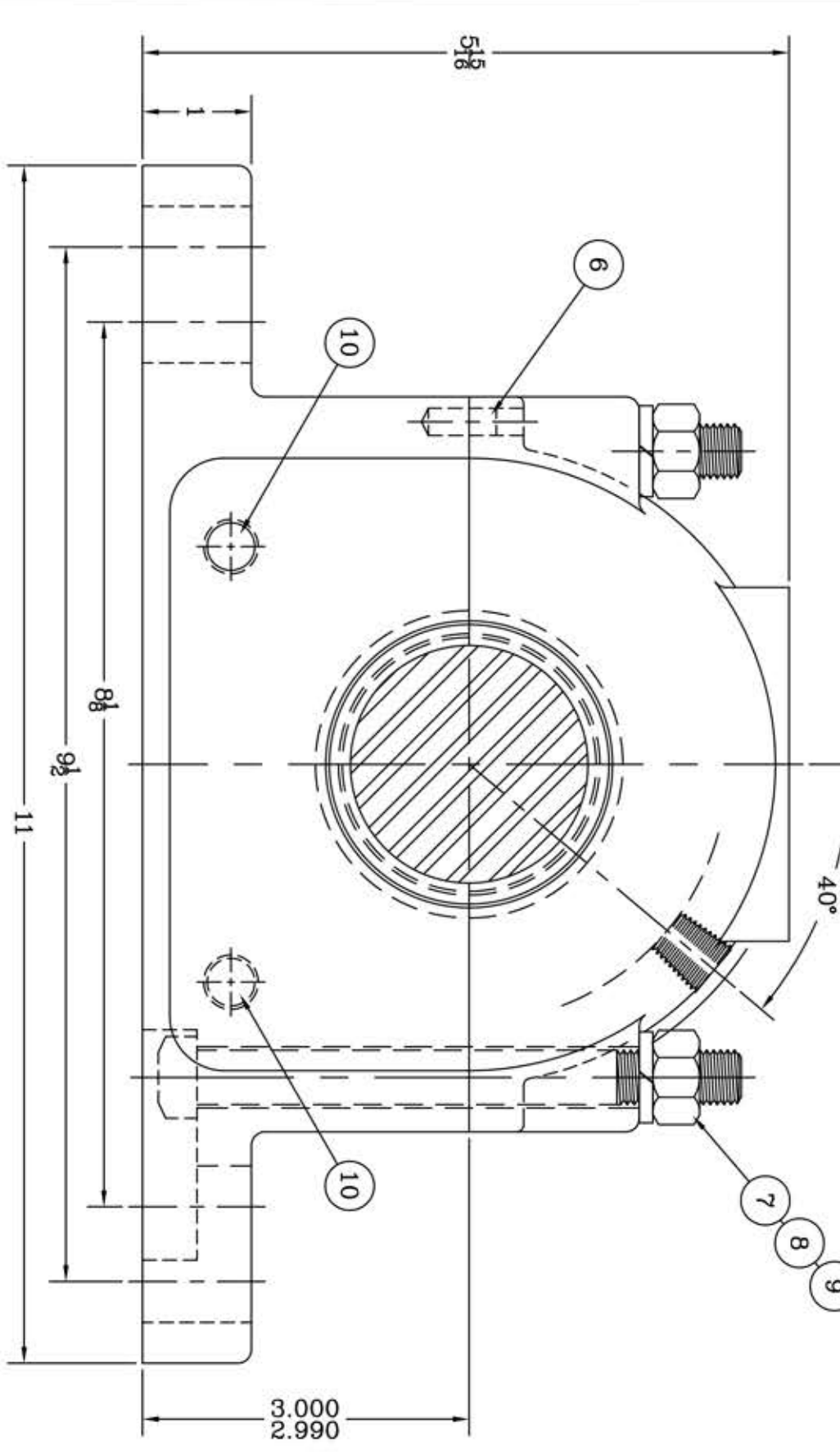
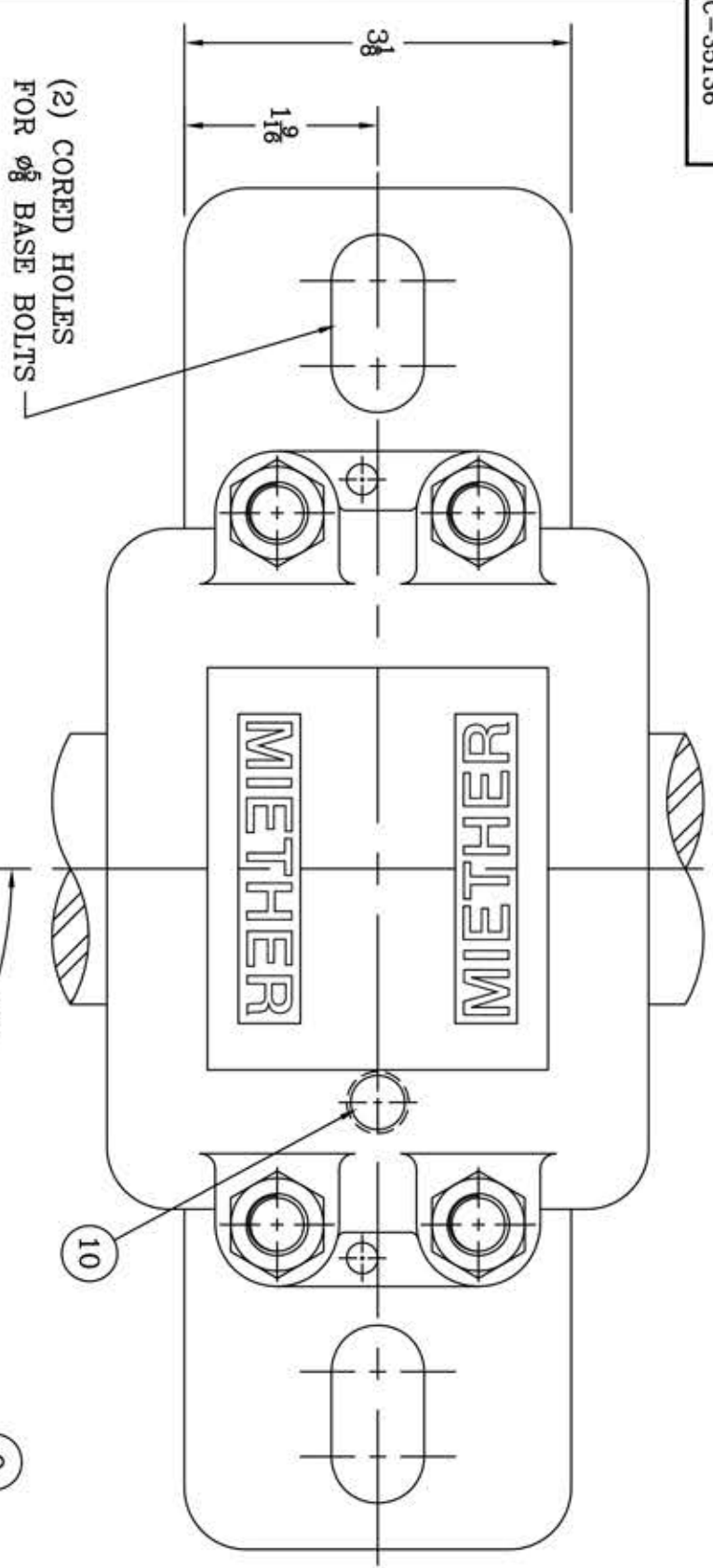
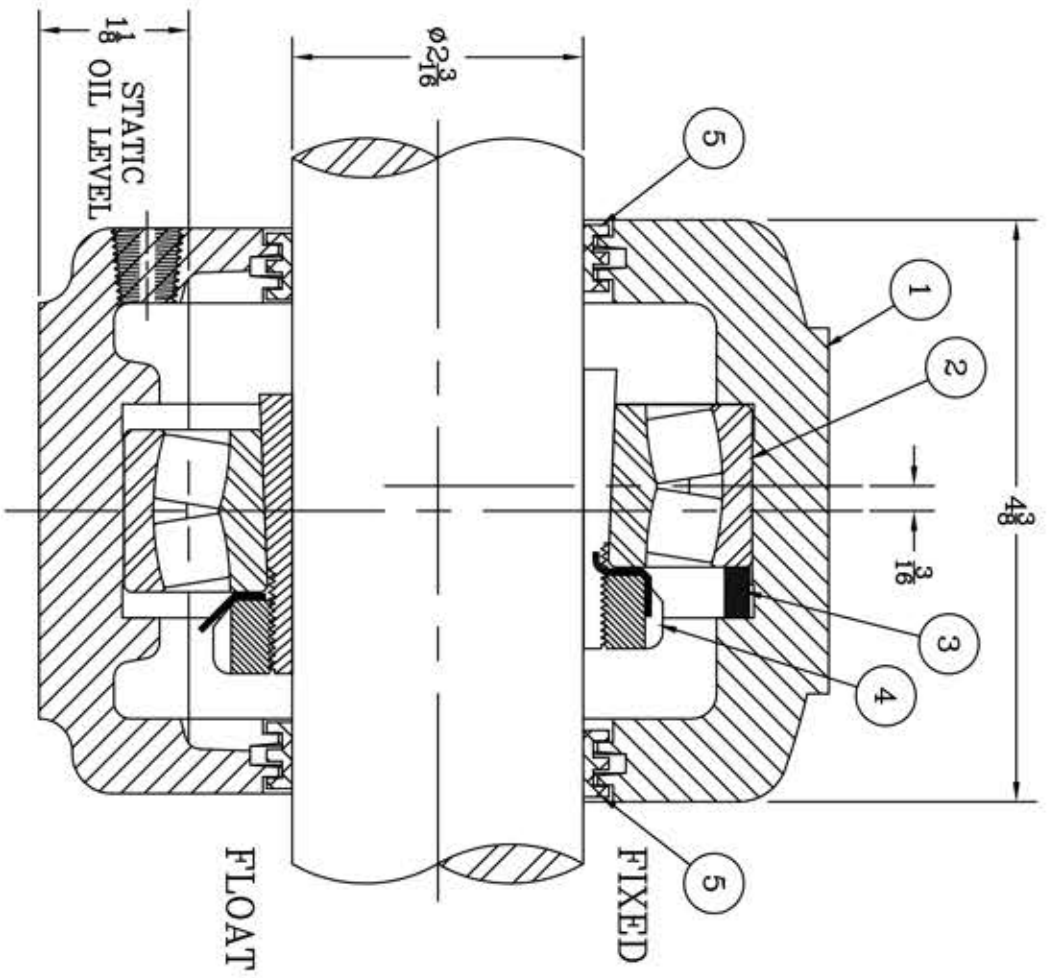


This drawing is the sole property of Miether Bearing Products and contains confidential and proprietary information. It is being provided to you for your use and may not be disclosed to any third party or used for any other purpose without Miether's prior written consent. The [materials] must be returned to the Company upon its demand. Your acceptance of these materials constitutes your acceptance of the foregoing terms.

C-35136



ITEM	DESCRIPTION	DETAIL	REQUIRED
1	HOUSING SAFD 513 02-03	C-	1 1
2	SPHERICAL ROLLER BEARING 22213K/W33		1 1
3	STABILIZING RING SR-13-11	A-10597	1 0
4	ADAPTER SNW-13 02-03	B-24395	1 1
5	TRIPLE SEAL RING LER 29	A-18362	2 2
6	DOWEL	Ø 1/4 x 3/8 LONG	2 2
7	CAP BOLT SQUARE HEAD Gr.5	1/2-13 NC x 5" LONG	4 4
8	CAP BOLT HEX. NUT	1/2-13 NC	4 4
9	LOCKWASHER	1/2 SPLIT MED.	4 4
10	PIPE PLUG	1/4-18 NPT	3 3



REVISIONS

SYMBOL	DESCRIPTION
✓	16
∇	32
∇	63
∇	125
∇	250
∇	500
∇	1000

TOLERANCE: UNLESS OTHERWISE SPECIFIED

FRACTIONS $\pm 1/32"$ ANGLES $\pm 0^\circ 30'$

DECIMALS $\pm .005$ WELD $\pm 1/16"$

CASTING $\pm 1/16"$

A.I.S.I. STANDARD FINISHES

AN ALCO INDUSTRIES COMPANY
BEARING PRODUCTS
ODESSA, TX. USA

SAFD 22513 02-03
ASSEMBLY DRAWING

SCALE FULL
DRAWN PCF
DATE 11/9/12
CHK:

ASSEMBLY NO.
DRAWING NO. C-35136