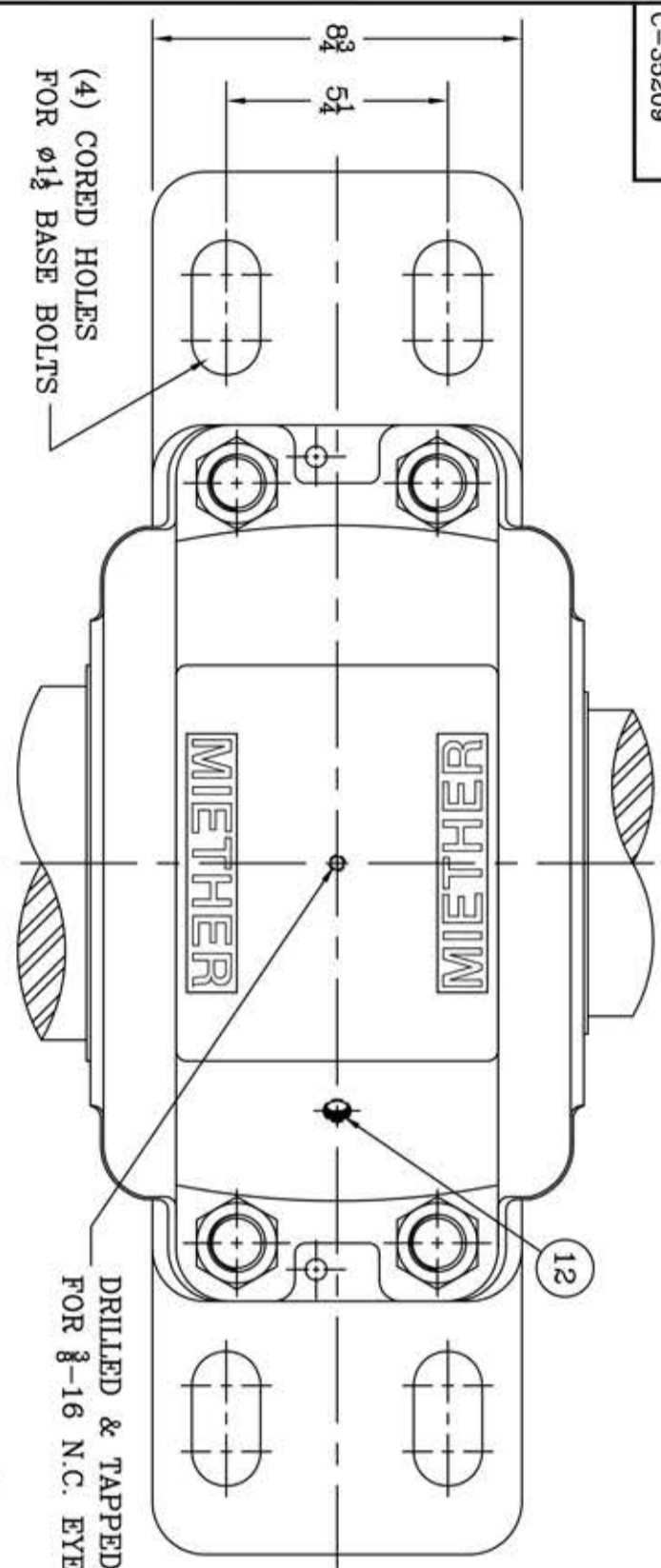
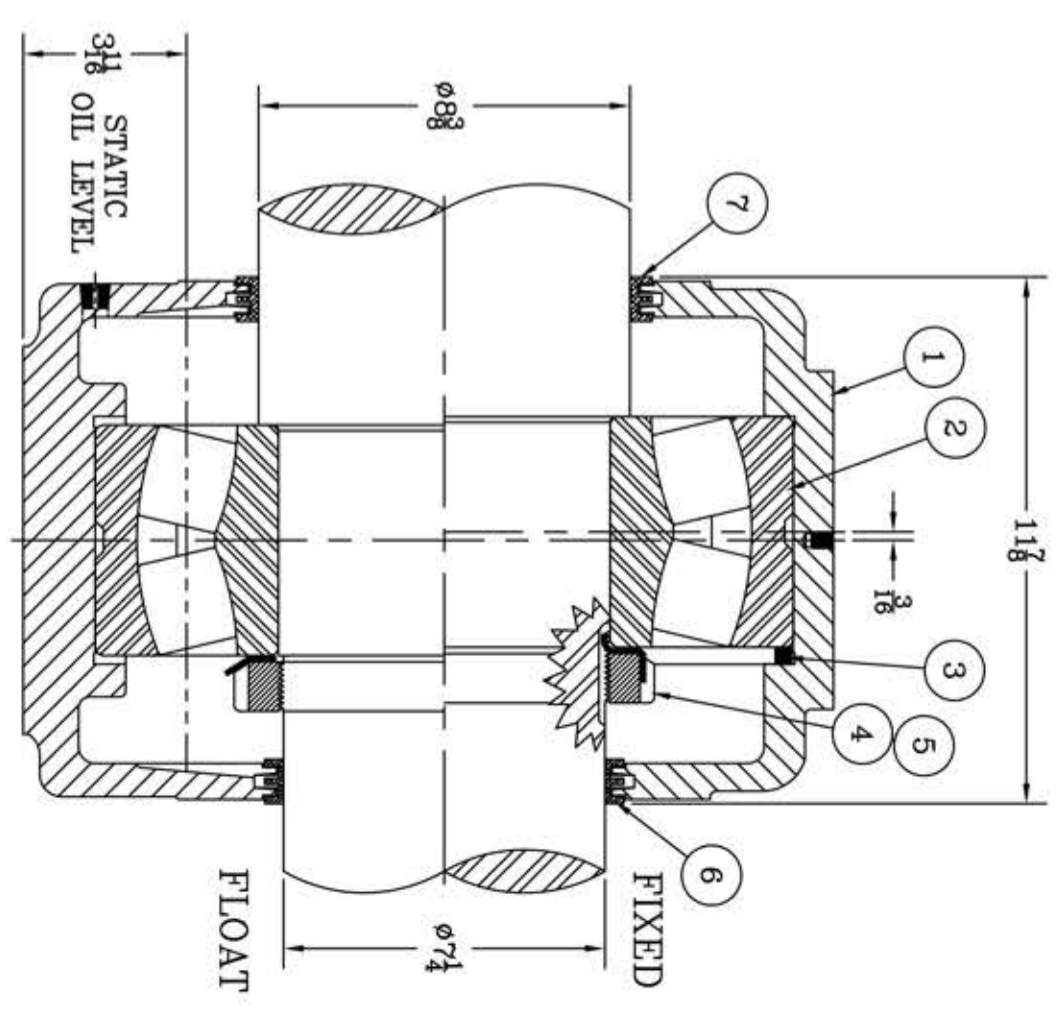
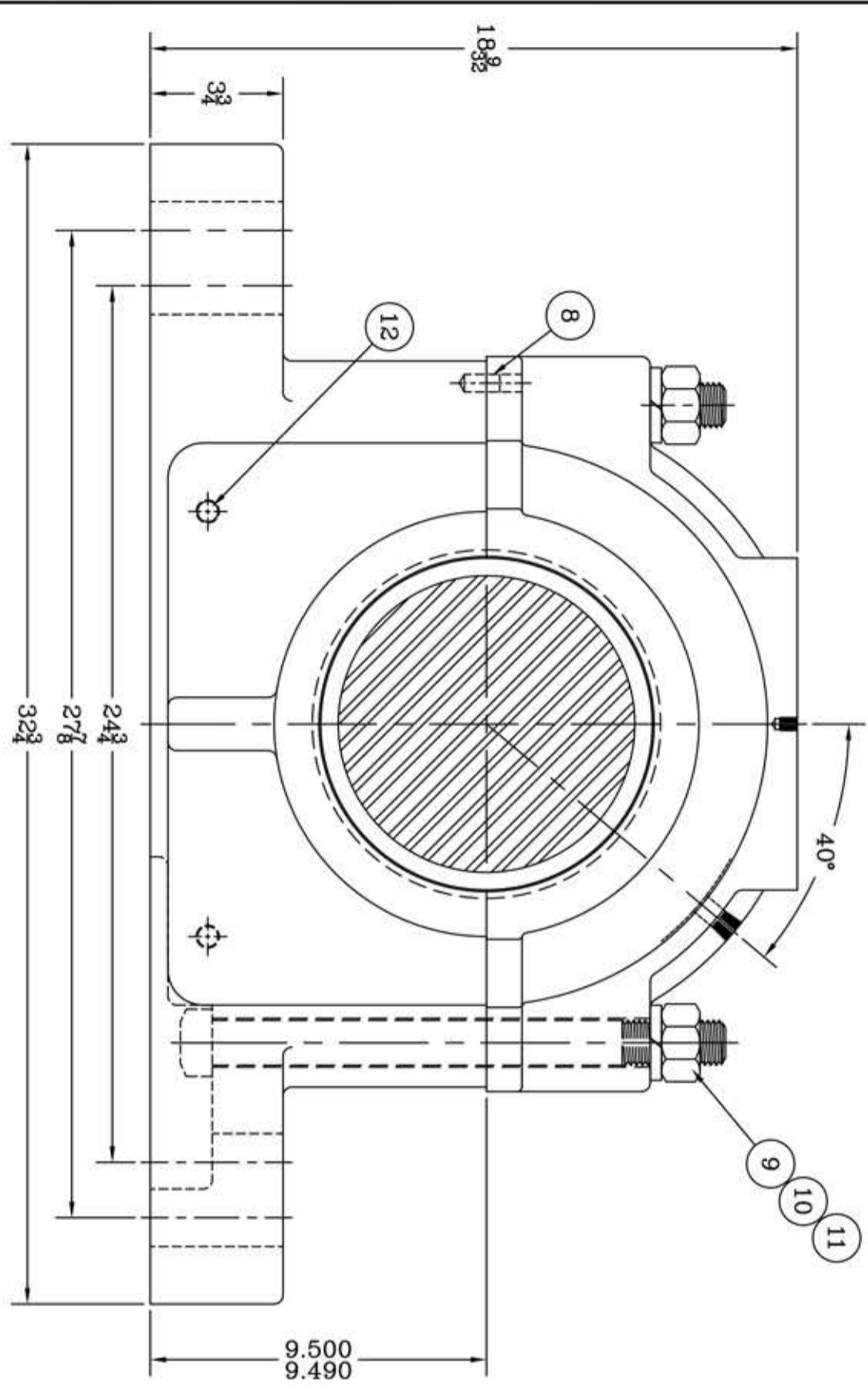


This drawing is the sole property of Miether Bearing Products and contains confidential and proprietary information. It is being provided to you for your use and may not be disclosed to any third party or used for any other purpose without Miether's prior written consent. The [materials] must be returned to the Company upon its demand. Your acceptance of these materials constitutes your acceptance of the foregoing terms.

C-35209



ITEM	DESCRIPTION	DETAIL	REQUIRED	P.D.	F.L.T.
1	HOUSING SAFD 338	C-	1	1	1
2	SPHERICAL ROLLER BEARING 22338/W-33		1	1	1
3	STABILIZING RING SR-44-38	A-11612	1	0	0
4	LOCKNUT AN-38	B-10423	1	1	1
5	LOCKWASHER W-38	00253	1	1	1
6	TRIPLE SEAL RING LER-160	A-10590	1	1	1
7	TRIPLE SEAL RING LER-171	A-10593	1	1	1
8	DOWEL $\phi \frac{1}{2}$ x 1" LONG		2	2	2
9	CAP BOLT SQUARE HEAD GR.5 $1\frac{1}{4}$ -7 NC x $1\frac{1}{2}$ LONG		4	4	4
10	CAP BOLT HEX. NUT $1\frac{1}{4}$ -7 NC		4	4	4
11	LOCKWASHER $1\frac{1}{4}$ SPLIT MED.		4	4	4
12	PIPE PLUG $\frac{3}{8}$ -18 NPT		3	3	3



REVISIONS	
SYMBOL	DESCRIPTION
16	16
32	32
63	63
125	125
250	250
500	500
1000	1000

TOLERANCE: UNLESS OTHERWISE SPECIFIED

FRACTIONS $\pm 1/32$ " ANGLES $\pm 0^\circ 30'$

DECIMALS $\pm .005$ " WELD $\pm 1/16$ "

CASTING $\pm 1/16$ "

A.I.S.I. STANDARD FINISHES

AN ALCO INDUSTRIES COMPANY

BEARING PRODUCTS

ODDESSA, TX. USA

SAFD 22338 08-06 x 07-04

ASSEMBLY DRAWING

SCALE 1 = 3

DRAWN PCF

DATE 1/2/13

CHK:

ASSEMBLY NO.

DRAWING NO. C-35209