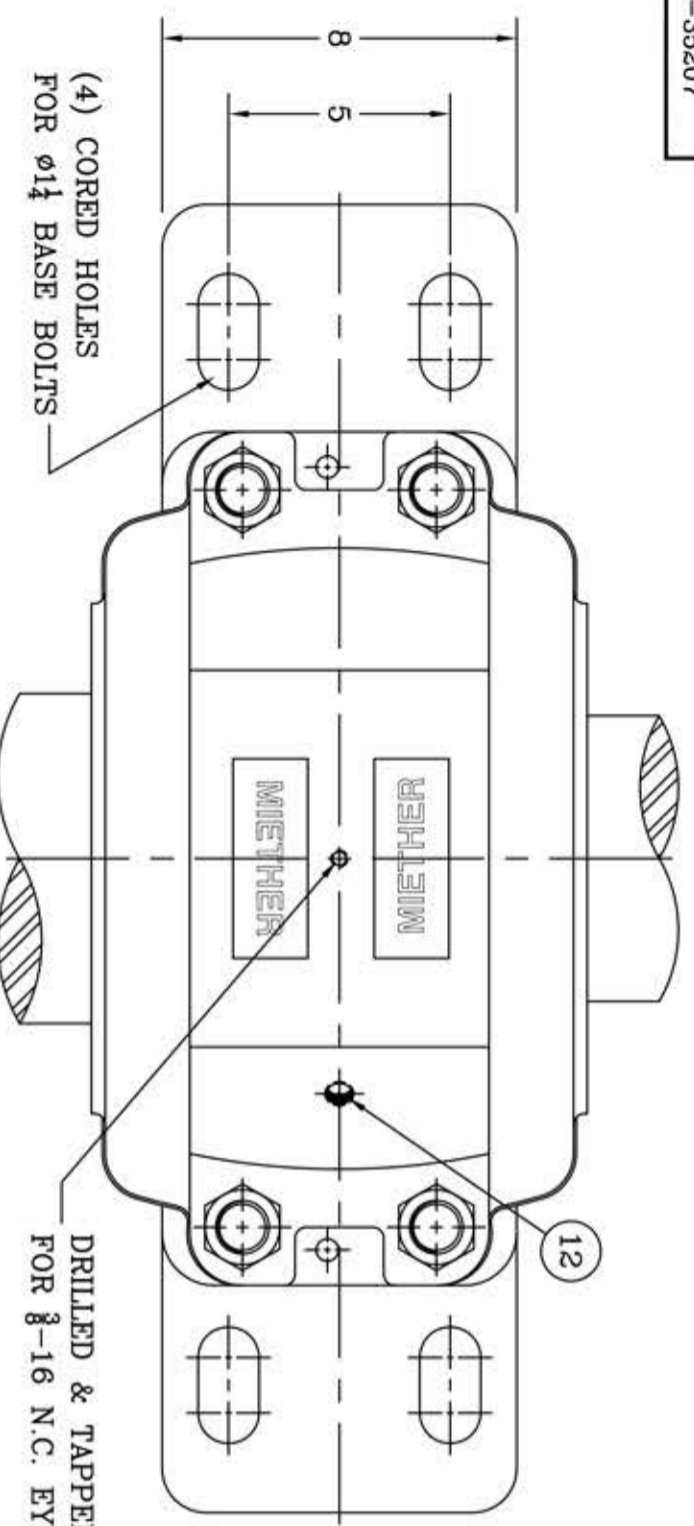
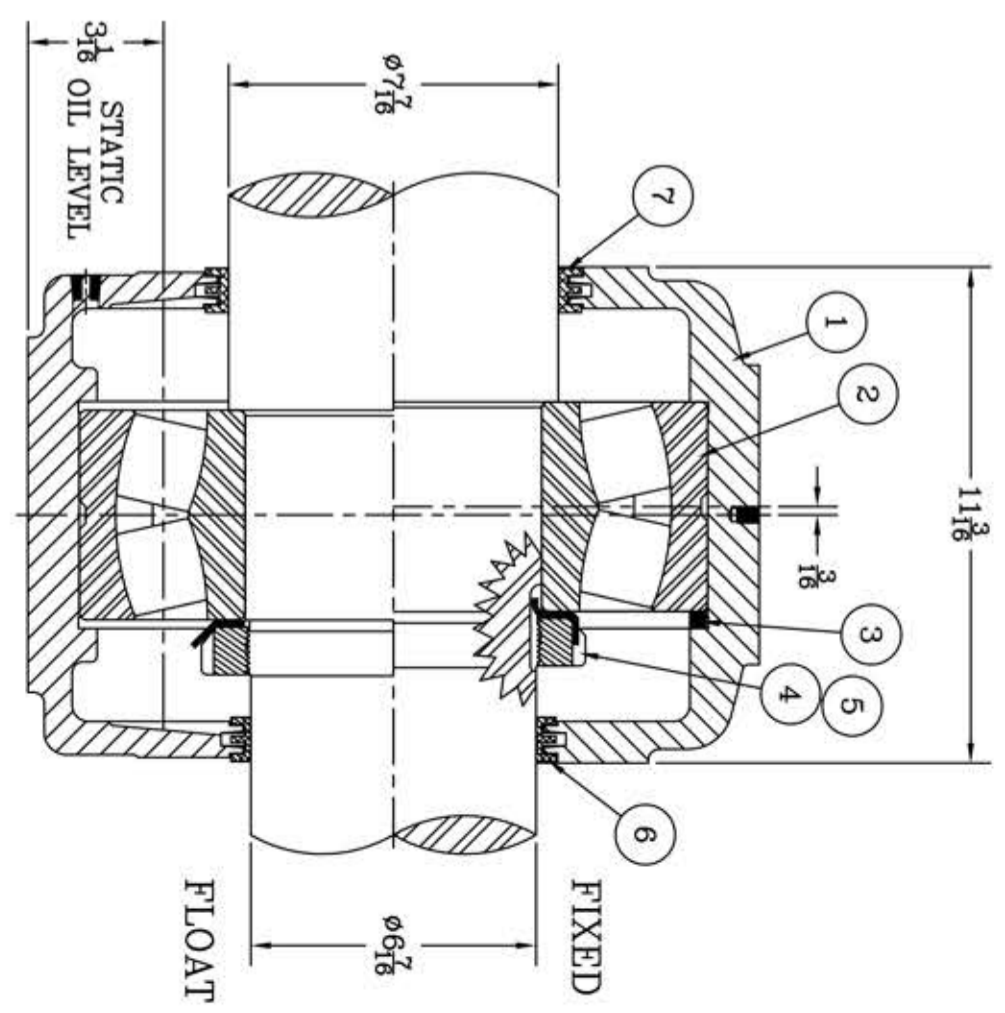
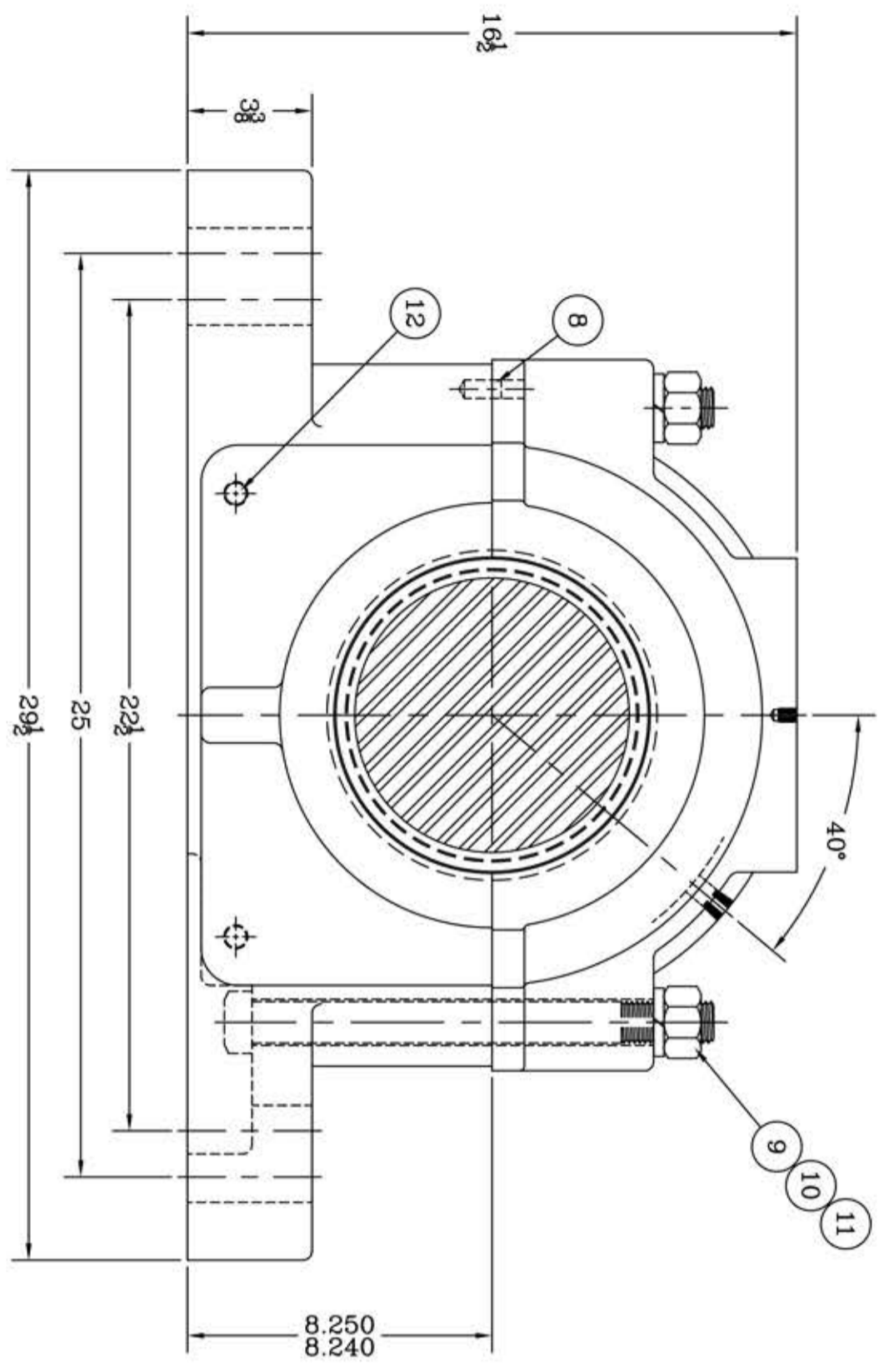


This drawing is the sole property of Miether Bearing Products and contains confidential and proprietary information. It is being provided to you for your use and may not be disclosed to any third party or used for any other purpose without Miether's prior written consent. The [materials] must be returned to the Company upon its demand. Your acceptance of these materials constitutes your acceptance of the foregoing terms.

C-35207



ITEM	DESCRIPTION	DETAIL	REQUIRED
1	HOUSING SAFD 334	C-	1 1
2	SPHERICAL ROLLER BEARING	22334/W-33	1 1
3	STABILIZING RING SR-40-34	A-10611	1 0
4	LOCKNUT AN-34	B-10421	1 1
5	LOCKWASHER W-34		1 1
6	TRIPLE SEAL RING LER-148	A-10586	1 1
7	TRIPLE SEAL RING LER-161	A-10673	1 1
8	DOWEL $\phi 2 \times 1$ " LONG		2 2
9	CAP BOLT SQUARE HEAD GR.5 $1\frac{1}{8}$ -7 NC x $12\frac{1}{2}$ LONG		4 4
10	CAP BOLT HEX. NUT $1\frac{1}{8}$ -7 NC		4 4
11	LOCKWASHER $1\frac{1}{8}$ SPLIT MED.		4 4
12	PIPE PLUG $\frac{3}{8}$ -18 NPT		3 3



REVISIONS

SYMBOL	DESCRIPTION
C	...
D	...
E	...
F	...
G	...
J	...
K	...

MICRO-INCH VALUE: 16 32 63 125 250 500 1000

TOLERANCE: UNLESS OTHERWISE SPECIFIED

FRACTIONS $\pm 1/32$ " ANGLES $\pm 0^\circ 30'$

DECIMALS $\pm .005$ " WELD $\pm 1/16$ "

CASTING $\pm 1/16$ "

A.I.S.I. STANDARD FINISHES

AN ALCO INDUSTRIES COMPANY

BEARING PRODUCTS

ODessa, TX USA

SAFD 22334 07-07 x 06-07

ASSEMBLY DRAWING

SCALE 1 = 3

DRAWN PCF

DATE 1/2/13

ASSEMBLY NO.

DRAWING NO. C-35207