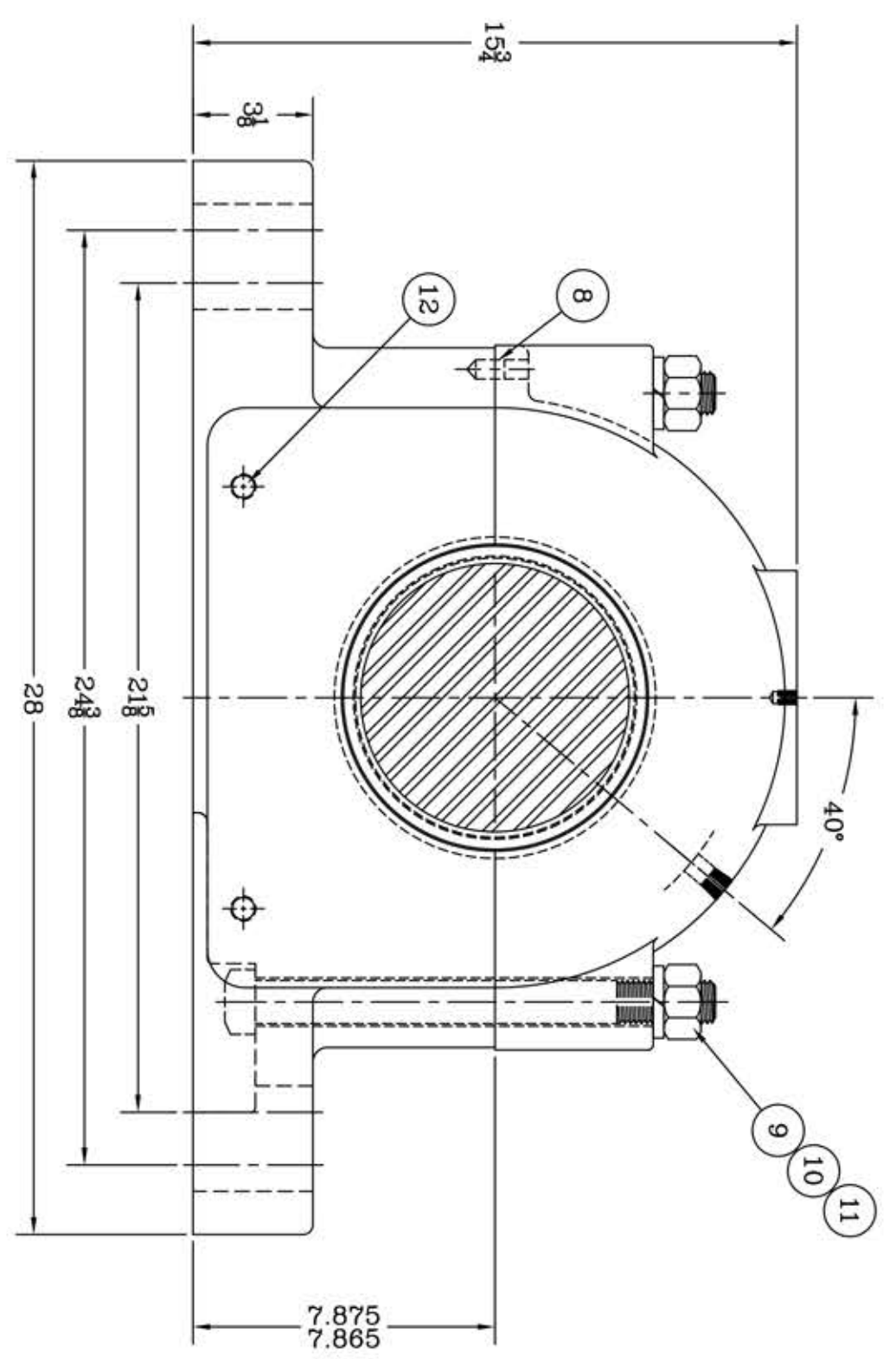
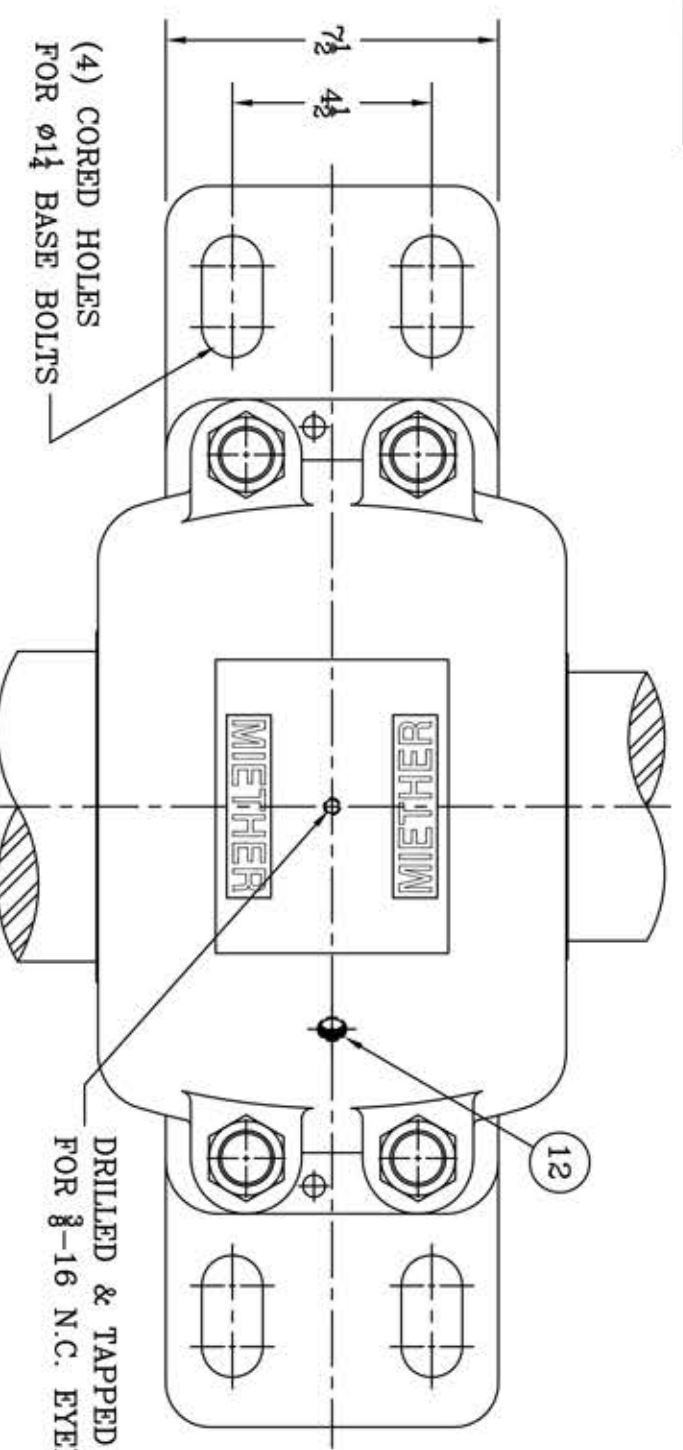
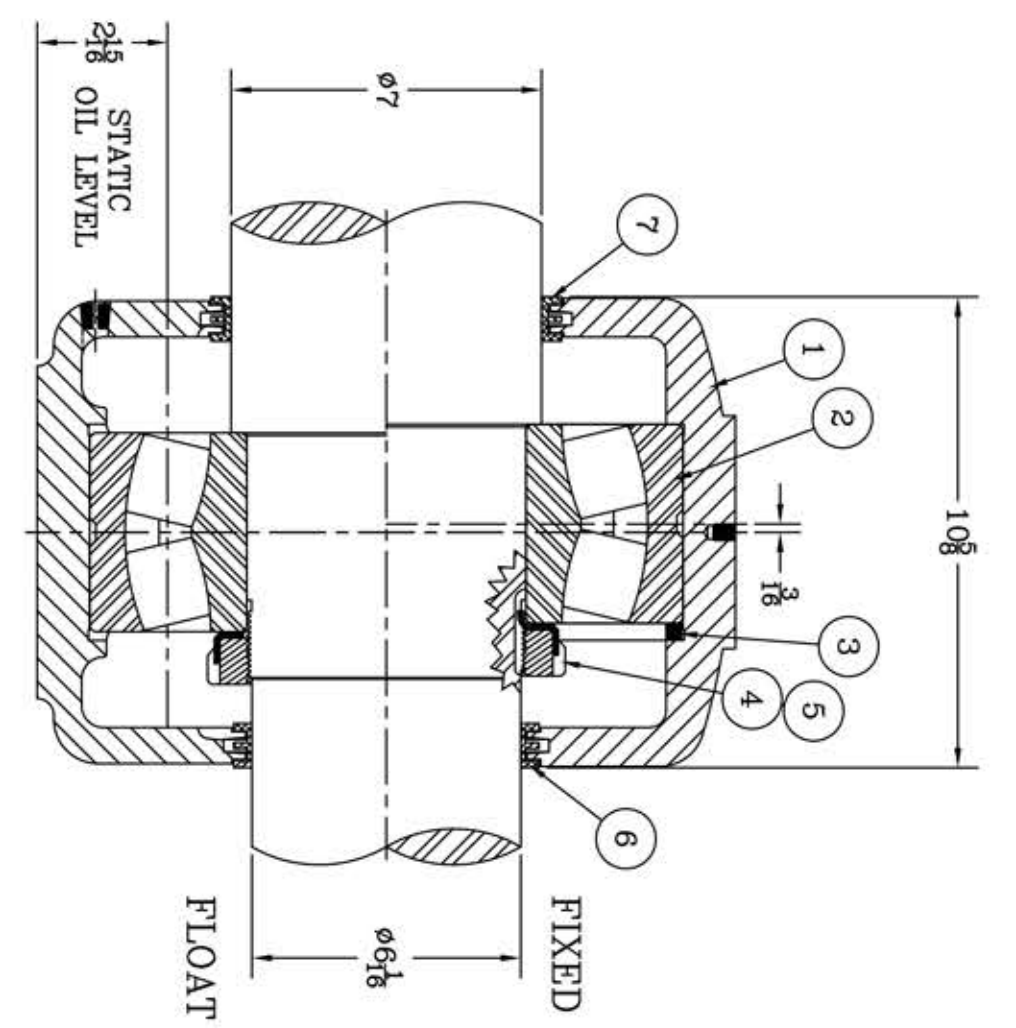


This drawing is the sole property of Miether Bearing Products and contains confidential and proprietary information. It is being provided to you for your use and may not be disclosed to any third party or used for any other purpose without Miether's prior written consent. The [materials] must be returned to the Company upon its demand. Your acceptance of these materials constitutes your acceptance of the foregoing terms.

C-14422



ITEM	DESCRIPTION	DETAIL	REQUIRED
1	HOUSING SAF 332	C-13175-R	1 1
2	SPHERICAL ROLLER BEARING	22332/W-33	1 1
3	STABILIZING RING SR-38-32	A-10555	1 0
4	LOCKNUT AN-32	B-10420	1 1
5	LOCKWASHER W-32	00250	1 1
6	TRIPLE SEAL RING LER-142	A-10640	1 1
7	TRIPLE SEAL RING LER-156	A-10588	1 1
8	DOWEL	$\phi 2 \times 1$ " LONG	2 2
9	CAP BOLT SQUARE HEAD	$1\frac{1}{8}$ -7 NC x 12" LONG	4 4
10	CAP BOLT HEX NUT	$1\frac{1}{8}$ -7 NC	4 4
11	LOCKWASHER	$1\frac{1}{8}$ SPLIT MED.	4 4
12	PIPE PLUG	$\frac{3}{8}$ -18 NPT	3 3



REVISIONS	
SYMBOL	DESCRIPTION
16	32
63	125
250	500
1000	

TOLERANCE: UNLESS OTHERWISE SPECIFIED  
 FRACTIONS  $\pm 1/32$ " ANGLES  $\pm 0^\circ 30'$   
 DECIMALS  $\pm .005$ " WELD  $\pm 1/16$ "  
 CASTING  $\pm 1/16$ "

A.I.S.I. STANDARD FINISHES  
 MICRO-INCH VALUE

AN ALCO INDUSTRIES COMPANY  
 BEARING PRODUCTS  
 ODESSA, TX USA

SAF 22332 07-00 x 06-01  
 ASSEMBLY DRAWING  
 SCALE 1 = 3  
 DRAWN ---  
 DATE 12/30/70  
 CHECK: ---  
 ASSEMBLY NO.  
 DRAWING NO. C-14422