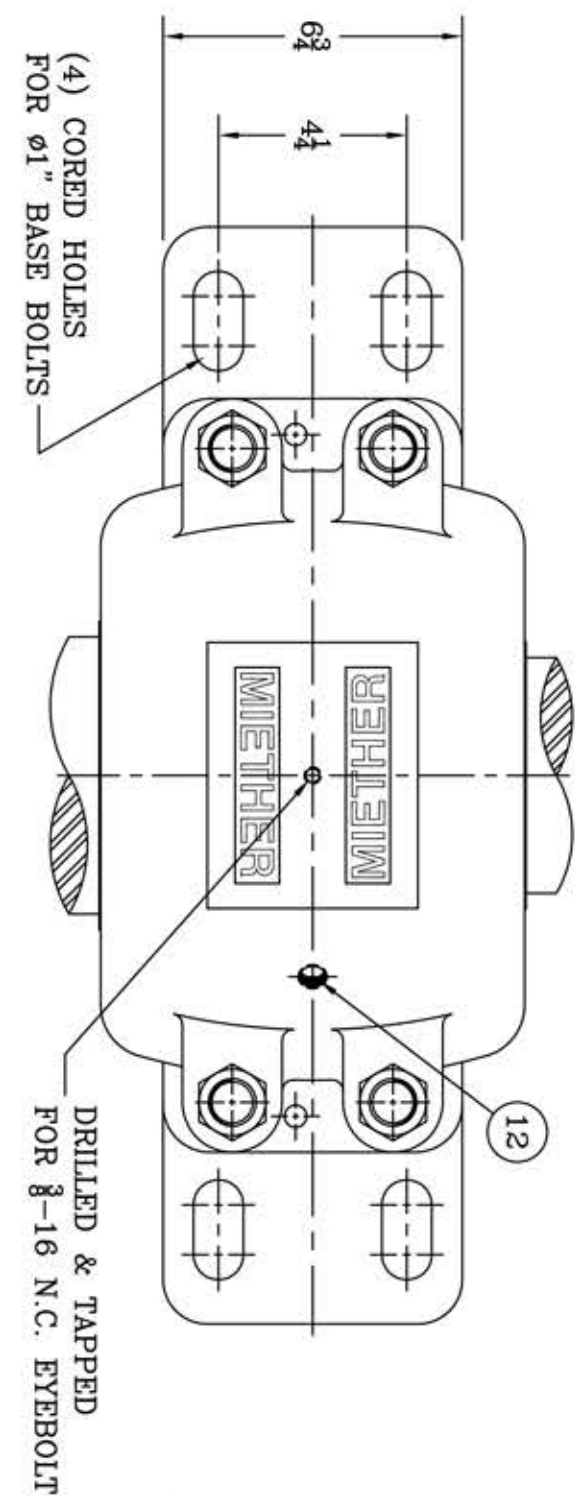
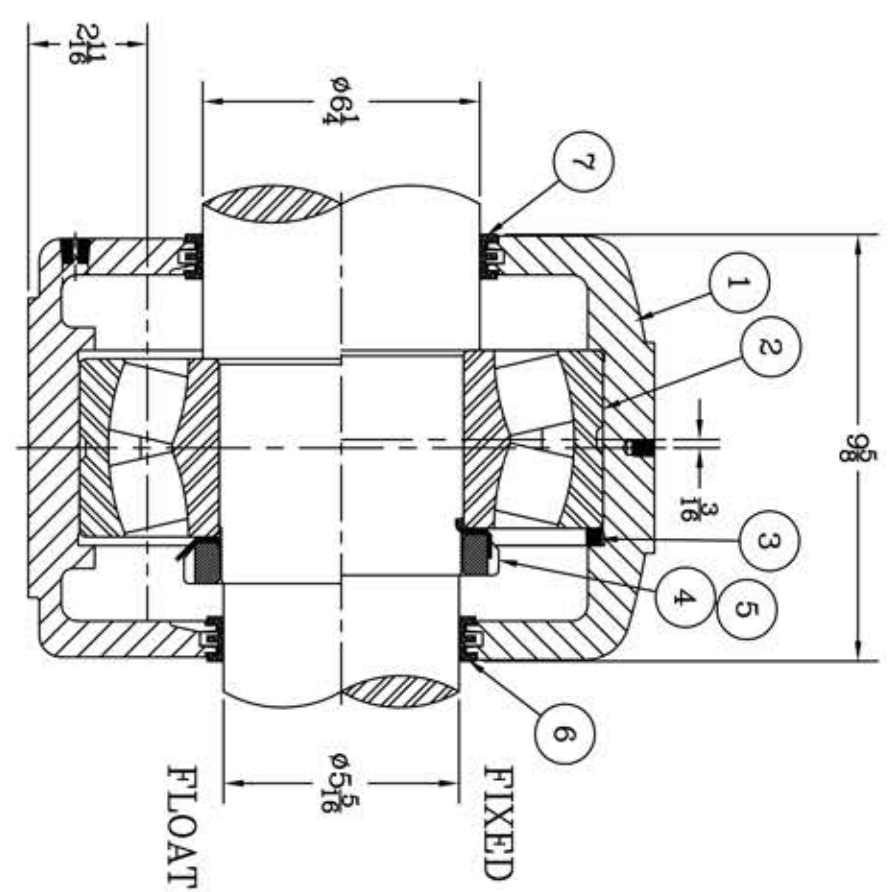
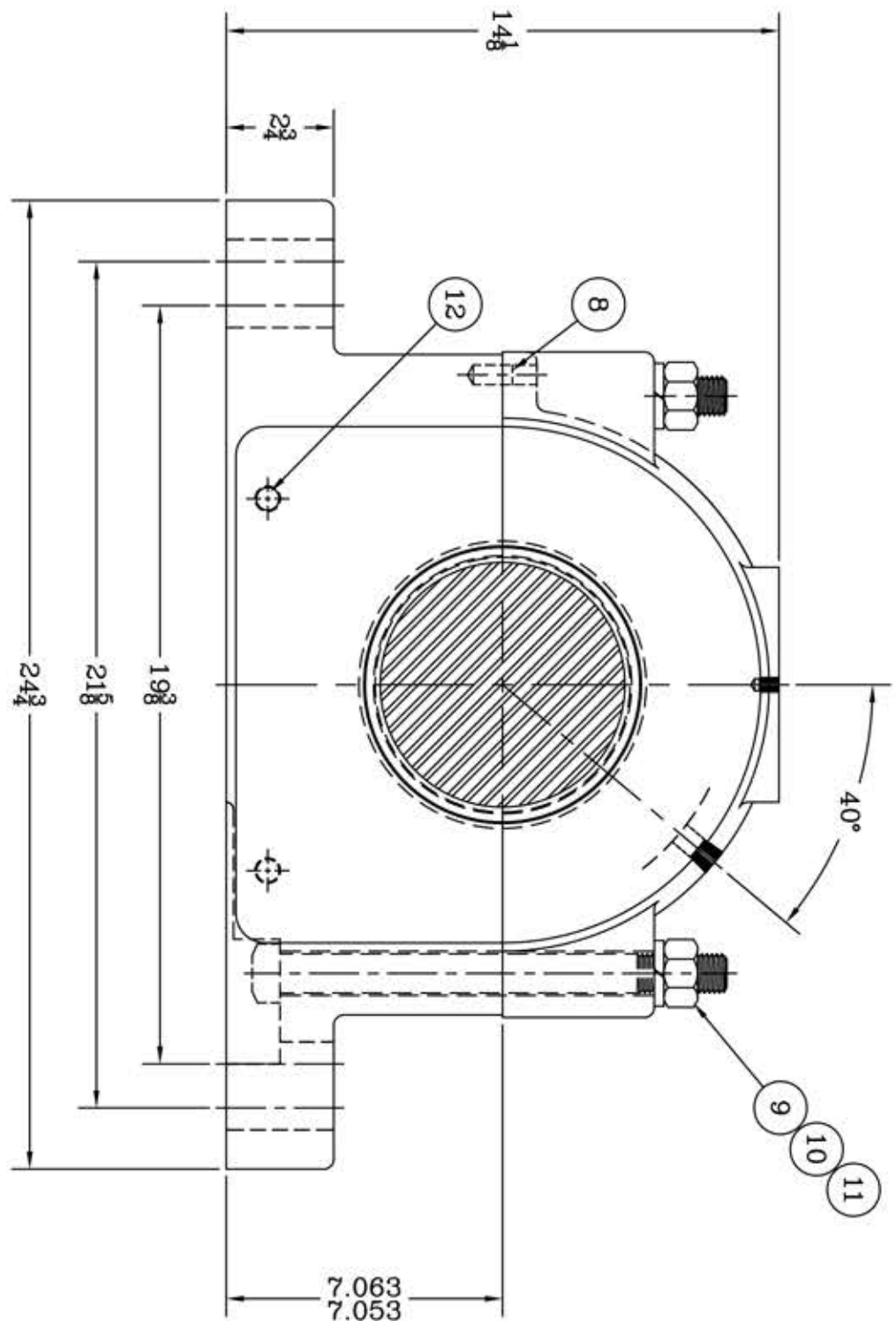


This drawing is the sole property of Miether Bearing Products and contains confidential and proprietary information. It is being provided to you for your use and may not be disclosed to any third party or used for any other purpose without Miether's prior written consent. The [materials] must be returned to the Company upon its demand. Your acceptance of these materials constitutes your acceptance of the foregoing terms.

C-35204



| ITEM | DESCRIPTION | DETAIL | REQUIRED |
|------|---------------------------|------------------------------|----------|
| 1 | HOUSING SAFD 328 | C- | 1 1 |
| 2 | SPHERICAL ROLLER BEARING | 22328/W-33 | 1 1 |
| 3 | STABILIZING RING | SR-0-28 A-10669 | 1 0 |
| 4 | LOCKNUT | AN-28 B-10418 | 1 1 |
| 5 | LOCKWASHER | W-28 00248 | 1 1 |
| 6 | TRIPLE SEAL RING | LER-127 A-10626 | 1 1 |
| 7 | TRIPLE SEAL RING | LER-144 A-10627 | 1 1 |
| 8 | DOWEL | $\phi \frac{1}{2}$ x 1" LONG | 2 2 |
| 9 | CAP BOLT SQUARE HEAD GR.5 | 1-8 NC x 1 1/2" LONG | 4 4 |
| 10 | CAP BOLT HEX. NUT | 1-8 NC | 4 4 |
| 11 | LOCKWASHER | 1" SPLIT MED. | 4 4 |
| 12 | PIPE PLUG | $\frac{3}{8}$ -18 NPT | 3 3 |



REVISIONS

| SYMBOL | DESCRIPTION |
|--------|-------------|
| C | 16 |
| D | 32 |
| E | 63 |
| F | 125 |
| G | 250 |
| J | 500 |
| K | 1000 |

TOLERANCE: UNLESS OTHERWISE SPECIFIED

FRACTIONS $\pm 1/32$ "

DECIMALS $\pm .005$ "

CASTING $\pm 1/16$ "

WELD $\pm 1/16$ "

ANGLES $\pm 30^\circ$

A.I.S.I. STANDARD FINISHES

AN ALCO INDUSTRIES COMPANY
BEARING PRODUCTS
ODESSA, TX. USA

SAFD 22328 06-04 x 05-05
ASSEMBLY DRAWING

SCALE 1 = 3
DRAWN PCF
DATE 12/31/12
CHK:

ASSEMBLY NO.
DRAWING NO.
C-35204