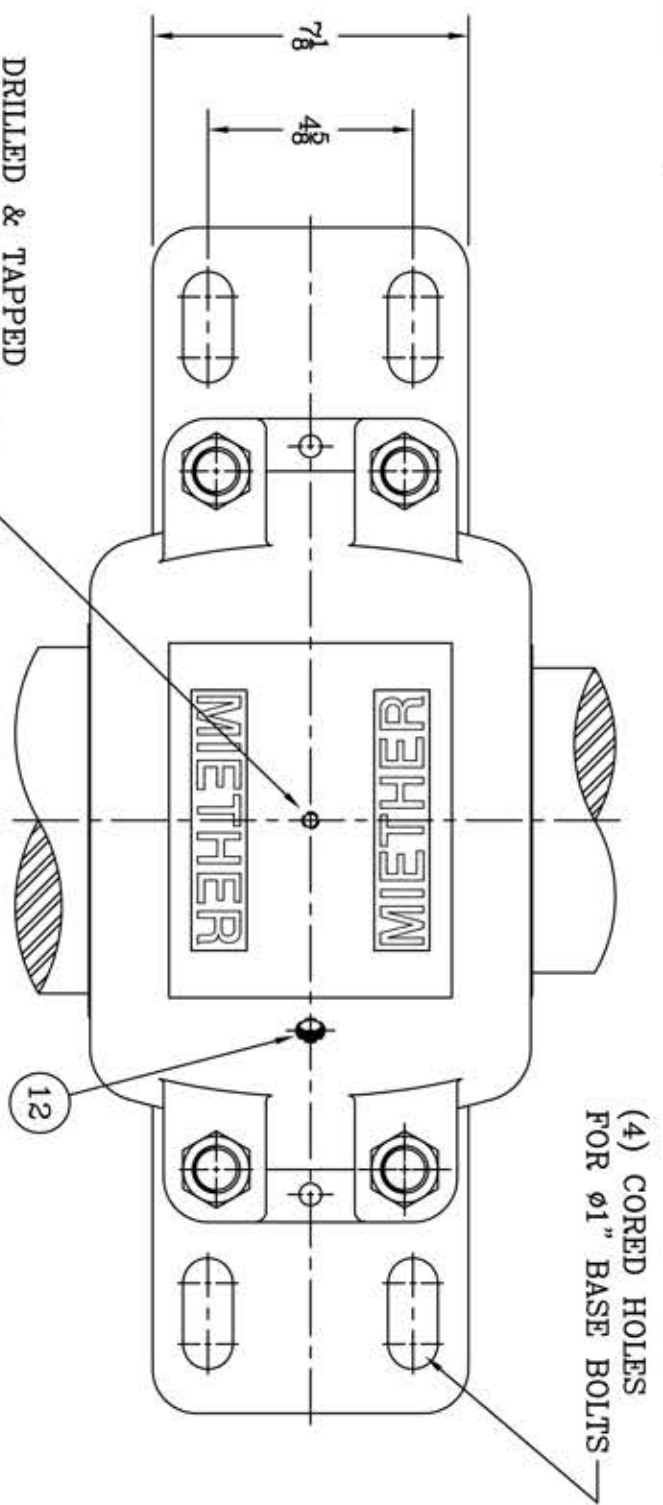


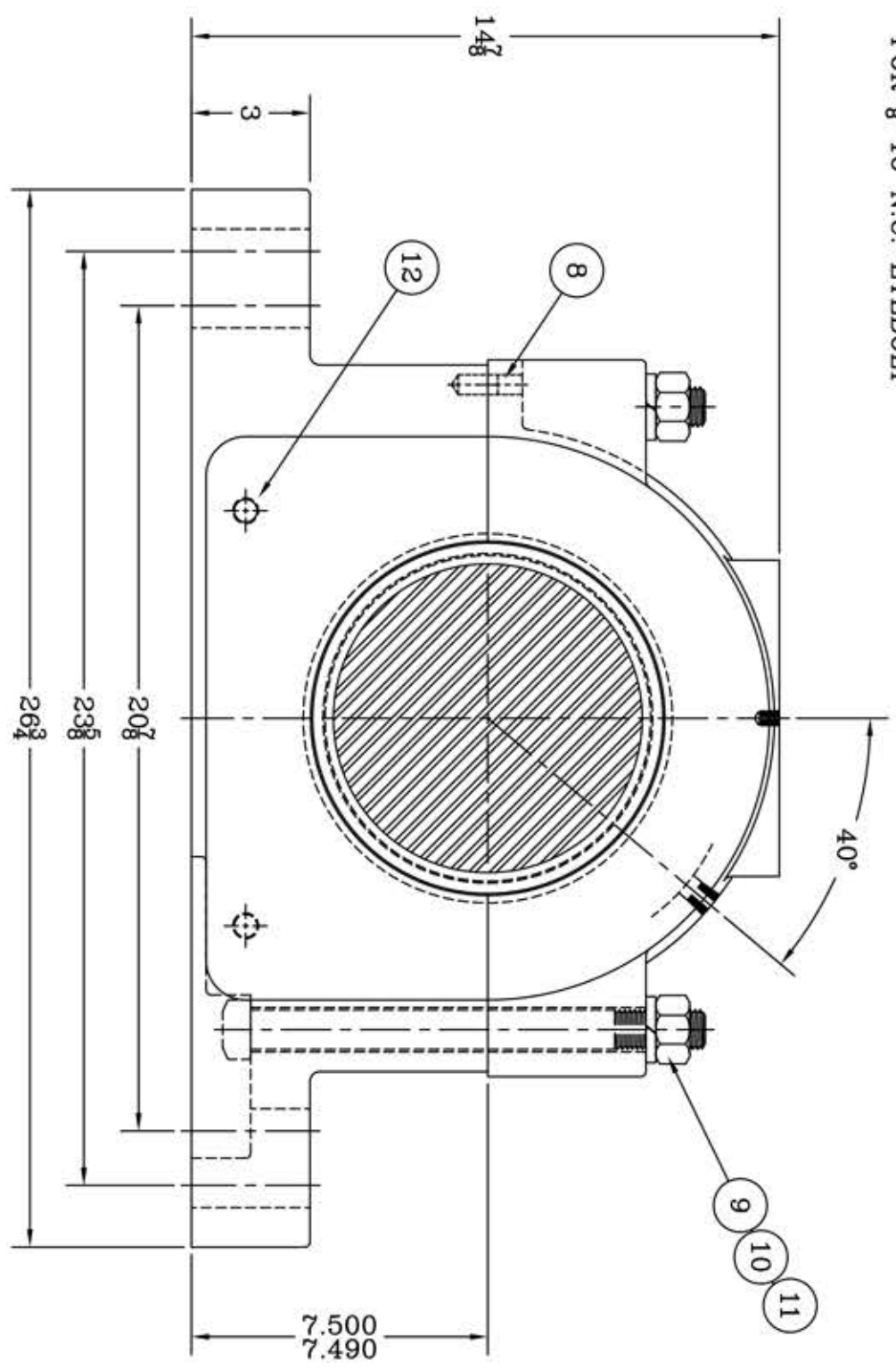
This drawing is the sole property of Miether Bearing Products and contains confidential and proprietary information. It is being provided to you for your use and may not be disclosed to any third party or used for any other purpose without Miether's prior written consent. The [materials] must be returned to the Company upon its demand. Your acceptance of these materials constitutes your acceptance of the foregoing terms.

C-35133

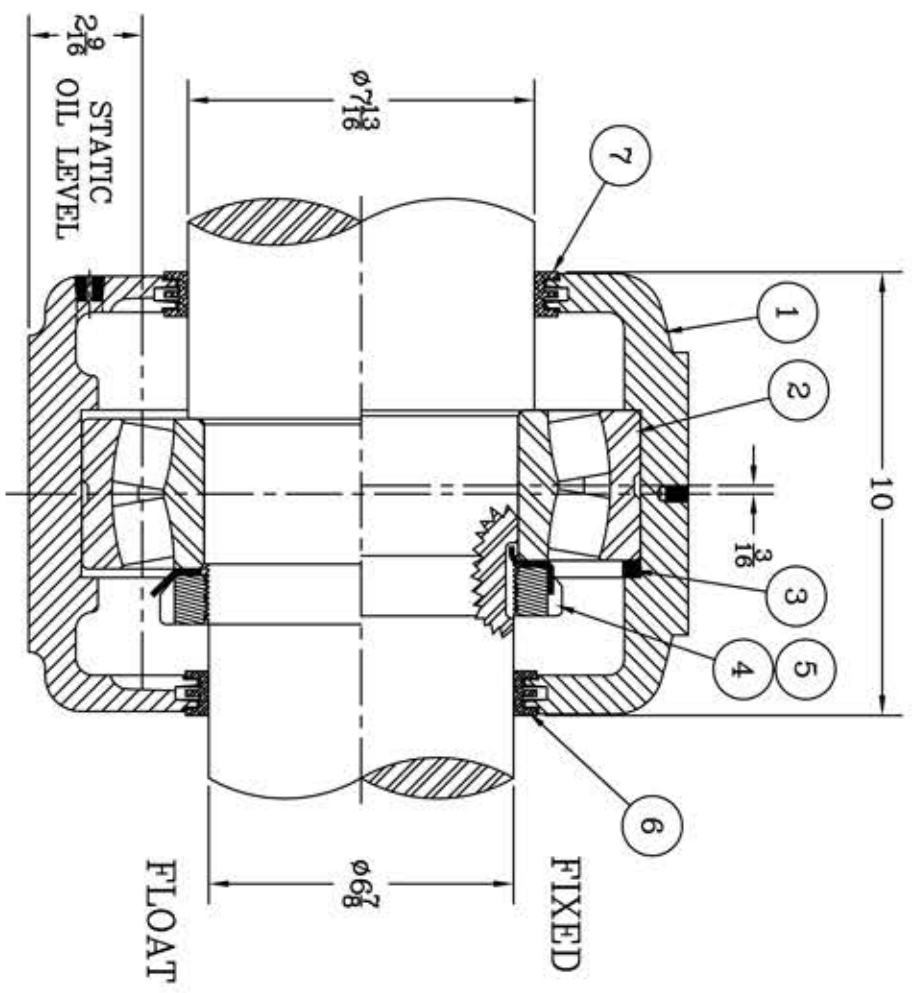


(4) CORED HOLES FOR $\phi 1$ " BASE BOLTS

DRILLED & TAPPED FOR $\frac{3}{8}$ -16 N.C. EYEBOLT



ITEM	DESCRIPTION	DETAIL	REQUIRED
1	HOUSING SAFD 236	C-	1 1
2	SPHERICAL ROLLER BEARING	22236/W-33	1 1
3	STABILIZING RING SR-36-30	A-10610	1 0
4	LOCKNUT AN-36	B-10422	1 1
5	LOCKWASHER W-36	00252	1 1
6	TRIPLE SEAL RING LER 154	A-10672	1 1
7	TRIPLE SEAL RING LER 165	A-10675	1 1
8	DOWEL	$\phi \frac{1}{2}$ x 1" LONG	2 2
9	CAP BOLT SQUARE HEAD GR 5	1-8 NC x 1 1/2" LONG	4 4
10	CAP BOLT HEX. NUT	1-8 NC	4 4
11	LOCKWASHER	1" SPLIT MED.	4 4
12	PIPE PLUG	$\frac{3}{8}$ -18 NPT	3 3



REVISIONS

SYMBOL	DESCRIPTION
C	
D	
E	
F	
G	
J	
K	

TOLERANCE: UNLESS OTHERWISE SPECIFIED
 FRACTIONS $\pm 1/32$ " ANGLES $\pm 0^\circ 30'$
 DECIMALS $\pm .005$ WELD $\pm 1/16$ "
 CASTING $\pm 1/16$ "

A.I.S.I. STANDARD FINISHES

MICRO-INCH VALUE	FINISH
16	C
32	D
63	E
125	F
250	G
500	J
1000	K

AN ALCO INDUSTRIES COMPANY
BEARING PRODUCTS
ODESSA, TX. USA

SAFD 22236 07-13 x 06-14
ASSEMBLY DRAWING

SCALE 1 = 3
DRAWN PCF
DATE 11/9/12
CHK:

ASSEMBLY NO.
DRAWING NO. C-35133