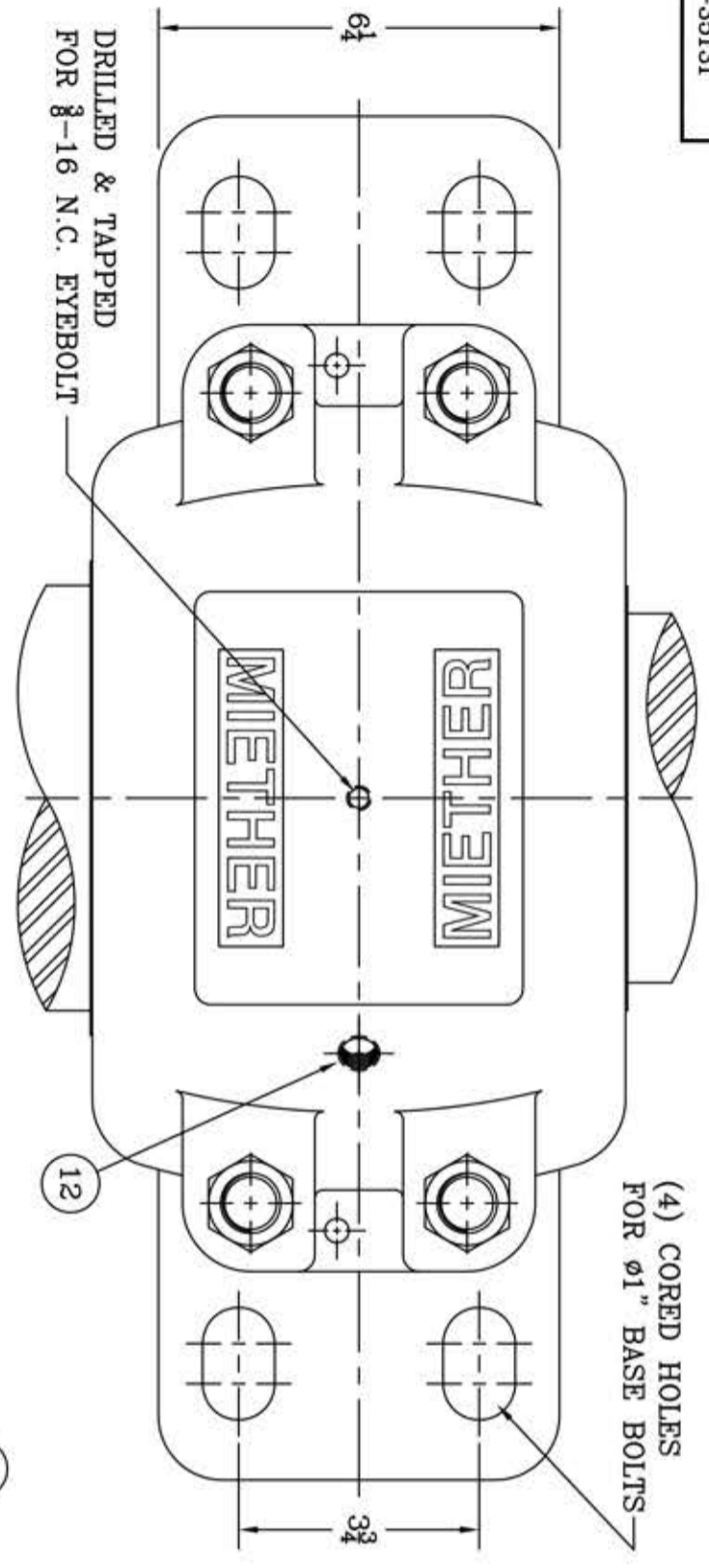


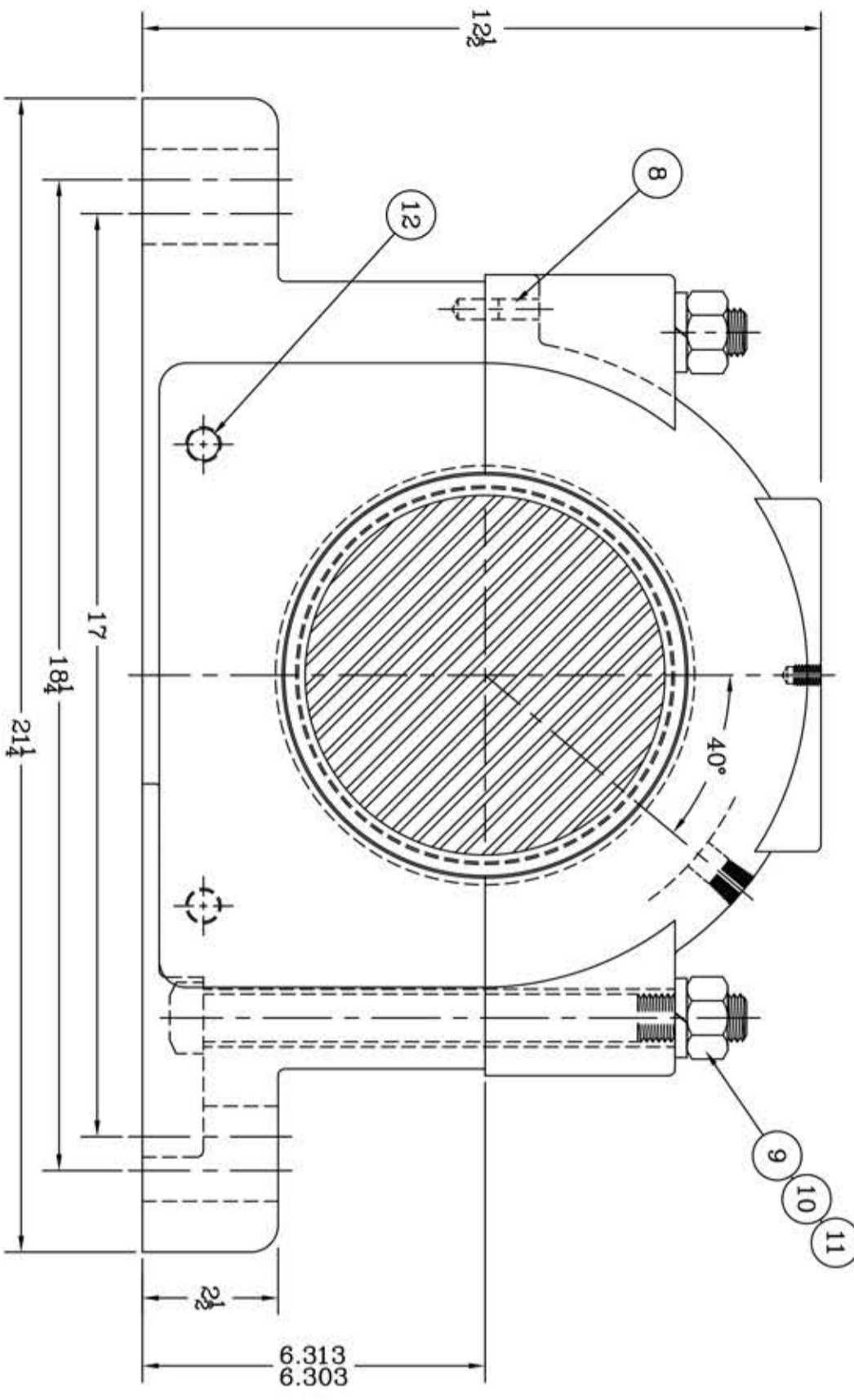
This drawing is the sole property of Miether Bearing Products and contains confidential and proprietary information. It is being provided to you for your use and may not be disclosed to any third party or used for any other purpose without Miether's prior written consent. The [materials] must be returned to the Company upon its demand. Your acceptance of these materials constitutes your acceptance of the foregoing terms.

C-35131

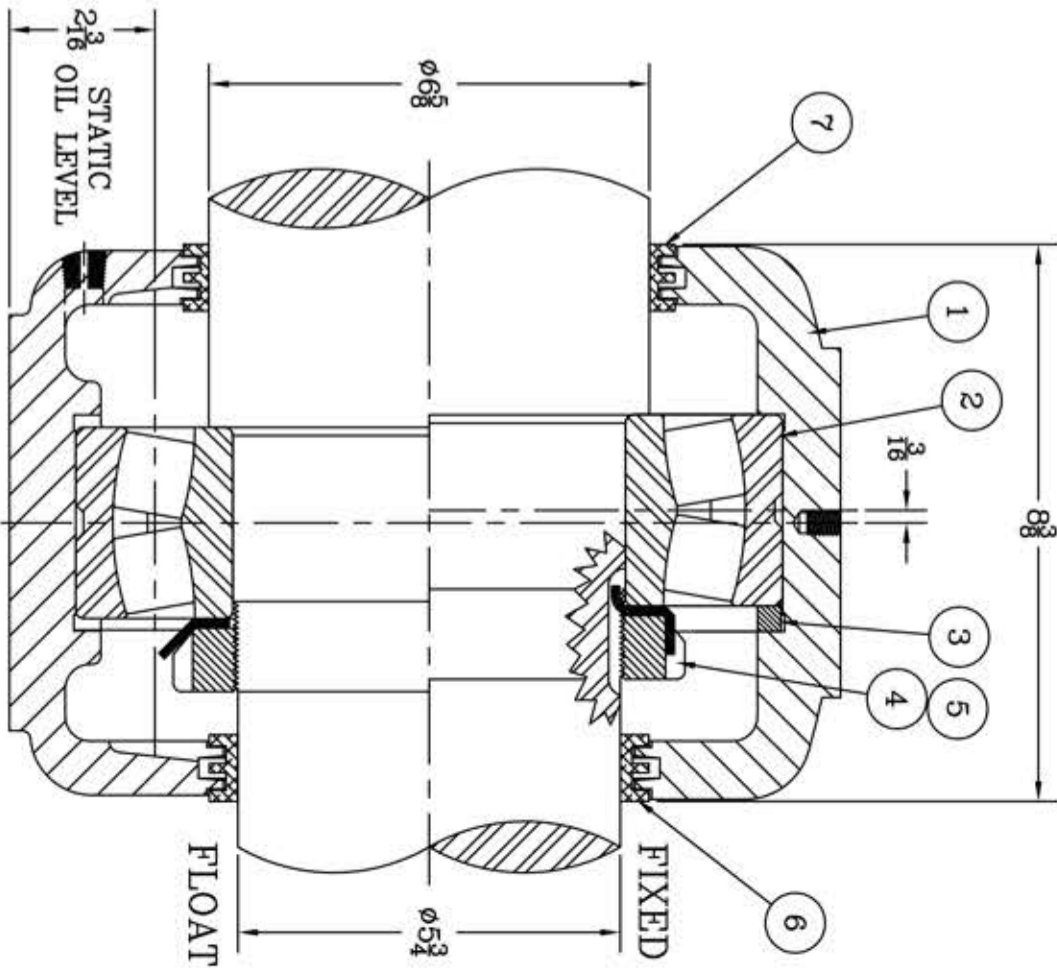


(4) CORED HOLES FOR  $\phi 1$ " BASE BOLTS

DRILLED & TAPPED FOR 3/8-16 N.C. EYEBOLT



ITEM	DESCRIPTION	DETAIL	REQUIRED
1	HOUSING SAFD-230	C-	1 1
2	SPHERICAL ROLLER BEARING	22230/W-33	1 1
3	STABILIZING RING SR-30-0	A-10607	1 0
4	LOCKNUT AN-30	B-10419	1 1
5	LOCKWASHER W-30	00249	1 1
6	TRIPLE SEAL RING LER-134	A-10621	1 1
7	TRIPLE SEAL RING LER-151	A-10620	1 1
8	DOWEL	$\phi 3/8$ x $3/4$ LONG	2 2
9	CAP BOLT SQUARE HEAD Gr 5	$7/8$ -9 NC x 10" LONG	4 4
10	CAP BOLT HEX. NUT	$7/8$ -9 NC	4 4
11	LOCKWASHER	$7/8$ SPLIT MED.	4 4
12	PIPE PLUG	$3/8$ -18 NPT	3 3



REVISIONS

SYMBOL	DATE	DESCRIPTION
V	16	
D	32	
E	63	
F	125	
G	250	
J	500	
K	1000	

TOLERANCE: UNLESS OTHERWISE SPECIFIED

FRACTIONS  $\pm 1/32$ " ANGLES  $\pm 0^\circ 30'$

DECIMALS  $\pm .005$  WELD  $\pm 1/16$ "

CASTING  $\pm 1/16$ "

A.I.S.I. STANDARD FINISHES

AN ALCO INDUSTRIES COMPANY  
BEARING PRODUCTS  
ODESSA, TX. USA

SAFD 22230 06-10 x 05-12  
ASSEMBLY DRAWING

SCALE HALF  
DRAWN PCF  
DATE 11/9/12  
CHK:

ASSEMBLY NO.  
DRAWING NO.  
C-35131