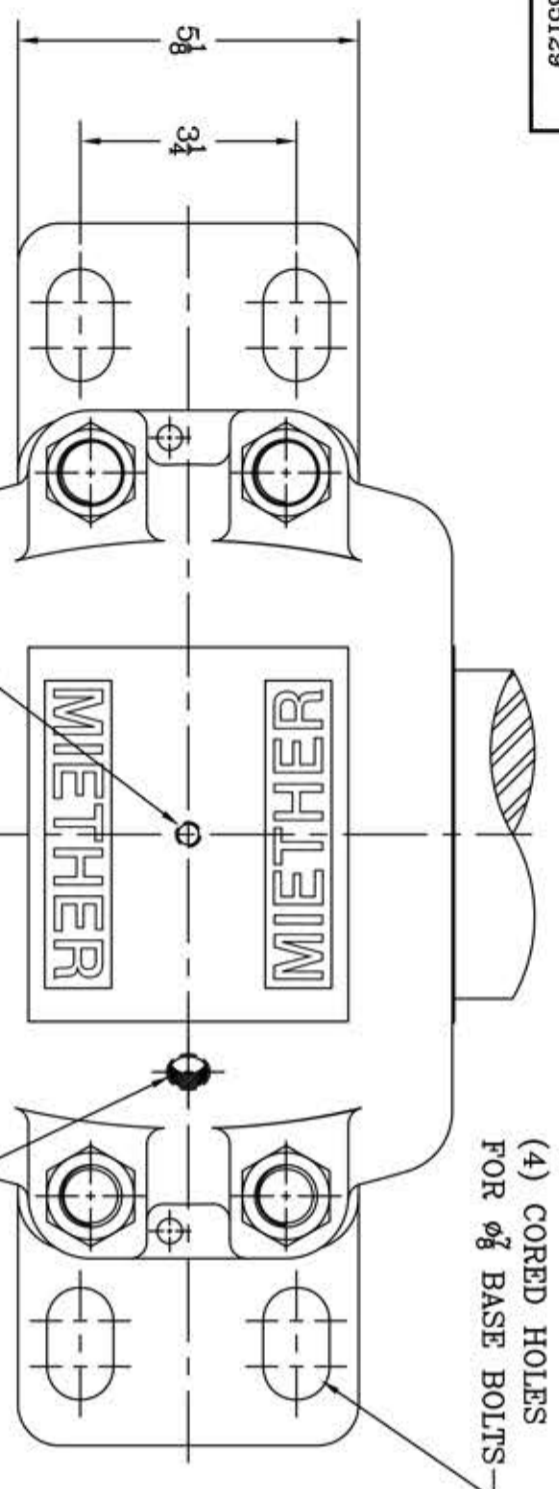
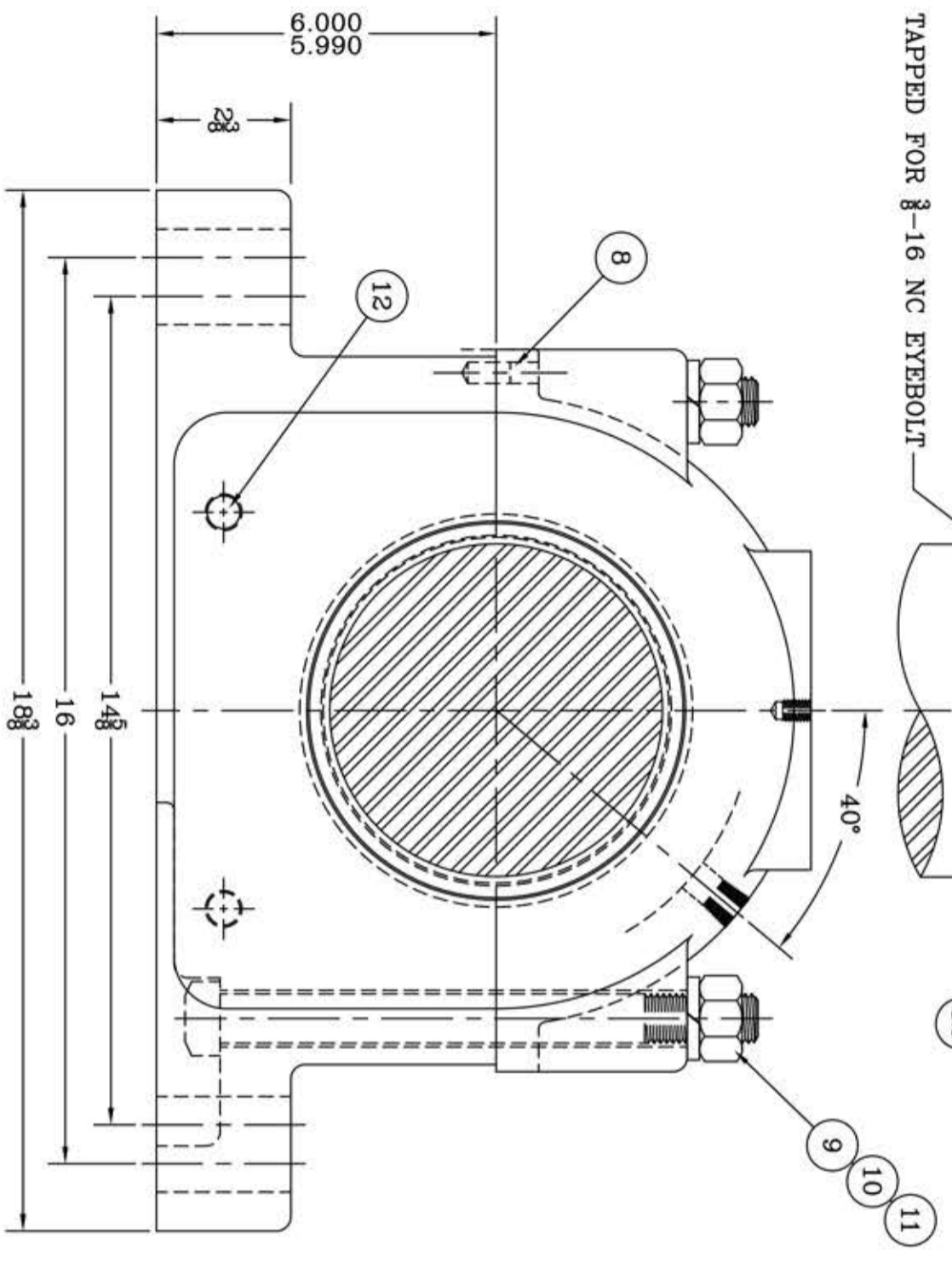


This drawing is the sole property of Miether Bearing Products and contains confidential and proprietary information. It is being provided to you for your use and may not be disclosed to any third party or used for any other purpose without Miether's prior written consent. The [materials] must be returned to the Company upon its demand. Your acceptance of these materials constitutes your acceptance of the foregoing terms.

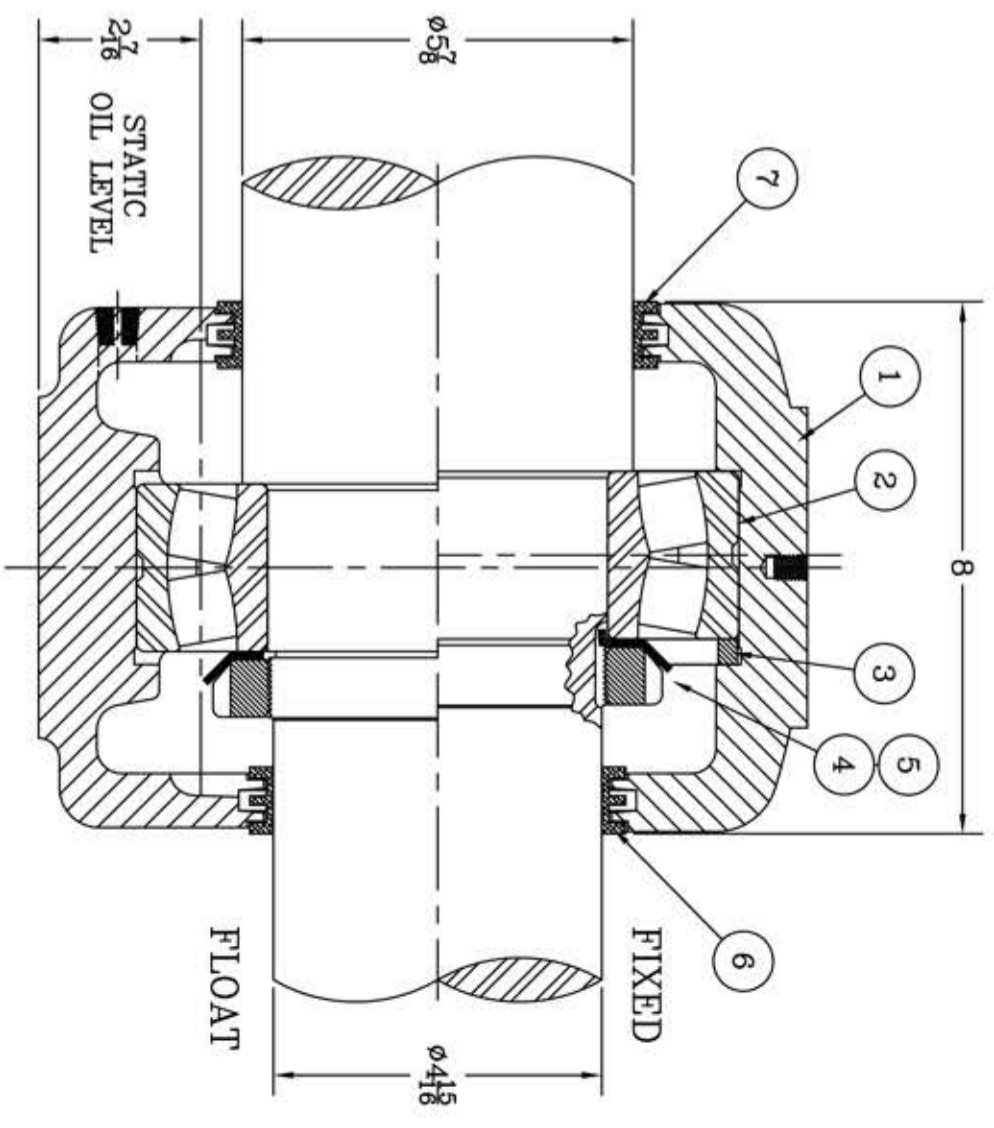
C-35129



(4) CORED HOLES FOR  $\phi$  BASE BOLTS



ITEM	DESCRIPTION	DETAIL	REQUIRED
1	HOUSING SAFD 226	C-	1 1
2	SPHERICAL ROLLER BEARING	22226/W-33	1 1
3	STABILIZING RING SR 26-0	A-10605	1 0
4	LOCKNUT AN-26	B-10417	1 1
5	LOCKWASHER W-26	00247	1 1
6	TRIPLE SEAL RING LER-122	A-10499	1 1
7	TRIPLE SEAL RING LER-136	A-10500	1 1
8	DOWEL $\phi$ 8 x 3/4 LONG		2 2
9	CAP BOLT SQUARE HEAD Gr 5 7/8-9 NC x 9 1/2 LONG		4 4
10	CAP BOLT HEX. NUT 7/8-9 NC		4 4
11	LOCKWASHER 7/8 SPLIT MED.		4 4
12	PIPE PLUG 3/8-18 NPT		3 3



REVISIONS

SYMBOL	DATE	DESCRIPTION
C	16	
D	32	
E	63	
F	125	
G	250	
J	500	
K	1000	

TOLERANCE: UNLESS OTHERWISE SPECIFIED  
 FRACTIONS  $\pm$  1/32"  
 DECIMALS  $\pm$  .005"  
 CASTING  $\pm$  1/16"  
 ANGLES  $\pm$  0° 30'  
 WELD  $\pm$  1/16"  
 A.I.S.I. STANDARD FINISHES

AN ALCO INDUSTRIES COMPANY  
 BEARING PRODUCTS  
 ODESSA, TX. USA

SAFD 22226 05-14 x 04-15  
 ASSEMBLY DRAWING  
 SCALE HALF  
 DRAWN PCF  
 DATE 11-9-12  
 CHK:

ASSEMBLY NO.  
 DRAWING NO.  
 C-35129