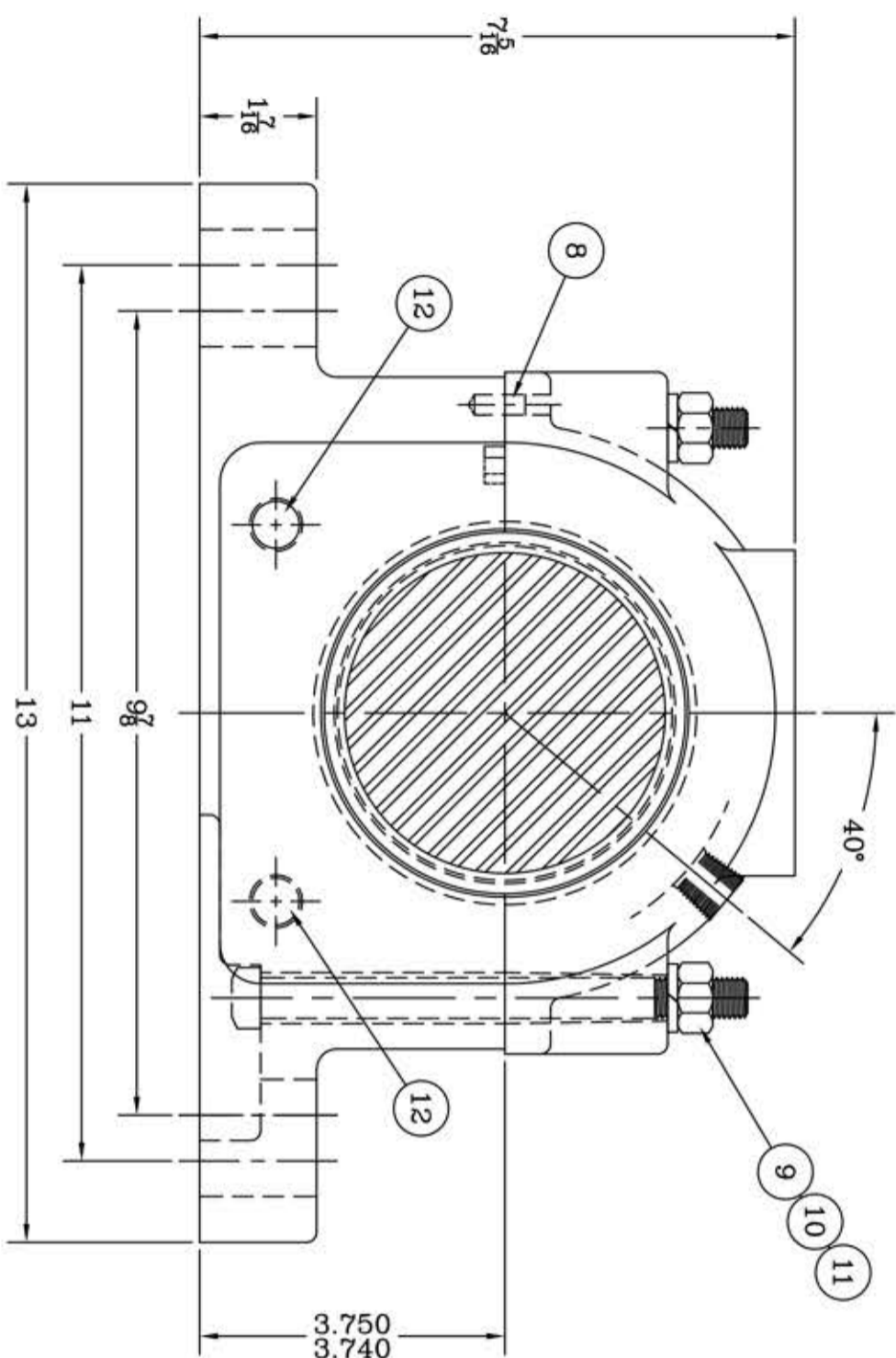
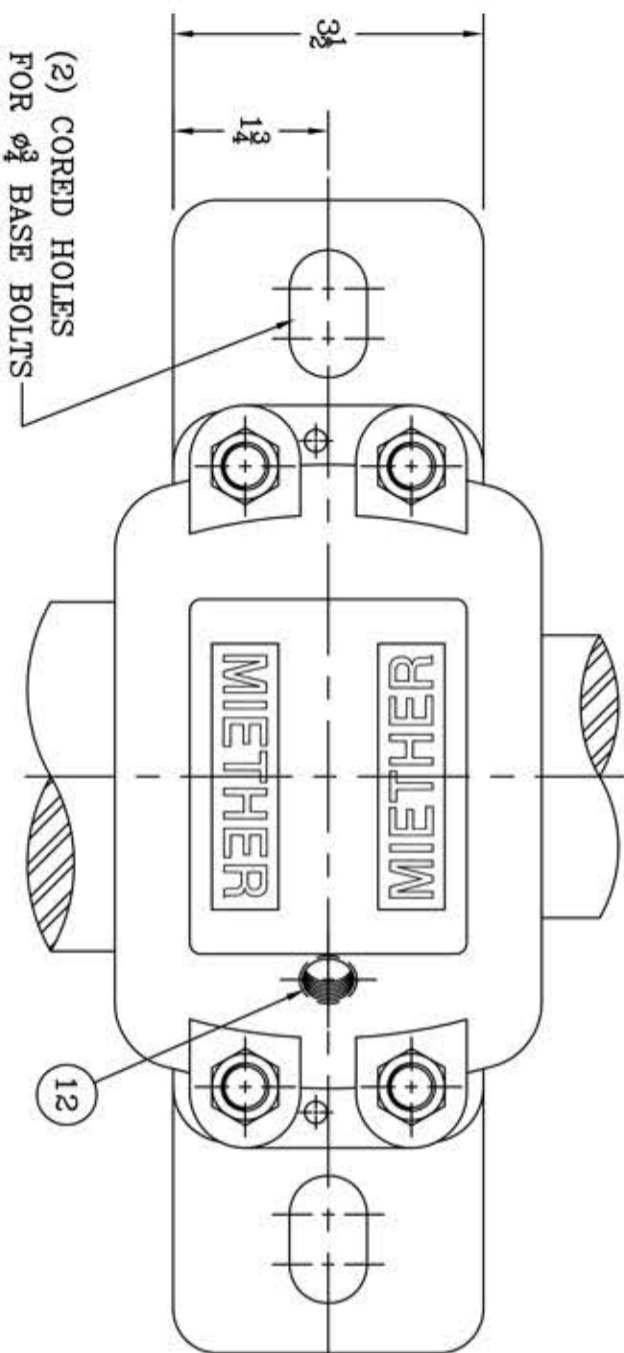
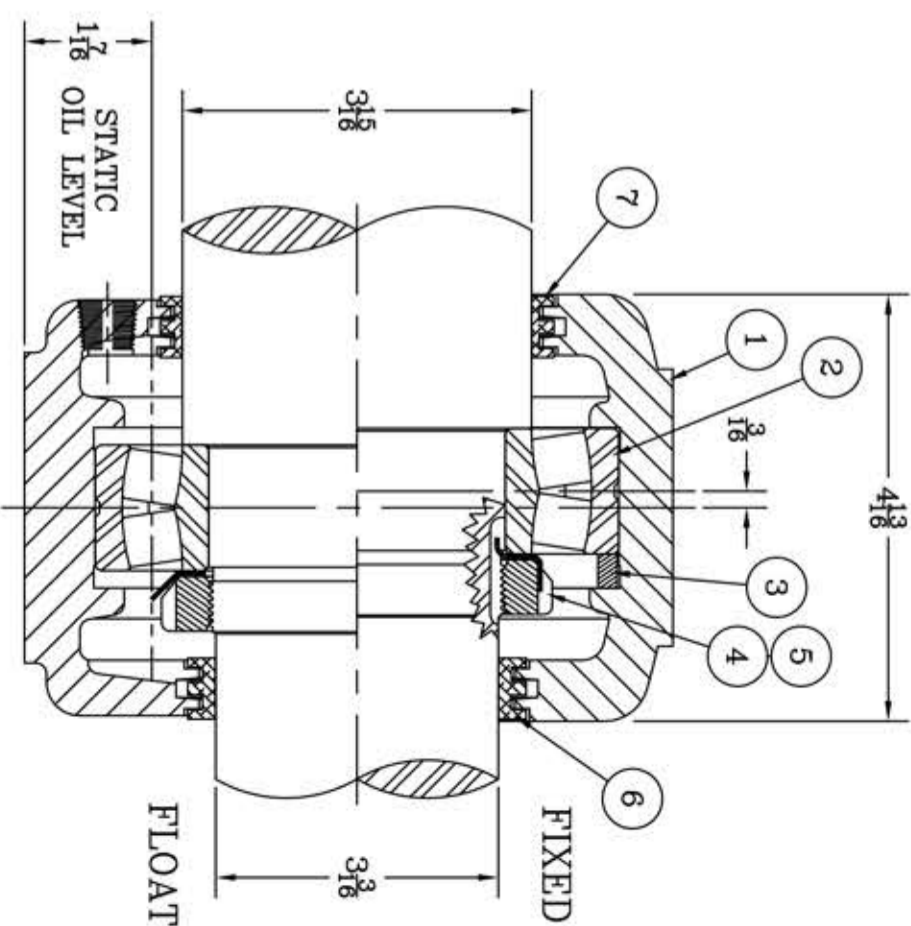


This drawing is the sole property of Miether Bearing Products and contains confidential and proprietary information. It is being provided to you for your use and may not be disclosed to any third party or used for any other purpose without Miether's prior written consent. The [materials] must be returned to the Company upon its demand. Your acceptance of these materials constitutes your acceptance of the foregoing terms.

C-35119



ITEM	DESCRIPTION	DETAIL	REQUIRED
1	HOUSING SAFD 217	C-	1 1
2	SPHERICAL ROLLER BEARING	22217/W-33	1 1
3	STABILIZING RING SR-17-14	A-10600	1 0
4	LOCKNUT AN-17	B-11939	1 1
5	LOCKWASHER W-17	A-18925	1 1
6	TRIPLE SEAL RING LER 63	A-10991	1 1
7	TRIPLE SEAL RING LER 89	A-10990	1 1
8	DOWEL $\phi 1/2$ x $3/8$ LONG		2 2
9	CAP BOLT SQUARE HEAD Gr 5 $1/2$ -13 NC x 6" LONG		4 4
10	CAP BOLT HEX. NUT $1/2$ -13 NC		4 4
11	LOCKWASHER $1/2$ SPLIT MED.		4 4
12	PIPE PLUG $3/8$ -18 NPT		3 3



REVISIONS	
SYMBOL	VALUE
$\checkmark$	16
$\nabla$	32
$\nabla$	63
$\nabla$	125
$\nabla$	250
$\nabla$	500
$\nabla$	1000

TOLERANCE: UNLESS OTHERWISE SPECIFIED	
FRACTIONS $\pm 1/32$ "	ANGLES $\pm 0^\circ 30'$
DECIMALS $\pm .005$	WELD $\pm 1/16$ "
A.I.S.I. STANDARD FINISHES	

AN ALCO INDUSTRIES COMPANY  
BEARING PRODUCTS  
ODESSA, TX. USA

SCALE	ASSEMBLY NO.
1 = 1.5	

DATE	DRAWING NO.
11/9/12	C-35119

SAFD 22217 03-15 x 03-03  
ASSEMBLY DRAWING