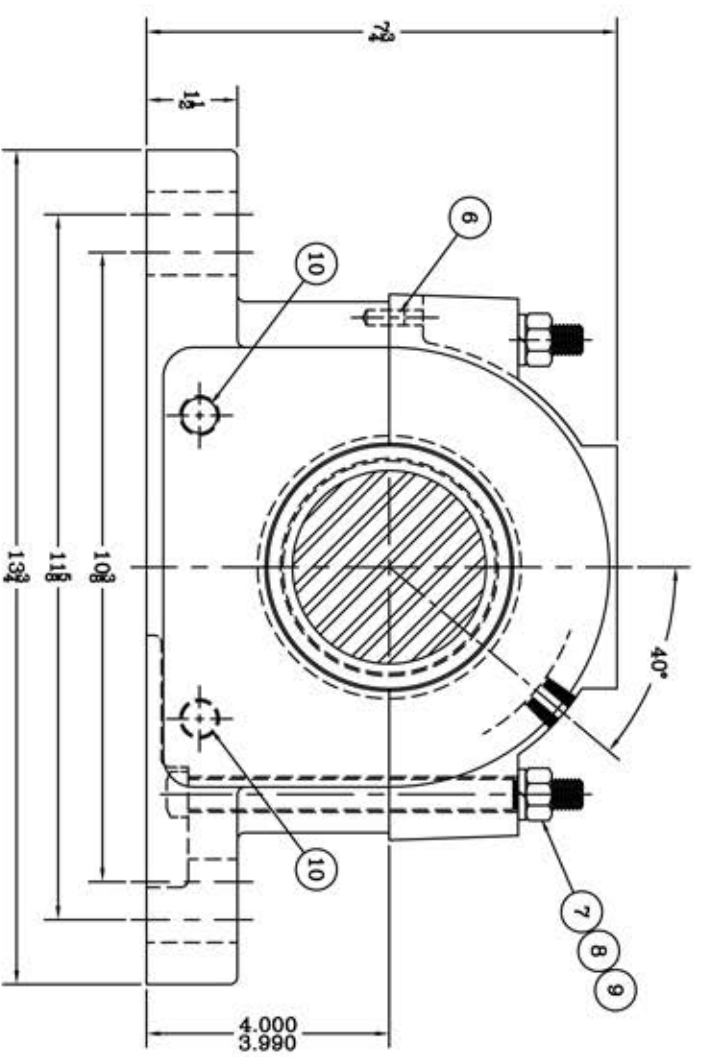
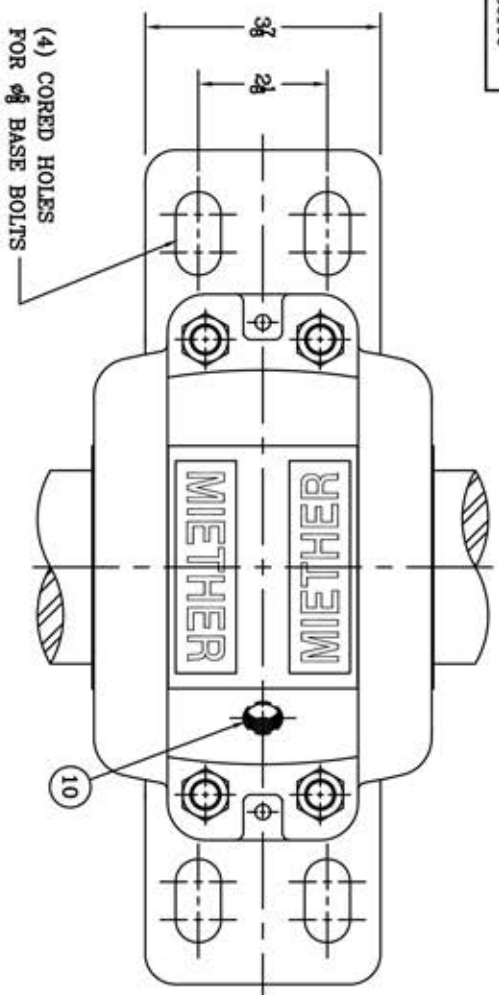
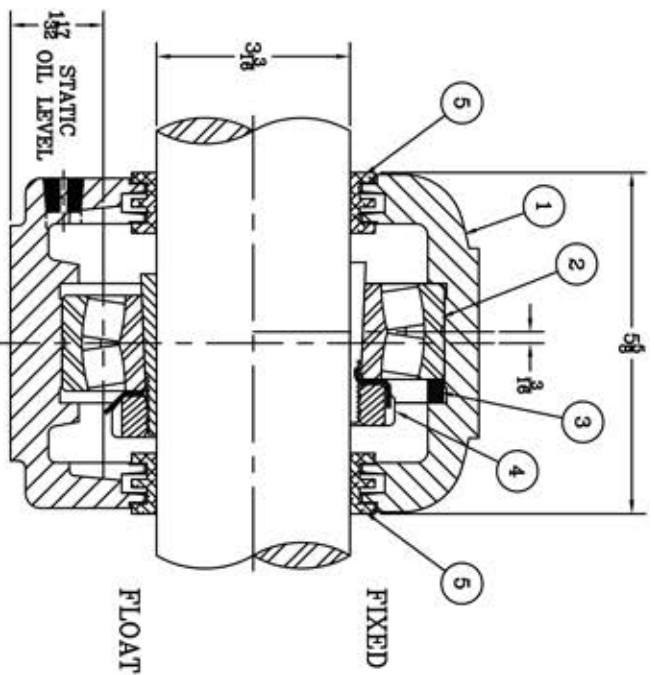


This drawing is the sole property of Miether Bearing Products and contains confidential and proprietary information. It is being provided to you for your use and may not be disclosed to any third party or used for any other purpose without Miether's prior written consent. The [materials] must be returned to the Company upon its demand. Your acceptance of these materials constitutes your acceptance of the foregoing terms.

C-35190



ITEM	DESCRIPTION	DETAIL	REQUIREMENTS FOR M.F.
1	HOUSING FSAPD 518	C-	1 1
2	SPHERICAL ROLLER BEARING 22218K/W-33		1 1
3	STABILIZING RING SR-18-15	A-10601	1 0
4	ADAPTER SNW-18 03-03	B-24413	1 1
5	TRIPLE SEAL RING LER-188	A-11797	2 2
6	DOWEL $\phi 1/8$ x $1/2$ LONG		2 2
7	CAP BOLT SQUARE HEAD GR. 5 $1/2$ -13 NC x $3/4$ " LONG		4 4
8	CAP BOLT HEX. NUT $1/2$ -13 NC		4 4
9	LOCKWASHER $1/2$ SPLIT MED.		4 4
10	PIPE PLUG $1/2$ -18 NPT		3 3



REVISIONS		TOLERANCE: UNLESS OTHERWISE SPECIFIED	
SYMBOL	DATE	FRACTIONS \pm 1/32"	ANGLES \pm 0° 30'
16	32	DECIMALS \pm .0005"	WELD \pm 1/16"
63	125	AISI STANDARD FINISHES	
125	250	CASTING \pm 1/16"	
500	1000		

AN ALCO INDUSTRIES COMPANY
BEARING PRODUCTS
ODESSA, TX USA

FSAPD 22518 03-03	ASSEMBLY DRAWING
SCALE 1 = 1.5	ASSEMBLY NO.
DRAWN PCP	DRAWING NO.
DATE 12/28/12	CHK.
C-35190	