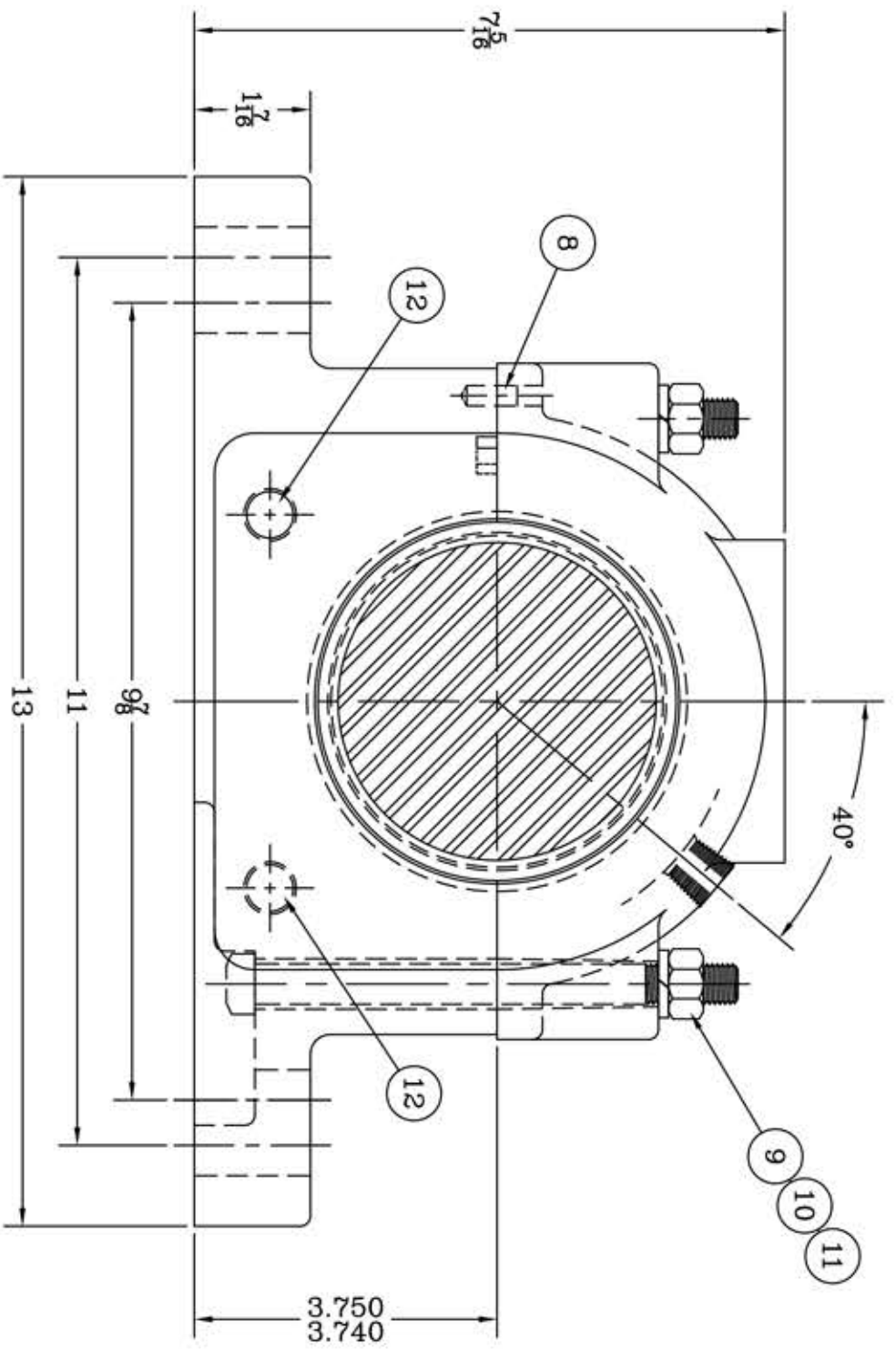
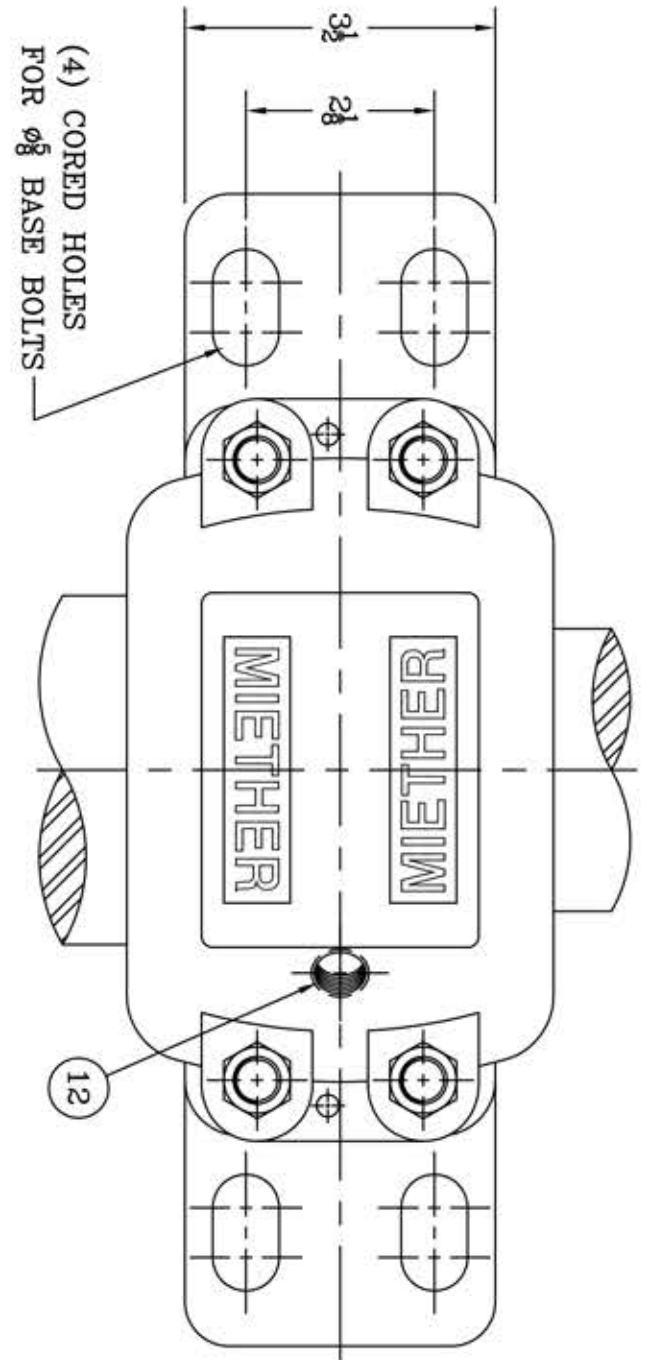
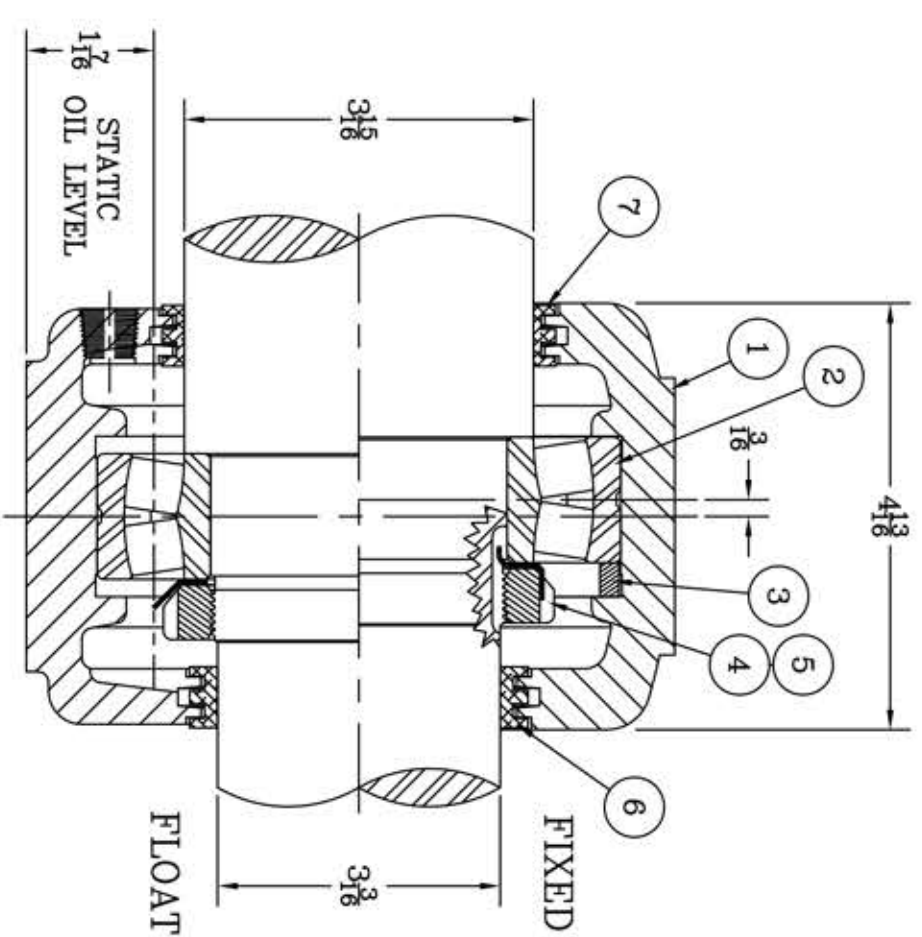


This drawing is the sole property of Miether Bearing Products and contains confidential and proprietary information. It is being provided to you for your use and may not be disclosed to any third party or used for any other purpose without Miether's prior written consent. The [materials] must be returned to the Company upon its demand. Your acceptance of these materials constitutes your acceptance of the foregoing terms.

C-35124



| ITEM | DESCRIPTION | DETAIL | REQUIRED |
|------|---------------------------|---------------------|----------|
| 1 | HOUSING FSAFD 217 | C- | 1 1 |
| 2 | SPHERICAL ROLLER BEARING | 22217/W-33 | 1 1 |
| 3 | STABILIZING RING | SR-17-14 | 1 0 |
| 4 | LOCKNUT | AN-17 | 1 1 |
| 5 | LOCKWASHER | W-17 | 1 1 |
| 6 | TRIPLE SEAL RING | LER 63 | 1 1 |
| 7 | TRIPLE SEAL RING | LER 89 | 1 1 |
| 8 | DOWEL | Ø 1/2 x 3/8 LONG | 2 2 |
| 9 | CAP BOLT SQUARE HEAD Gr 5 | 1/2-13 NC x 6" LONG | 4 4 |
| 10 | CAP BOLT HEX NUT | 1/2-13 NC | 4 4 |
| 11 | LOCKWASHER | 1/2 SPLIT MED. | 4 4 |
| 12 | PIPE PLUG | 3/8-18 NPT | 3 3 |



REVISIONS

| SYMBOL | DESCRIPTION | MICRO-INCH VALUE |
|--------|-------------|------------------|
| C | | 16 |
| D | | 32 |
| E | | 63 |
| F | | 125 |
| G | | 250 |
| J | | 500 |
| K | | 1000 |

TOLERANCE: UNLESS OTHERWISE SPECIFIED
 FRACTIONS +- 1/32"
 DECIMALS +- .005"
 CASTING +- 1/16"
 WELD +- 1/16"
 ANGLES +- 0°-30°

A.I.S.I. STANDARD FINISHES

AN ALCO INDUSTRIES COMPANY
 BEARING PRODUCTS
 ODESSA, TX. USA

FSAFD 22217 03-15 x 03-03
 ASSEMBLY DRAWING
 SCALE 1 = 1.5
 DRAWN PCF
 DATE 11-9-12
 CHECK:
 ASSEMBLY NO.
 DRAWING NO.
 C-35124