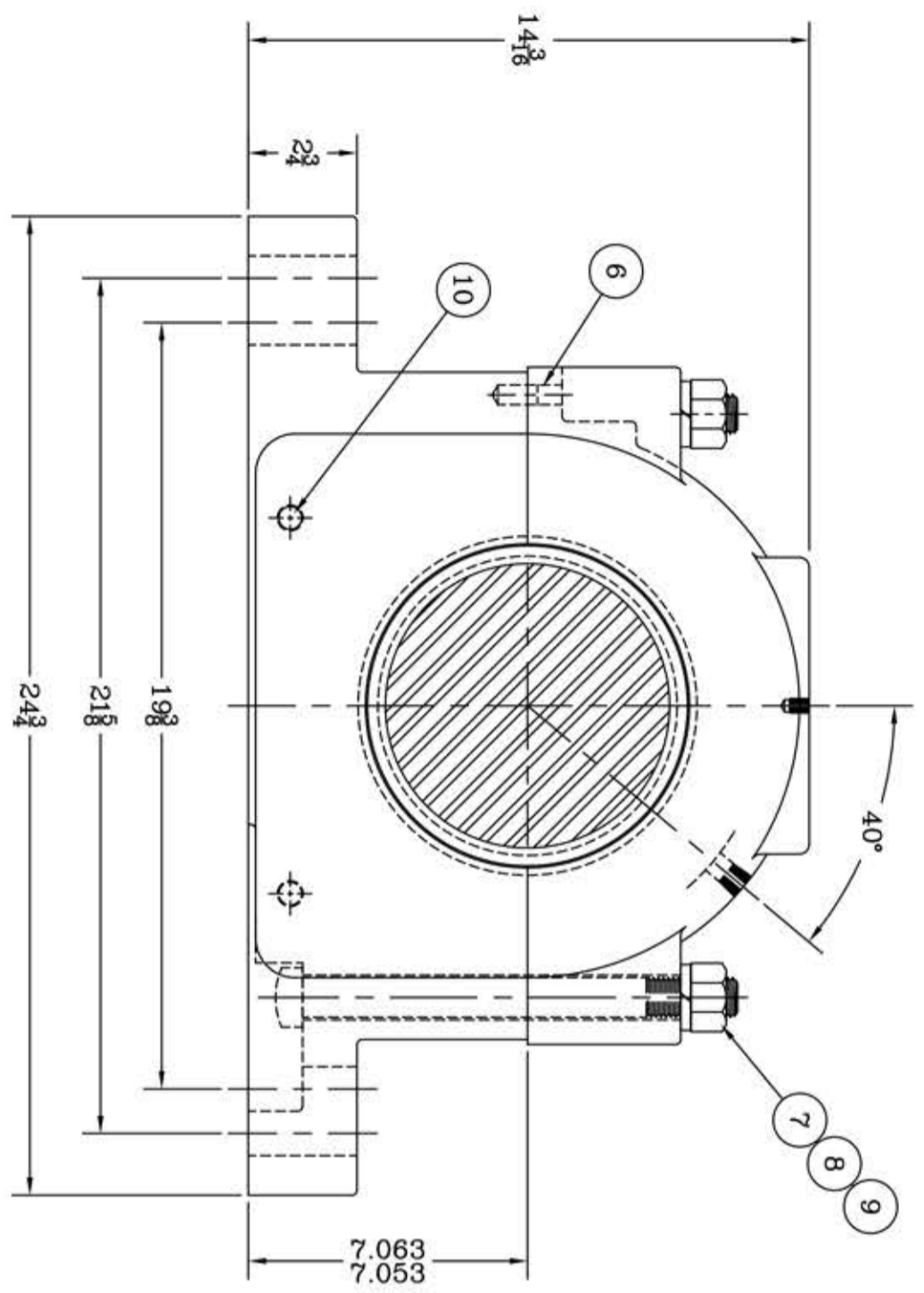
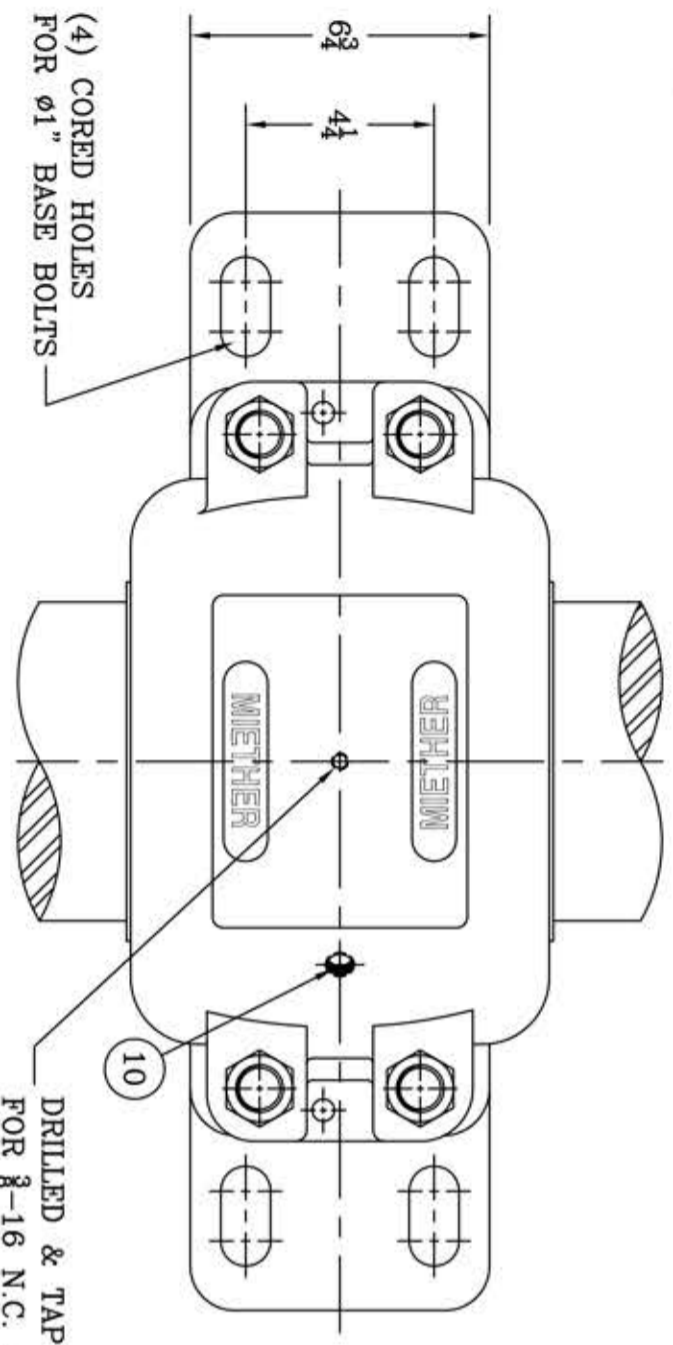
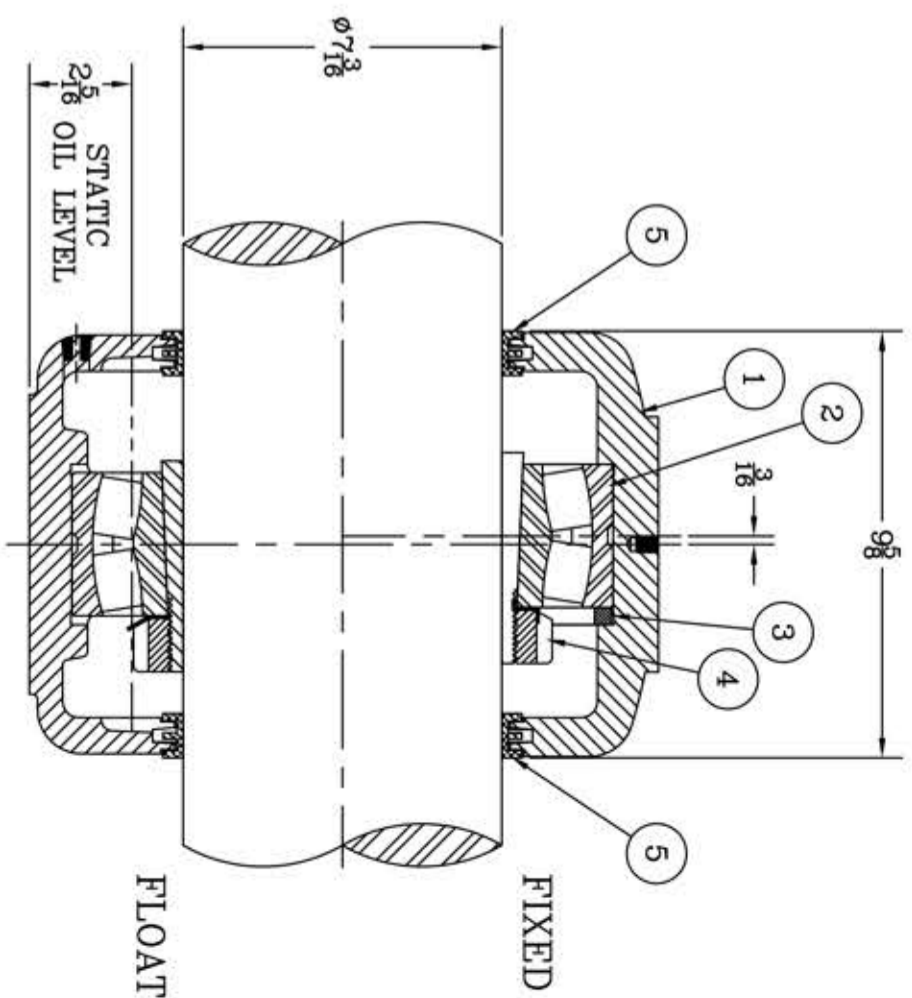


This drawing is the sole property of Miether Bearing Products and contains confidential and proprietary information. It is being provided to you for your use and may not be disclosed to any third party or used for any other purpose without Miether's prior written consent. The [materials] must be returned to the Company upon its demand. Your acceptance of these materials constitutes your acceptance of the foregoing terms.

C-14280



ITEM	DESCRIPTION	DETAIL	REQUIRED
1	HOUSING SAF 040K 07-03	C-15424	1 1
2	SPHERICAL ROLLER BEARING	23040K/W-33	1 1
3	STABILIZING RING SR 34-0	A-10609	1 0
4	ADAPTER SNW 3040 07-03	24499	1 1
5	TRIPLE SEAL RING LER-159	A-10589	2 2
6	DOWEL	φ 1/2 x 1" LONG	2 2
7	CAP BOLT SQUARE HEAD	1-8 NC x 1 1/2" LONG	4 4
8	CAP BOLT HEX. NUT	1-8 NC	4 4
9	LOCKWASHER	1" SPLIT MED.	4 4
10	PIPE PLUG	3/8-18 NPT	3 3



REDRAWN FOR CONFORMITY RWB per KAB 4-20-04
 REDRAWN TO SCALE per KAB by RWB 5-8-03

REVISIONS

SYMBOL	DESCRIPTION
C	16
D	32
E	63
F	125
G	250
J	500
K	1000

TOLERANCE: UNLESS OTHERWISE SPECIFIED
 FRACTIONS ± 1/32" ANGLES ± 0°-30'
 DECIMALS ± .005" WELD ± 1/16"
 CASTING ± 1/16"

A.I.S.I. STANDARD FINISHES

AN ALCO INDUSTRIES COMPANY
 BEARING PRODUCTS
 ODESSA, TX. USA

SAF 23040 K 07-03	ASSEMBLY NO.
ASSEMBLY DRAWING	SCALE 1 = 3
DRAWN BDB	DATE 9-13-89
DATE 9-13-89	DRAWING NO. C-14280
CHK:	