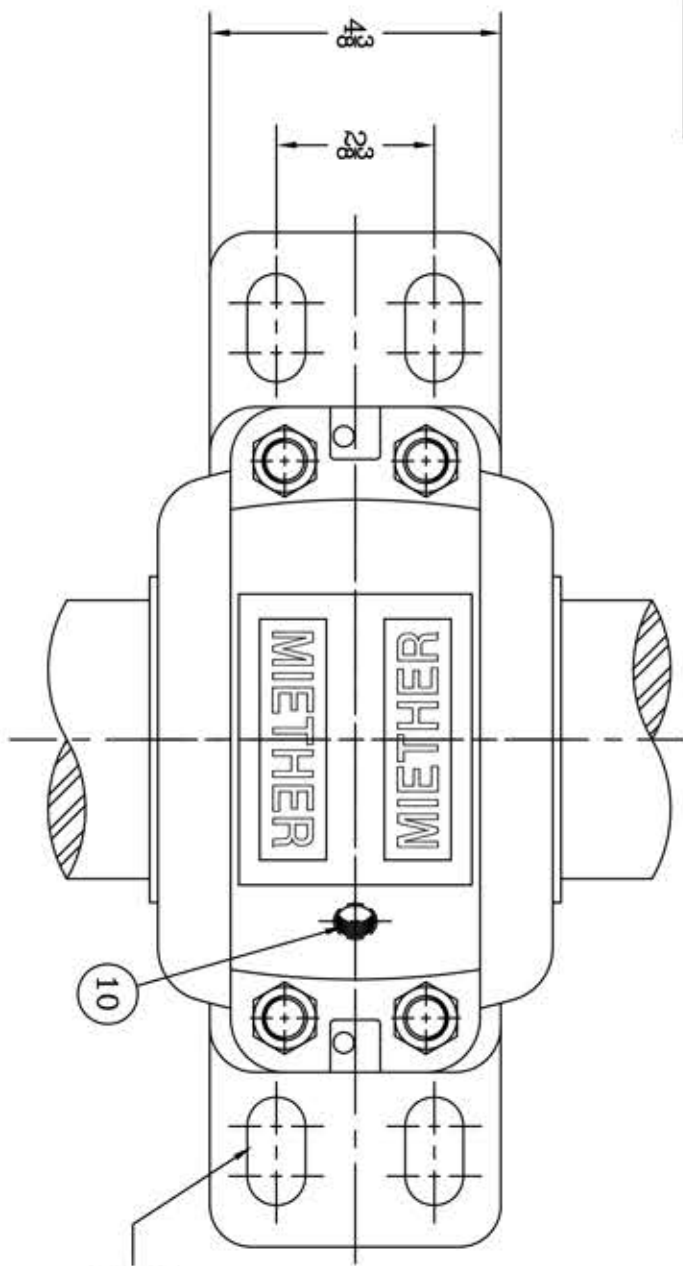


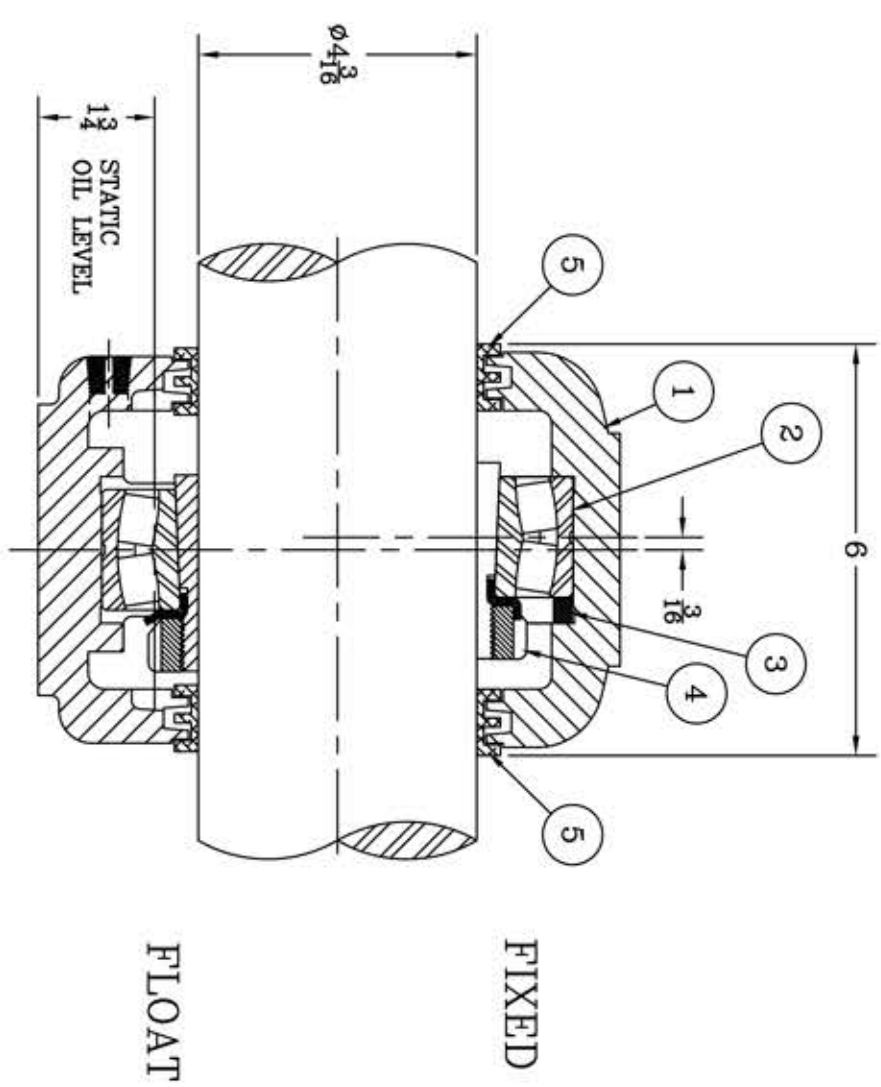
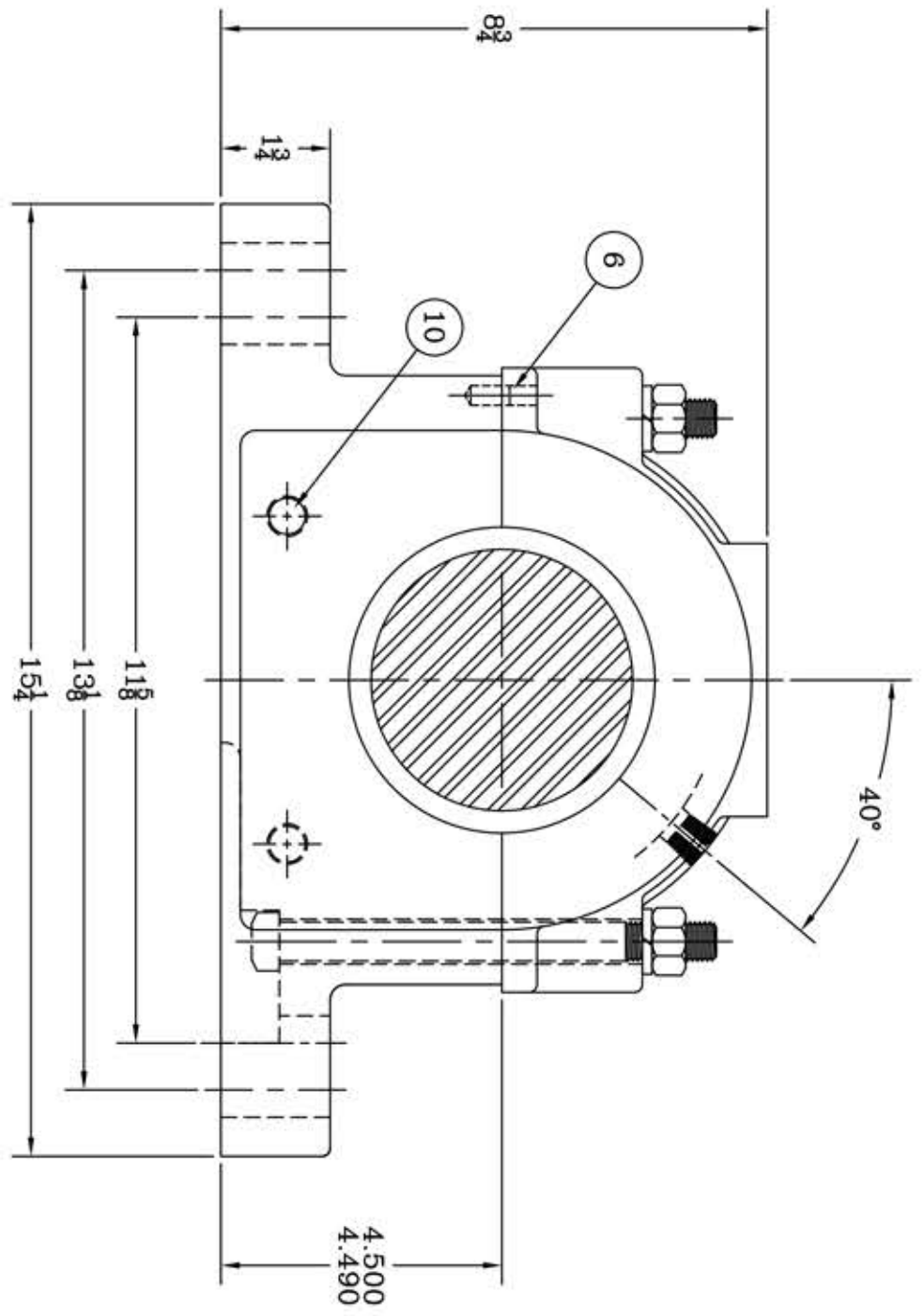
This drawing is the sole property of Miether Bearing Products and contains confidential and proprietary information. It is being provided to you for your use and may not be disclosed to any third party or used for any other purpose without Miether's prior written consent. The [materials] must be returned to the Company upon its demand. Your acceptance of these materials constitutes your acceptance of the foregoing terms.

C-14231



(4) CORED HOLES
FOR 3/8" Ø BASE BOLTS

ITEM	DESCRIPTION	DETAIL	REQUIRED
1	HOUSING SAF 024	C-16208-R	1 1
2	SPHERICAL ROLLER BEARING	23024K/W-33	1 1
3	STABILIZING RING SR-20-17	A-10602	1 0
4	ADAPTER SNW-3024 04-03	24976	1 1
5	TRIPLE SEAL RING LER-113	A-10579	2 2
6	DOWEL	Ø 5/8" x 3/8" LONG	2 2
7	CAP BOLT SQUARE HEAD	3/8-11 NC x 7" LONG	4 4
8	CAP BOLT HEX. NUT	3/8-11 NC	4 4
9	LOCKWASHER	3/8 SPLIT MED.	4 4
10	PIPE PLUG	3/8-18 NPT	3 3



REDRAWN FOR CONFORMITY
RWB 3-25-04

REDRAWN ON COMPUTER
OMI 8-22-01

REVISIONS

SYMBOL	DESCRIPTION
C	CONFORMITY
D	COMPUTER
E	...
F	...
G	...
J	...
K	...

TOLERANCE: UNLESS OTHERWISE SPECIFIED

FRACTIONS ± 1/32" ANGLES ± 0°-30'

DECIMALS ± .005" WELD ± 1/16"

CASTING ± 1/16"

A.S.I. STANDARD FINISHES

MICRO-INCH VALUE	FINISH
16	C
32	D
63	E
125	F
250	G
500	J
1000	K

AN ALCO INDUSTRIES COMPANY
BEARING PRODUCTS
ODESSA, TX. USA

SAF 23024 K 04-03	ASSEMBLY DRAWING
SCALE HALF	ASSEMBLY NO.
DRAWN AW	DRAWING NO.
DATE 10-15-73	CHK: C-14231