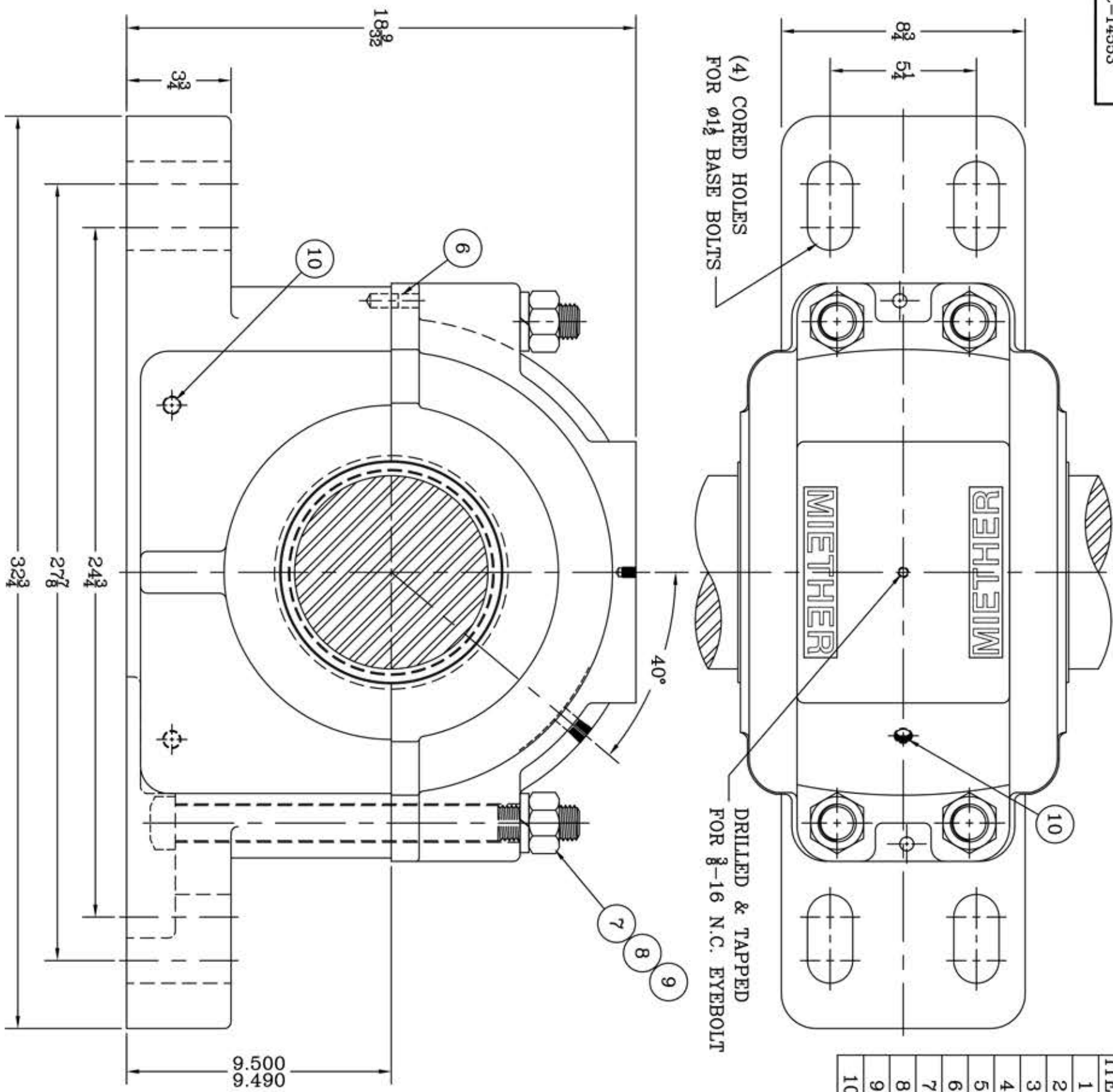
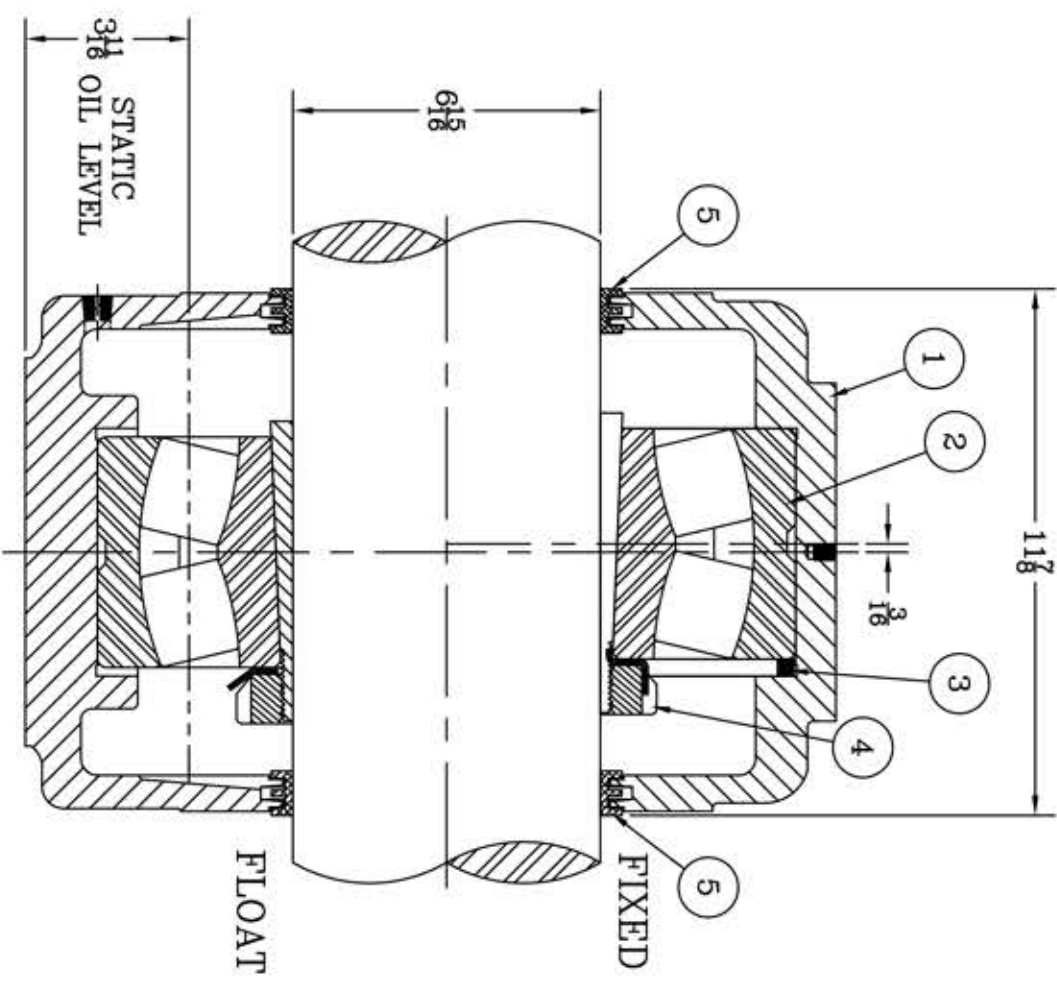


This drawing is the sole property of Miether Bearing Products and contains confidential and proprietary information. It is being provided to you for your use and may not be disclosed to any third party or used for any other purpose without Miether's prior written consent. The [materials] must be returned to the Company upon its demand. Your acceptance of these materials constitutes your acceptance of the foregoing terms.

C-14553



ITEM	DESCRIPTION	DETAIL	REQUIRED
1	HOUSING SAF 638 06-15	C-13193	1 1
2	SPHERICAL ROLLER BEARING	22338K/W-33	1 1
3	STABILIZING RING SR-44-38	A-11612	1 0
4	ADAPTER SNW-138 06-15	24476	1 1
5	TRIPLE SEAL RING LER-155	A-10554	2 2
6	DOWEL	Ø 1/2 x 1" LONG	2 2
7	CAP BOLT SQUARE HEAD	1 1/4-7 NC x 1 3/8 LONG	4 4
8	CAP BOLT HEX. NUT	1 1/4-7 NC	4 4
9	LOCKWASHER	1 1/4 SPLIT MED.	4 4
10	PIPE PLUG	3/8-18 NPT	3 3



REDRAWN FOR CONFORMITY
RWB per KAB
5-14-04

REDRAWN TO SCALE by RWB
5-25-01

REVISIONS

SYMBOL	DESCRIPTION
✓	16
✓	32
✓	63
✓	125
✓	250
✓	500
✓	1000

TOLERANCE: UNLESS OTHERWISE SPECIFIED

FRACTIONS	DECIMALS	CASTING	ANGLES	WELD
± 1/32"	± .005"	± 1/16"	± 0° 30'	± 1/16"

A.I.S.I. STANDARD FINISHES

AN ALCO INDUSTRIES COMPANY
BEARING PRODUCTS
ODESSA, TX. USA

SAF 22638 06-15
ASSEMBLY DRAWING

SCALE 1 = 3
DRAWN CJ
DATE 7/21/71
CHK:

ASSEMBLY NO.
DRAWING NO.
C-14553