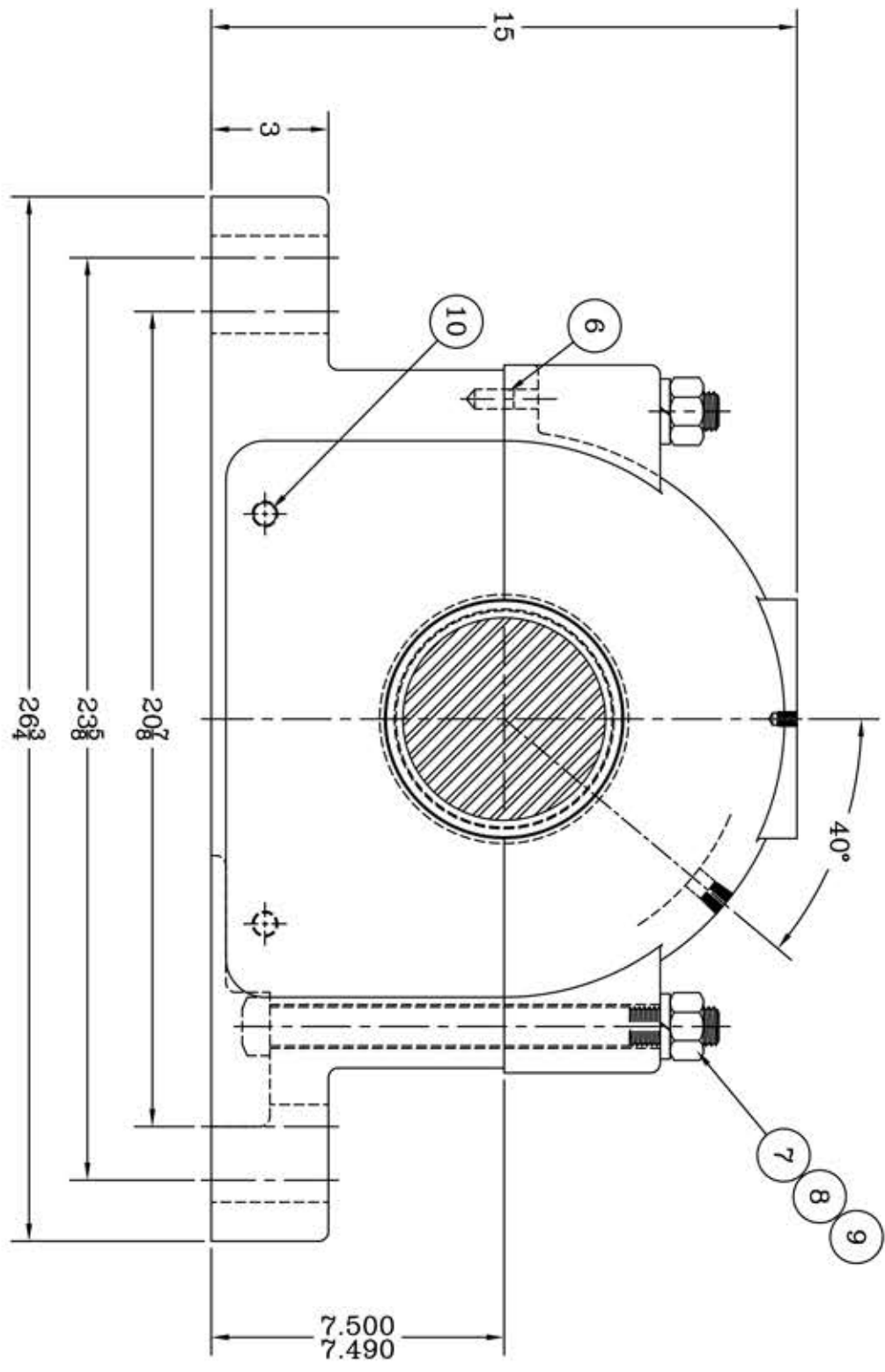
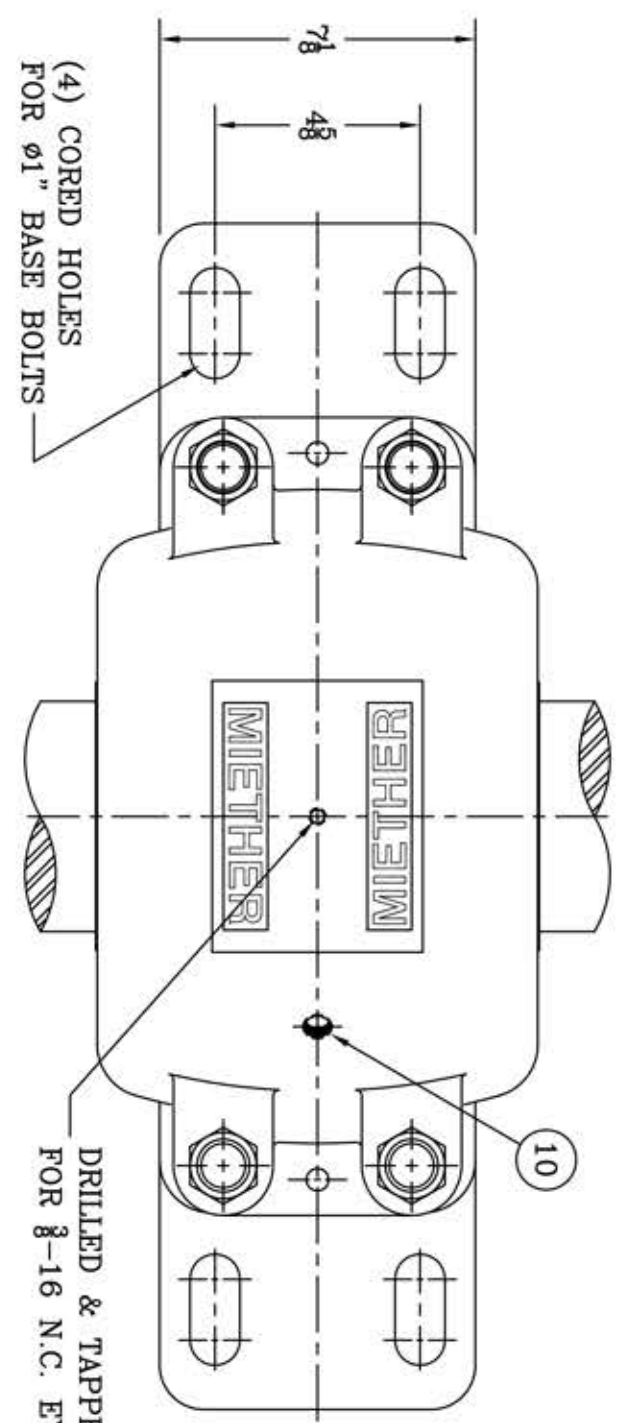
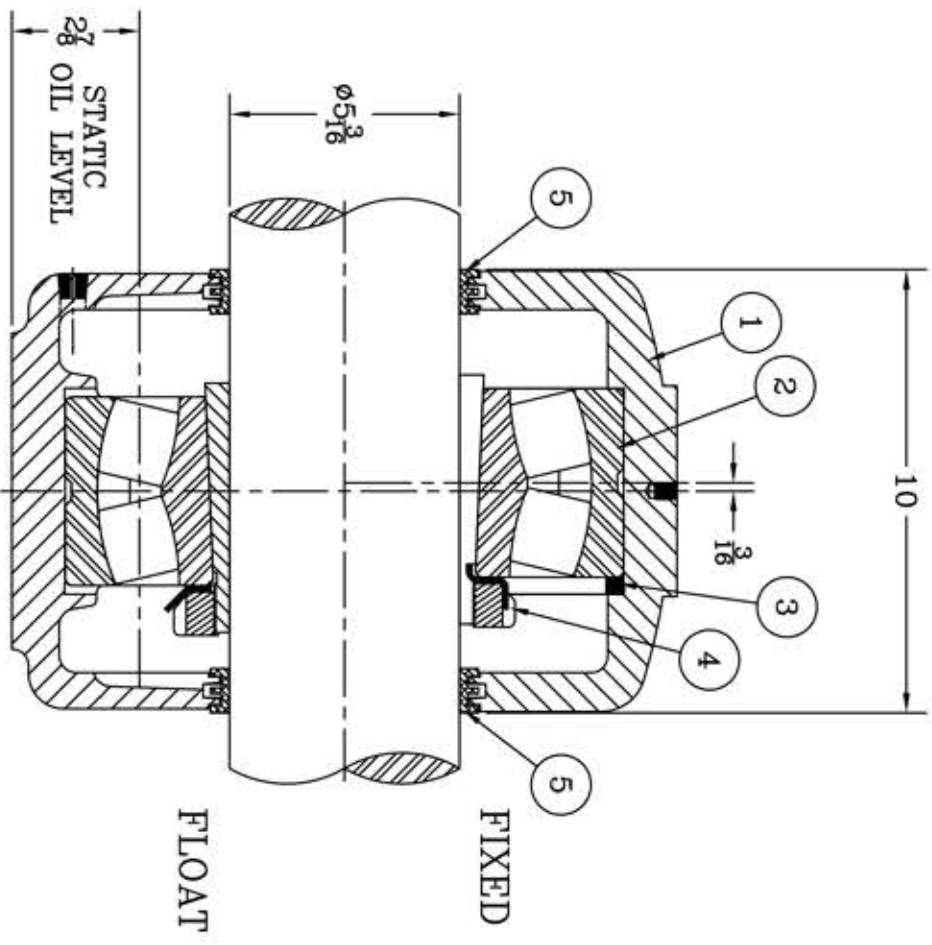


This drawing is the sole property of Miether Bearing Products and contains confidential and proprietary information. It is being provided to you for your use and may not be disclosed to any third party or used for any other purpose without Miether's prior written consent. The [materials] must be returned to the Company upon its demand. Your acceptance of these materials constitutes your acceptance of the foregoing terms.

C-14530



ITEM	DESCRIPTION	DETAIL	REQUIRED
1	HOUSING SAF 630 05-03	C-13189-R	1 1
2	SPHERICAL ROLLER BEARING	22330K/W-33	1 1
3	STABILIZING RING SR-36-30	A-10610	1 0
4	ADAPTER SNW-12-30 05-03	24469	1 1
5	TRIPLE SEAL RING LER-125	A-10581	2 2
6	DOWEL	$\phi \frac{1}{2}$ x 1" LONG	2 2
7	CAP BOLT SQUARE HEAD	1-8 NC x 1 1/2" LONG	4 4
8	CAP BOLT HEX. NUT	1-8 NC	4 4
9	LOCKWASHER	1" SPLIT MED.	4 4
10	PIPE PLUG	$\frac{3}{8}$ -18 NPT	3 3



REDRAWN FOR CONFORMITY RWB per KAB 5-11-04

REDRAWN ON COMPUTER by OMI 9-4-00

REVISIONS

SYMBOL	DESCRIPTION
C	✓
D	✓
E	✓
F	✓
G	✓
J	✓
K	✓

TOLERANCE: UNLESS OTHERWISE SPECIFIED

FRACTIONS  $\pm 1/32$ " ANGLES  $\pm 0^\circ 30'$

DECIMALS  $\pm .005$  WELD  $\pm 1/16$ "

CASTING  $\pm 1/16$ "

A.I.S.I. STANDARD FINISHES

MICRO-INCH VALUE: 16 32 63 125 250 500 1000

AN ALCO INDUSTRIES COMPANY

BEARING PRODUCTS

ODDESSA, TX. USA

SAF 22630 05-03	ASSEMBLY DRAWING
SCALE 1 = 3	ASSEMBLY NO.
DRAWN BAB	DRAWING NO.
DATE 4/4/88	CHEK:
CHK:	C-14530