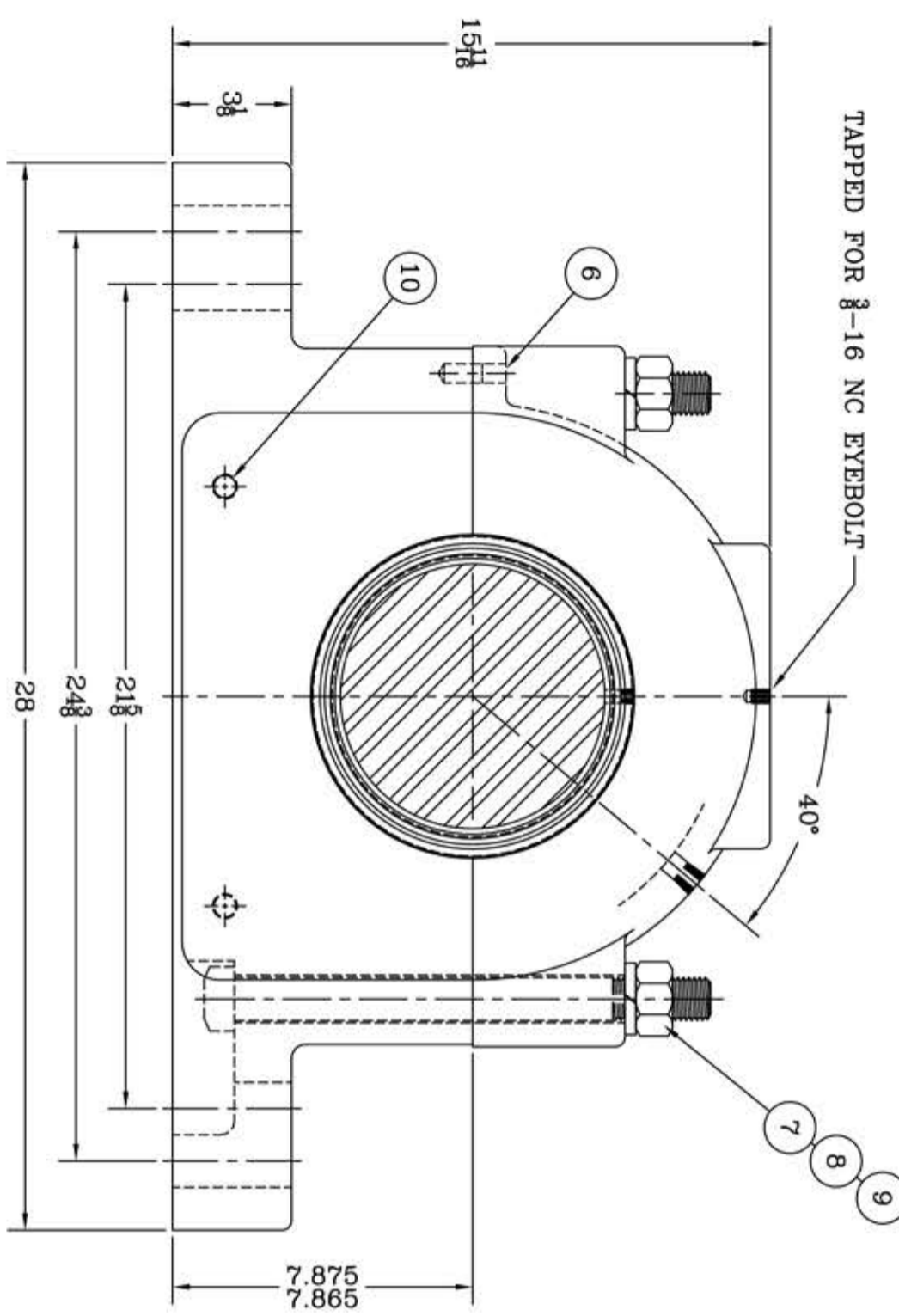
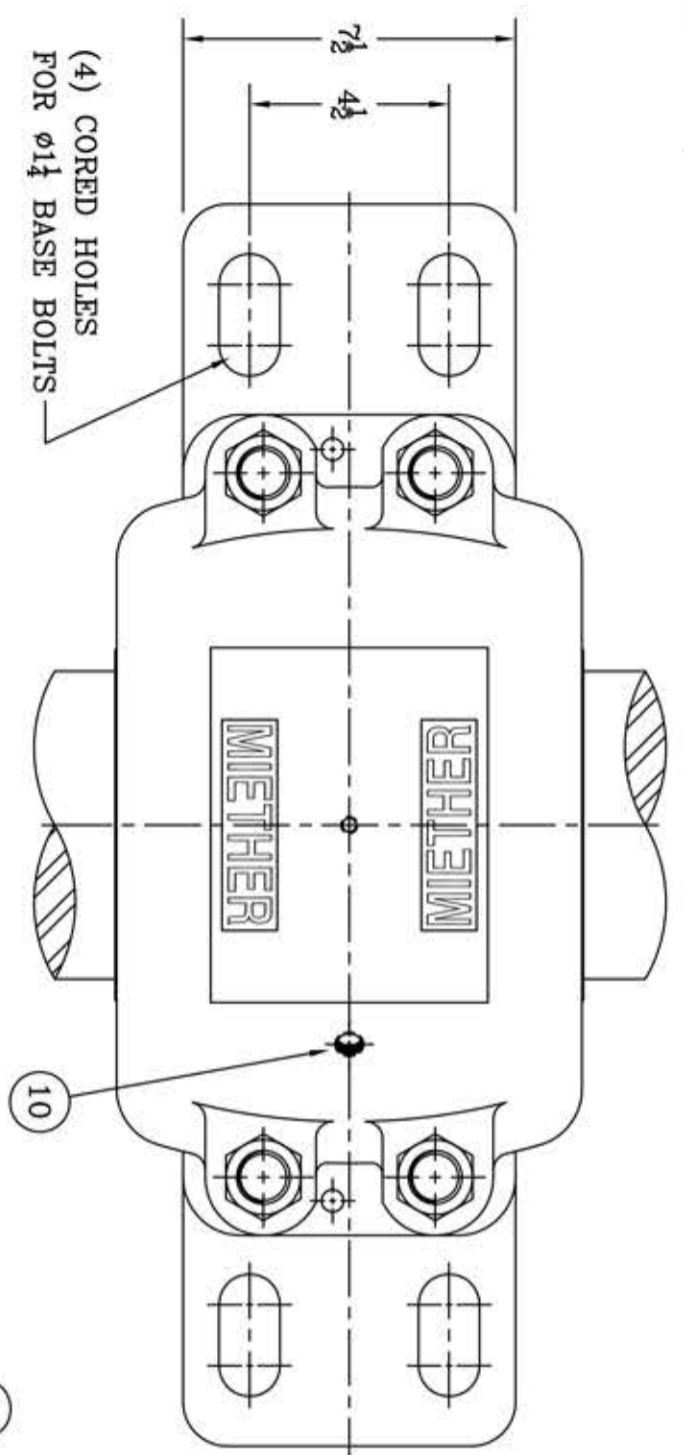
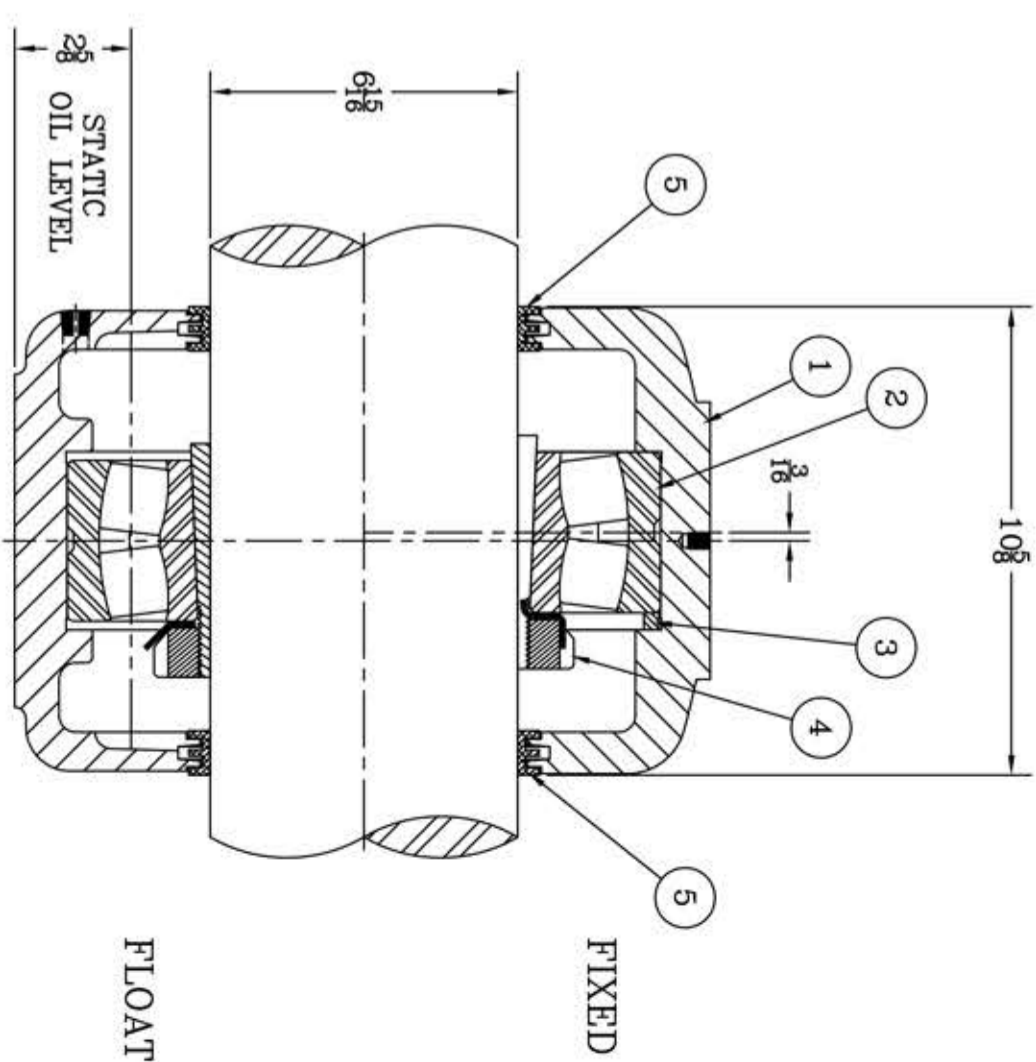


This drawing is the sole property of Miether Bearing Products and contains confidential and proprietary information. It is being provided to you for your use and may not be disclosed to any third party or used for any other purpose without Miether's prior written consent. The [materials] must be returned to the Company upon its demand. Your acceptance of these materials constitutes your acceptance of the foregoing terms.

C-14096



| ITEM | DESCRIPTION | DETAIL | REQUIRED |
|------|---------------------------|---|----------|
| 1 | HOUSING SAF 538 | C-13163-R | 1 1 |
| 2 | SPHERICAL ROLLER BEARING | 22238K/W-33 | 1 1 |
| 3 | STABILIZING RING SR-38-32 | A-10555 | 1 0 |
| 4 | ADAPTER SNW 38 06-15 | B-17651 | 1 1 |
| 5 | TRIPLE SEAL RING LER 155 | A-10554 | 2 2 |
| 6 | DOWEL | $\phi 2$ x 1" LONG | 2 2 |
| 7 | CAP BOLT SQUARE HEAD | $1\frac{1}{8}$ -7 NC x $12\frac{1}{2}$ LONG | 4 4 |
| 8 | CAP BOLT HEX. NUT | $1\frac{1}{8}$ -7 NC | 4 4 |
| 9 | LOCKWASHER | $1\frac{1}{8}$ SPLIT MED. | 4 4 |
| 10 | PIPE PLUG | $\frac{3}{8}$ -18 NPT | 3 3 |



REDRAWN FOR CONFORMITY
RWB per KAB
1-8-04

REDRAWN FOR CONFORMITY
RWB per JLL
5-30-02

REDRAWN ON COMPUTER TO SCALE by OMI
6-17-97

REVISIONS

| SYMBOL | DESCRIPTION |
|--------|-------------|
| C | 16 |
| D | 32 |
| E | 63 |
| F | 125 |
| G | 250 |
| J | 500 |
| K | 1000 |

TOLERANCE: UNLESS OTHERWISE SPECIFIED

FRACTIONS $\pm 1/32$ " ANGLES $\pm 0^\circ 30'$

DECIMALS $\pm .005$ WELD $\pm 1/16$ "

CASTING $\pm 1/16$ "

A.I.S.I. STANDARD FINISHES

AN ALCO INDUSTRIES COMPANY
BEARING PRODUCTS
ODESSA, TX. USA

| | |
|------------------|--------------|
| SAF 22538 06-15 | ASSEMBLY NO. |
| ASSEMBLY DRAWING | |
| SCALE 1 = 3 | ASSEMBLY NO. |
| DRAWN BAB | |
| DATE 2-17-88 | DRAWING NO. |
| CHK: | C-14096 |