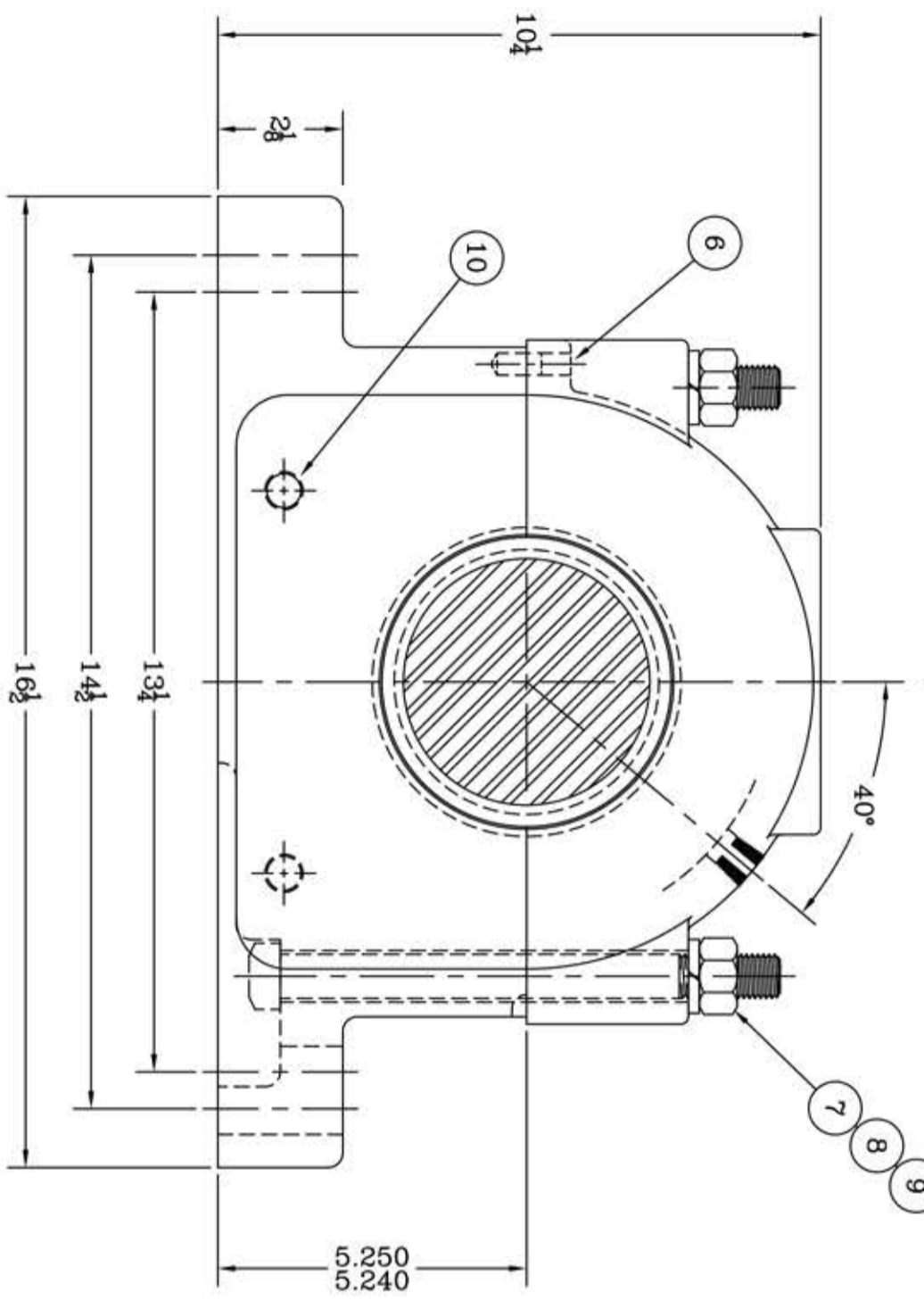
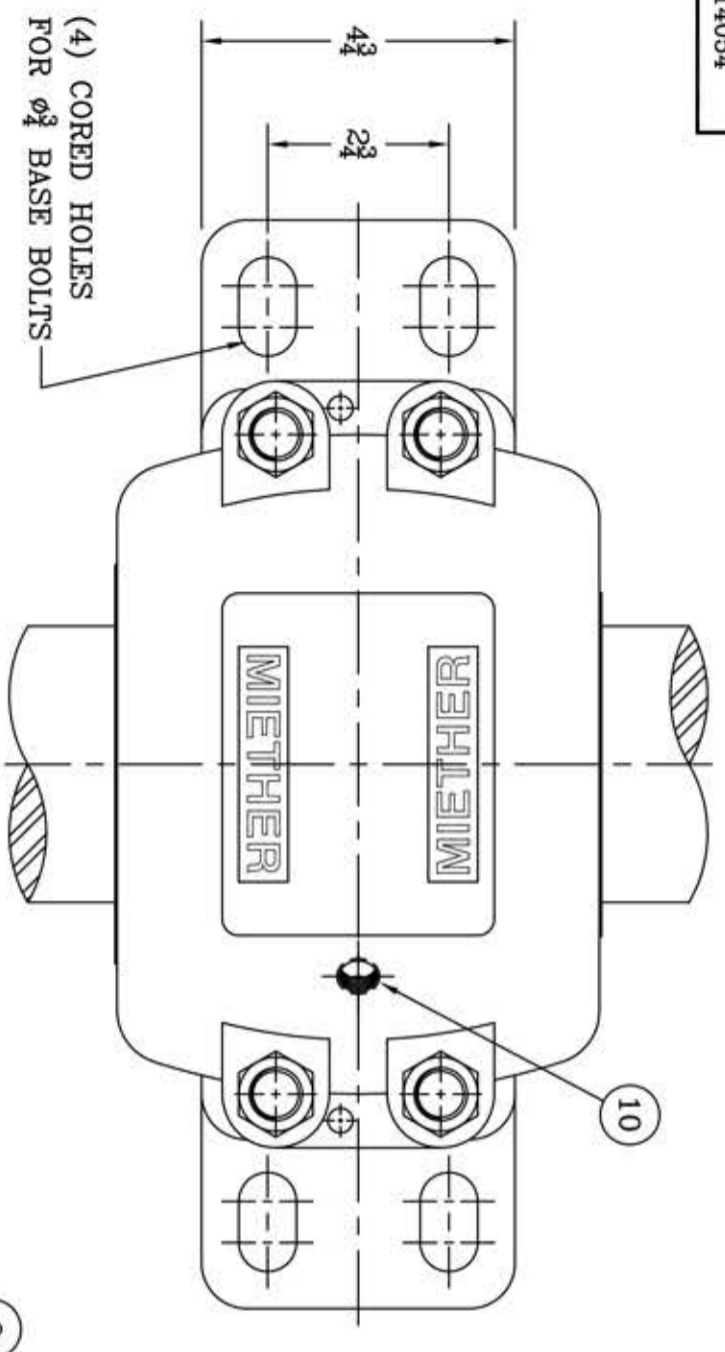
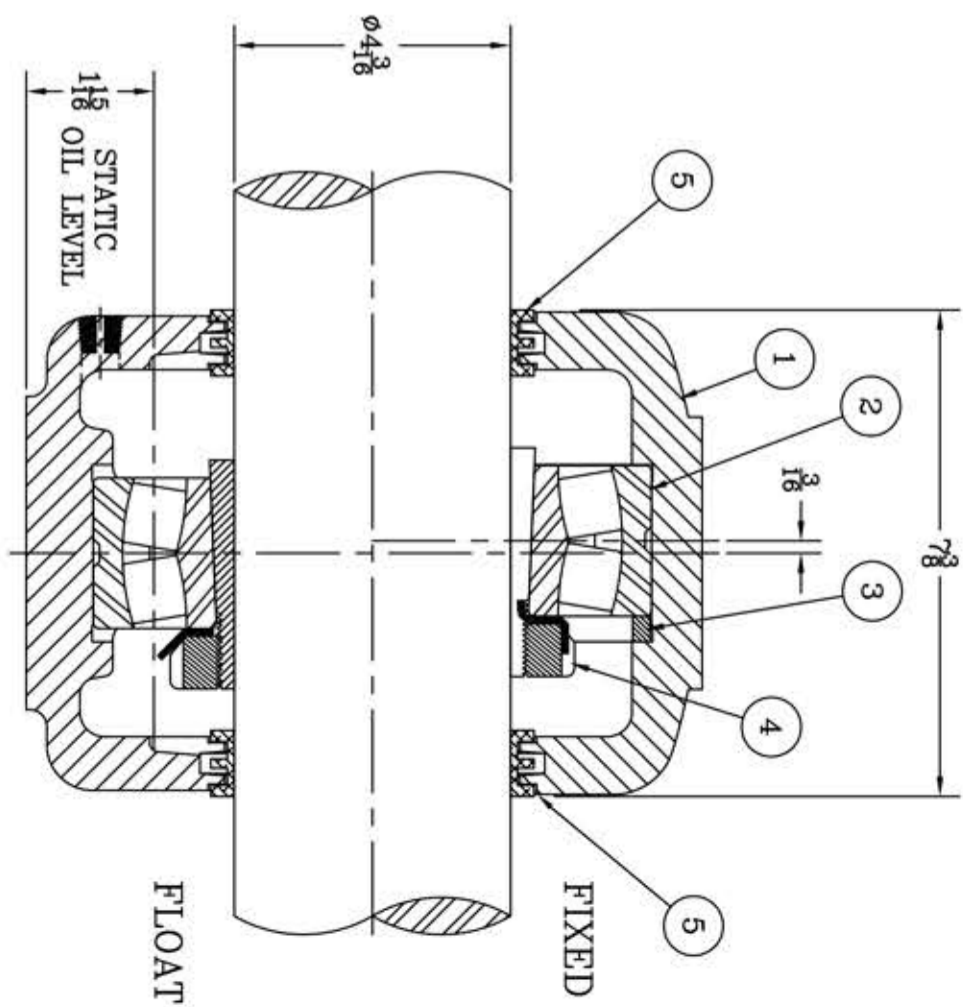


This drawing is the sole property of Miether Bearing Products and contains confidential and proprietary information. It is being provided to you for your use and may not be disclosed to any third party or used for any other purpose without Miether's prior written consent. The [materials] must be returned to the Company upon its demand. Your acceptance of these materials constitutes your acceptance of the foregoing terms.

C-14054



ITEM	DESCRIPTION	DETAIL	REQUIRED
1	HOUSING SAF 524 04-03	C-13156-R	1 1
2	SPHERICAL ROLLER BEARING	22224K/W-33	1 1
3	STABILIZING RING SR-24-20	A-10604	1 0
4	ADAPTER SNW-24 04-03	24426	1 1
5	TRIPLE SEAL RING LER-113	A-10579	2 2
6	DOWEL	Ø8 x 8 1/2 LONG	2 2
7	CAP BOLT SQUARE HEAD	3/4-10 NC x 8 1/2 LONG	4 4
8	CAP BOLT HEX. NUT	3/4-10 NC	4 4
9	LOCKWASHER	3/4 SPLIT MED.	4 4
10	PIPE PLUG	3/8-18 NPT	3 3



REDRAWN FOR CONFORMITY
RWB per KAB
2-2-04

REDRAWN ON COMPUTER by
F.M. 2-26-98

REVISIONS

SYMBOL	DESCRIPTION	DATE
C	REVISION	16
D	REVISION	32
E	REVISION	63
F	REVISION	125
G	REVISION	250
J	REVISION	500
K	REVISION	1000

TOLERANCE: UNLESS OTHERWISE SPECIFIED
FRACTIONS $\pm 1/32$ " ANGLES $\pm 0^\circ 30'$
DECIMALS $\pm .005$ " WELD $\pm 1/16$ "
CASTING $\pm 1/16$ "
A.I.S.I. STANDARD FINISHES

AN ALCO INDUSTRIES COMPANY
BEARING PRODUCTS
ODESSA, TX. USA

SAF 22524 04-03
ASSEMBLY DRAWING

SCALE HALF
DRAWN GM
DATE 11/10/70
CHK:

ASSEMBLY NO.
DRAWING NO.
C-14054