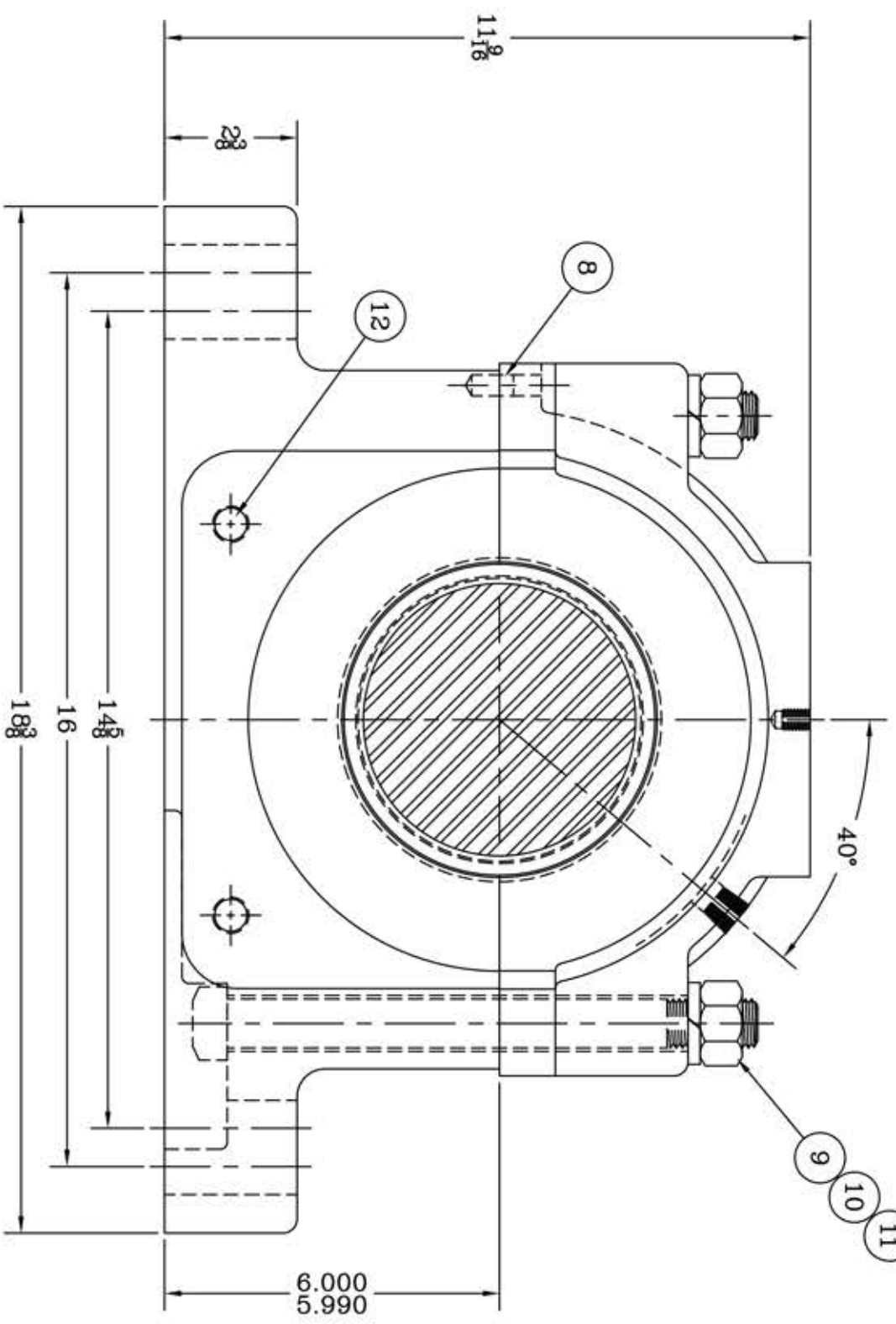
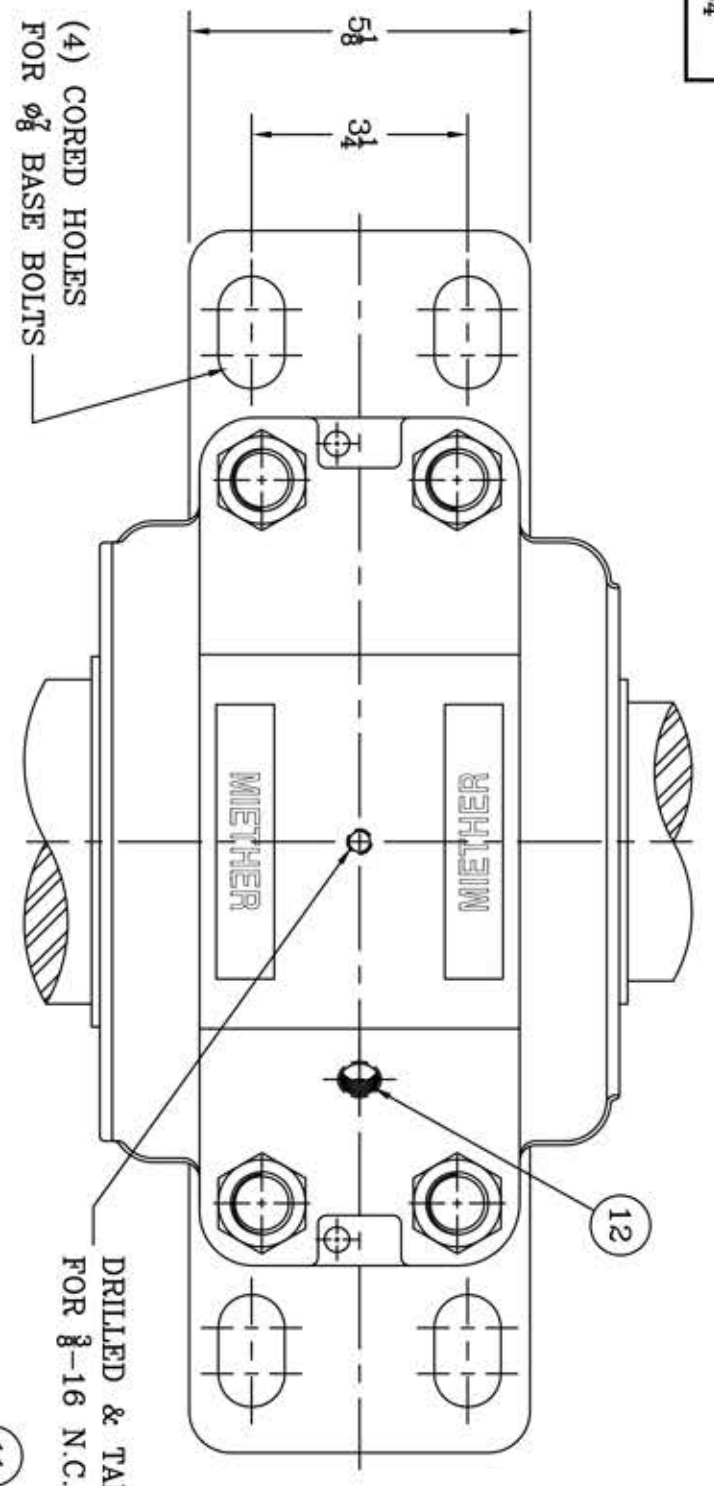
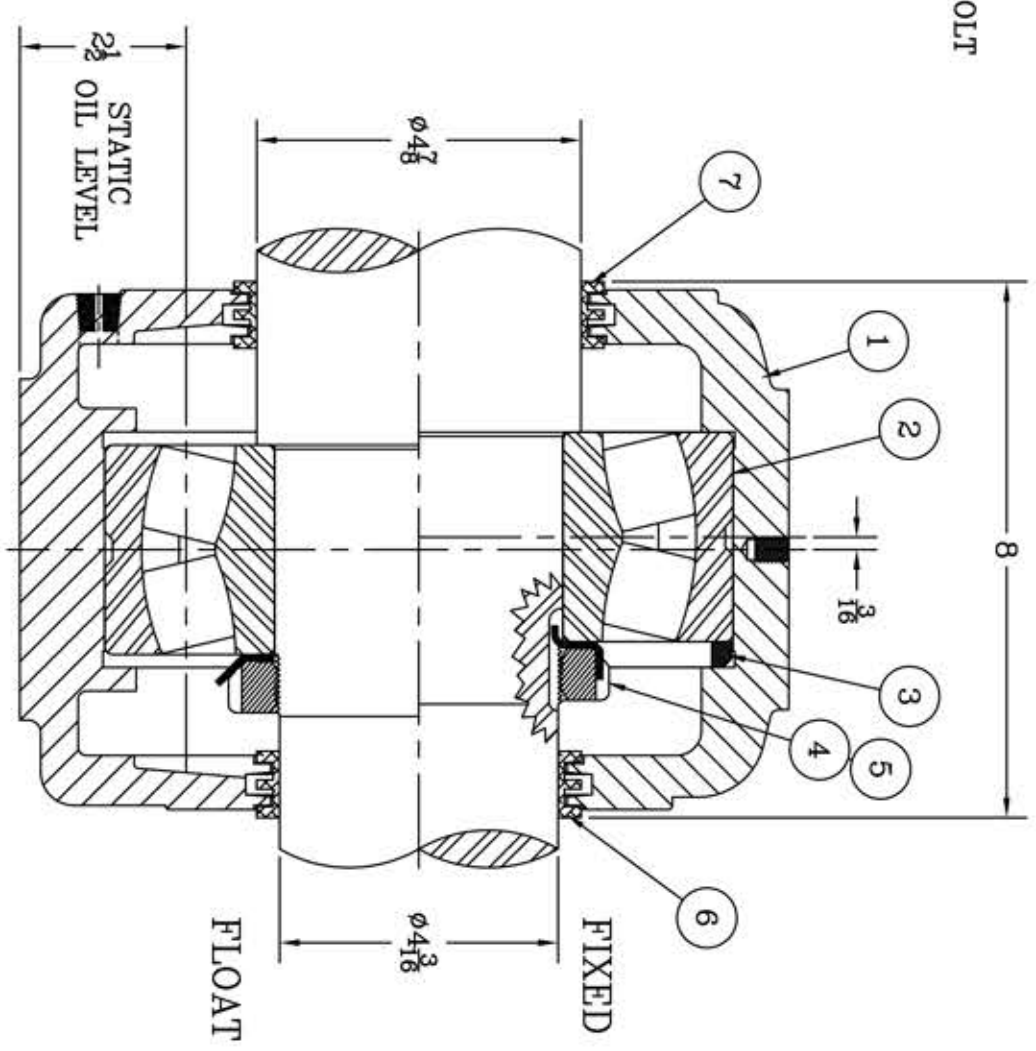


This drawing is the sole property of Miether Bearing Products and contains confidential and proprietary information. It is being provided to you for your use and may not be disclosed to any third party or used for any other purpose without Miether's prior written consent. The [materials] must be returned to the Company upon its demand. Your acceptance of these materials constitutes your acceptance of the foregoing terms.

C-14394



ITEM	DESCRIPTION	DETAIL	REQUIRED
1	HOUSING SAF 322	C-13170	1 1
2	SPHERICAL ROLLER BEARING	22322/W-33	1 1
3	STABILIZING RING SR-0-22	A-24338	1 0
4	LOCKNUT AN-22	B-10415	1 1
5	LOCKWASHER W-22	A-18924	1 1
6	TRIPLE SEAL RING LER-113	A-10597	1 1
7	TRIPLE SEAL RING LER-121	A-10594	1 1
8	DOWEL	$\phi 8 \times \frac{3}{4}$ LONG	2 2
9	CAP BOLT SQUARE HEAD	$\frac{7}{8}$ -9 NC x $9\frac{1}{2}$ LONG	4 4
10	CAP BOLT HEX NUT	$\frac{7}{8}$ -9 NC	4 4
11	LOCKWASHER	$\frac{7}{8}$ SPLIT MED.	4 4
12	PIPE PLUG	$\frac{3}{8}$ -18 NPT	3 3



REDRAWN FOR CONFORMITY
RWB per KAB
5-5-04

REDRAWN ON COMPUTER by
OMI 3-14-01

REVISIONS

SYMBOL	DESCRIPTION
✓	16
∇	32
∇	63
∇	125
∇	250
∇	500
∇	1000

TOLEANCE: UNLESS OTHERWISE SPECIFIED

FRACTIONS $\pm 1/32$ " ANGLES $\pm 0^\circ 30'$

DECIMALS $\pm .005$ WELD $\pm 1/16$ "

CASTING $\pm 1/16$ "

A.I.S.I. STANDARD FINISHES

SAF 22322 04-14 x 04-03

ASSEMBLY DRAWING

SCALE HALF

DRAWN CJ

DATE 10/13/73

CHK:

AN ALCO INDUSTRIES COMPANY
BEARING PRODUCTS
ODESSA, TX. USA

ASSEMBLY NO.
DRAWING NO.
C-14394