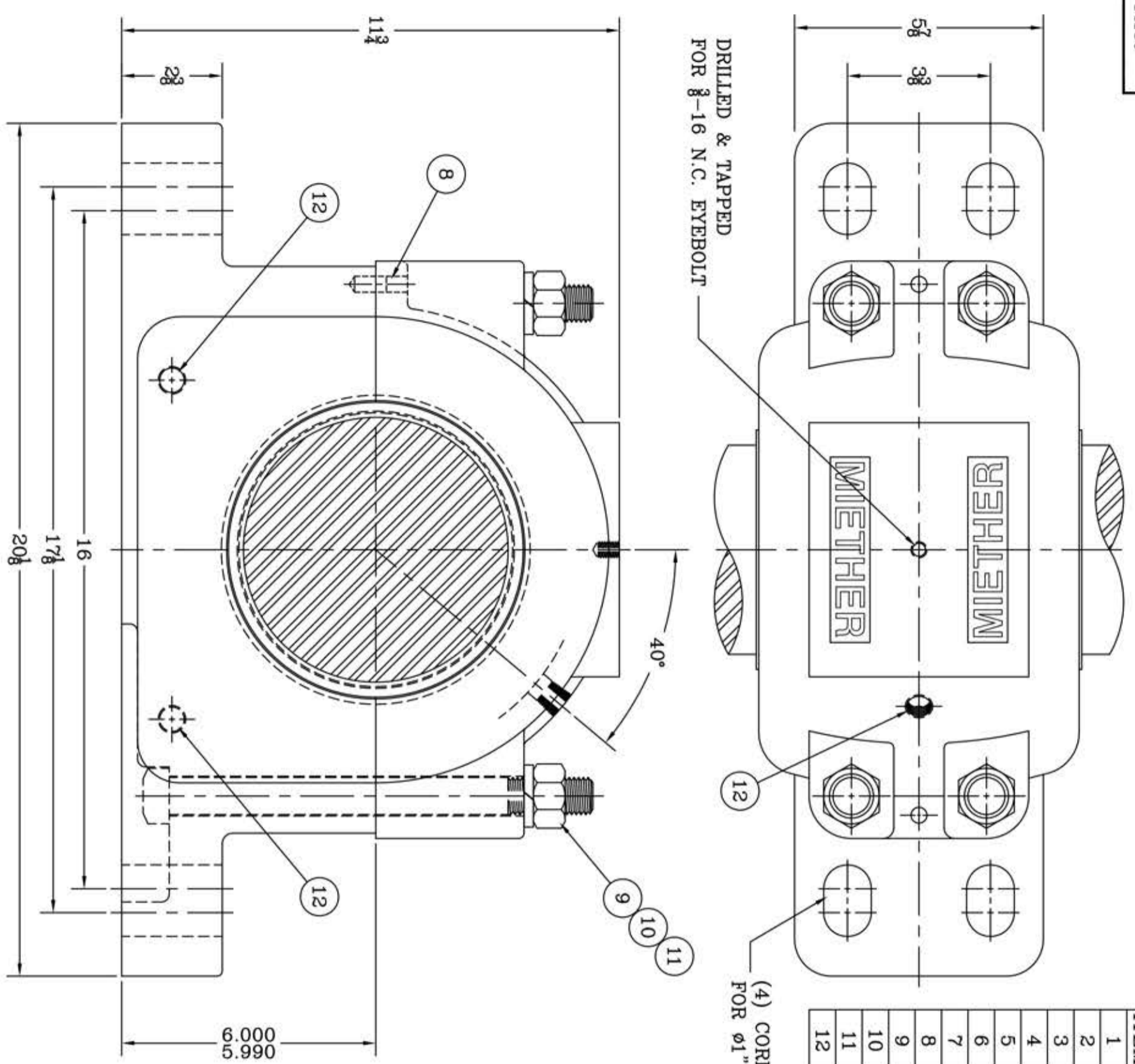
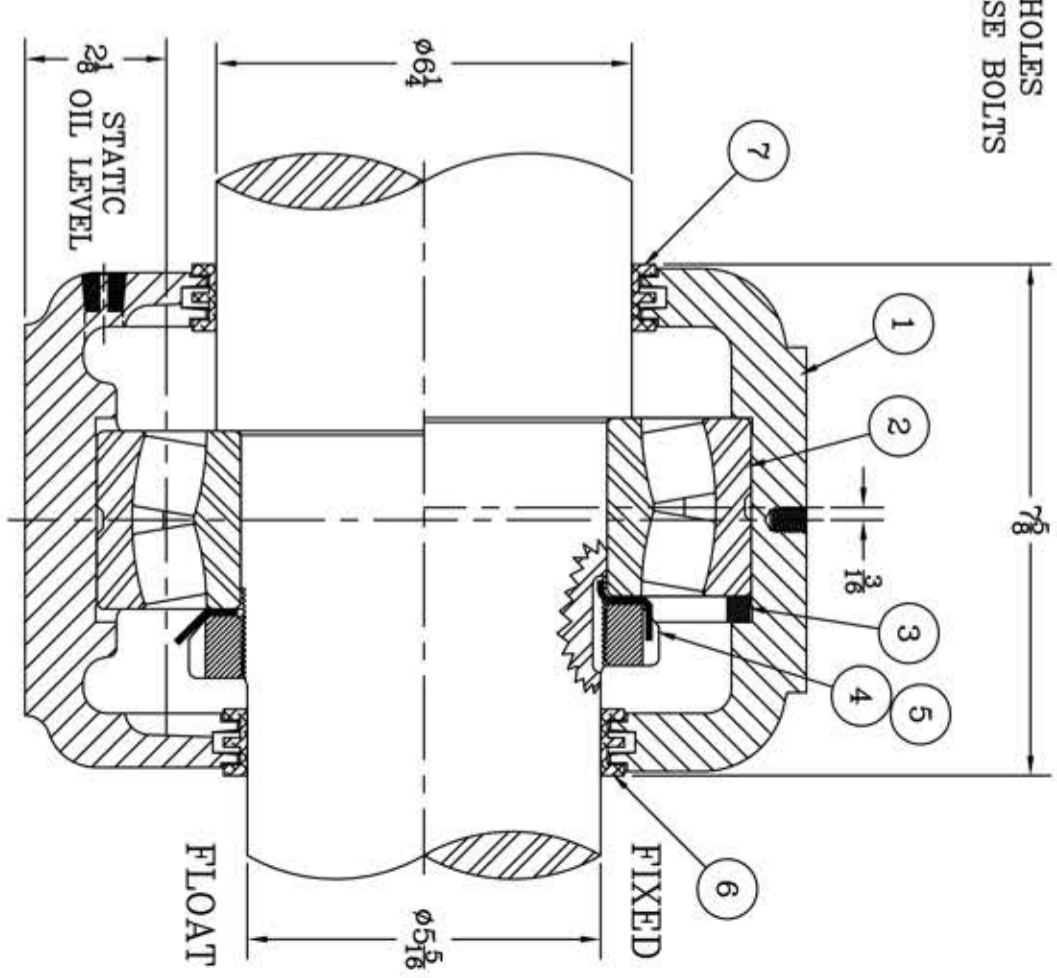


This drawing is the sole property of Miether Bearing Products and contains confidential and proprietary information. It is being provided to you for your use and may not be disclosed to any third party or used for any other purpose without Miether's prior written consent. The [materials] must be returned to the Company upon its demand. Your acceptance of these materials constitutes your acceptance of the foregoing terms.

C-14180



ITEM	DESCRIPTION	DETAIL	REQUIRED
1	HOUSING SAF 228	C-13139-R	1 1
2	SPHERICAL ROLLER BEARING	22228/W-33	1 1
3	STABILIZING RING SR-28-0	A-10606	1 0
4	LOCKNUT AN-28	B-10418	1 1
5	LOCKWASHER W-28	00248	1 1
6	TRIPLE SEAL RING LER-127	A-10626	1 1
7	TRIPLE SEAL RING LER-144	A-10627	1 1
8	DOWEL	Ø 3/8 x 3/4 LONG	2 2
9	CAP BOLT SQUARE HEAD	7/8-9 NC x 10" LONG	4 4
10	CAP BOLT HEX. NUT	7/8-9 NC	4 4
11	LOCKWASHER	3/8 SPLIT MED.	4 4
12	PIPE PLUG	3/8-18 NPT	3 3



REDRAWN FOR CONFORMITY
RWB per KAB
2-11-04

REVISIONS

SYMBOL	VALUE	DESCRIPTION
✓	16	REVISIONS
∇	32	
∇	63	
∇	125	
∇	250	
∇	500	
∇	1000	

TOLERANCE: UNLESS OTHERWISE SPECIFIED
FRACTIONS $\pm 1/32"$
DECIMALS $\pm .005$
CASTING $\pm 1/16"$
WELD $\pm 1/16"$
ANGLES $\pm 0^\circ 30'$
A.I.S.I. STANDARD FINISHES

AN ALCO INDUSTRIES COMPANY
BEARING PRODUCTS
ODESSA, TX. USA

SAF 22228 06-04 x 05-05
ASSEMBLY DRAWING
SCALE HALF
DRAWN BAB
DATE 1/15/88
CHK:
ASSEMBLY NO.
DRAWING NO.
C-14180