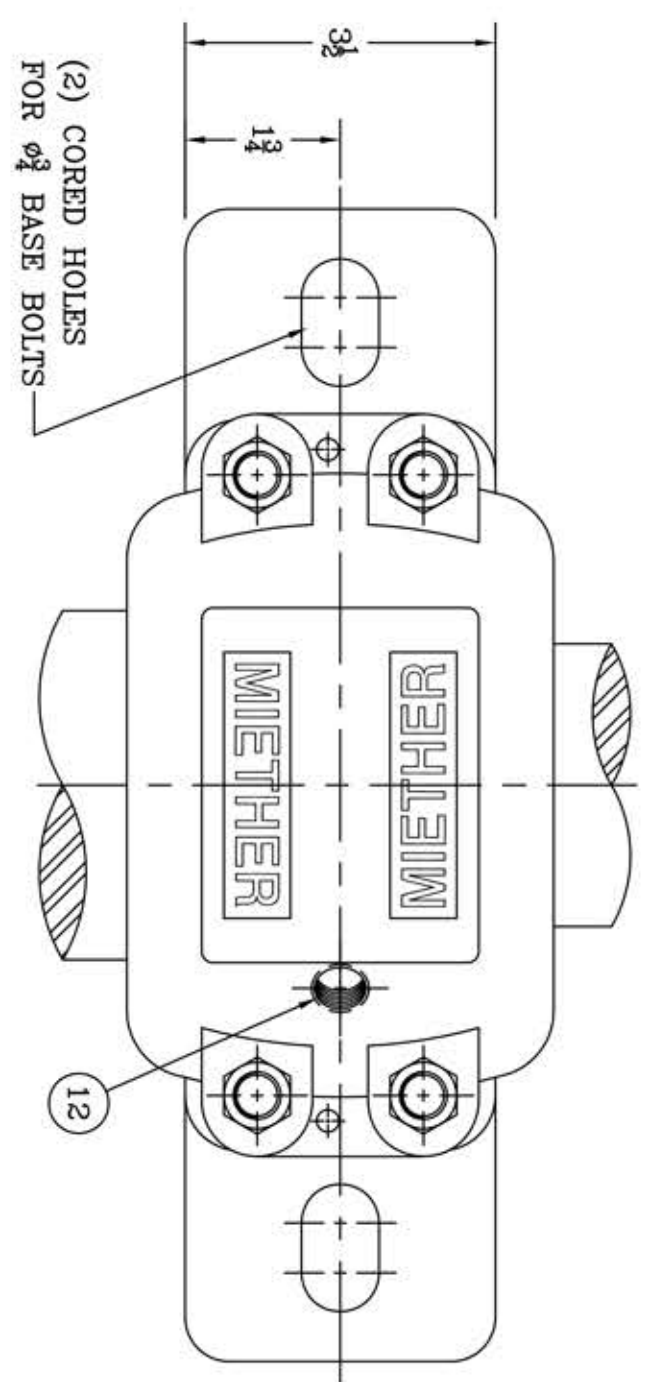
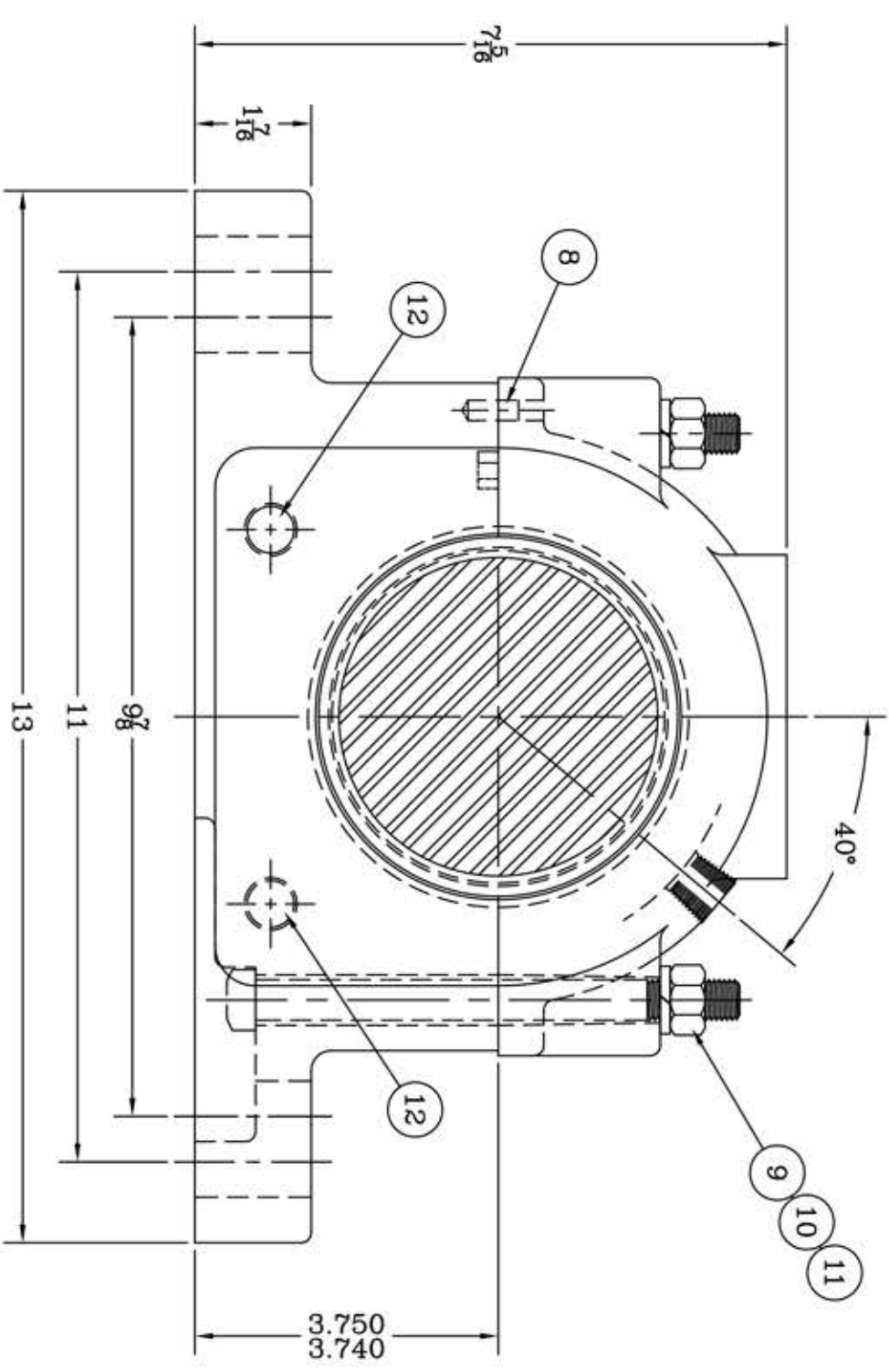


This drawing is the sole property of Miether Bearing Products and contains confidential and proprietary information. It is being provided to you for your use and may not be disclosed to any third party or used for any other purpose without Miether's prior written consent. The [materials] must be returned to the Company upon its demand. Your acceptance of these materials constitutes your acceptance of the foregoing terms.

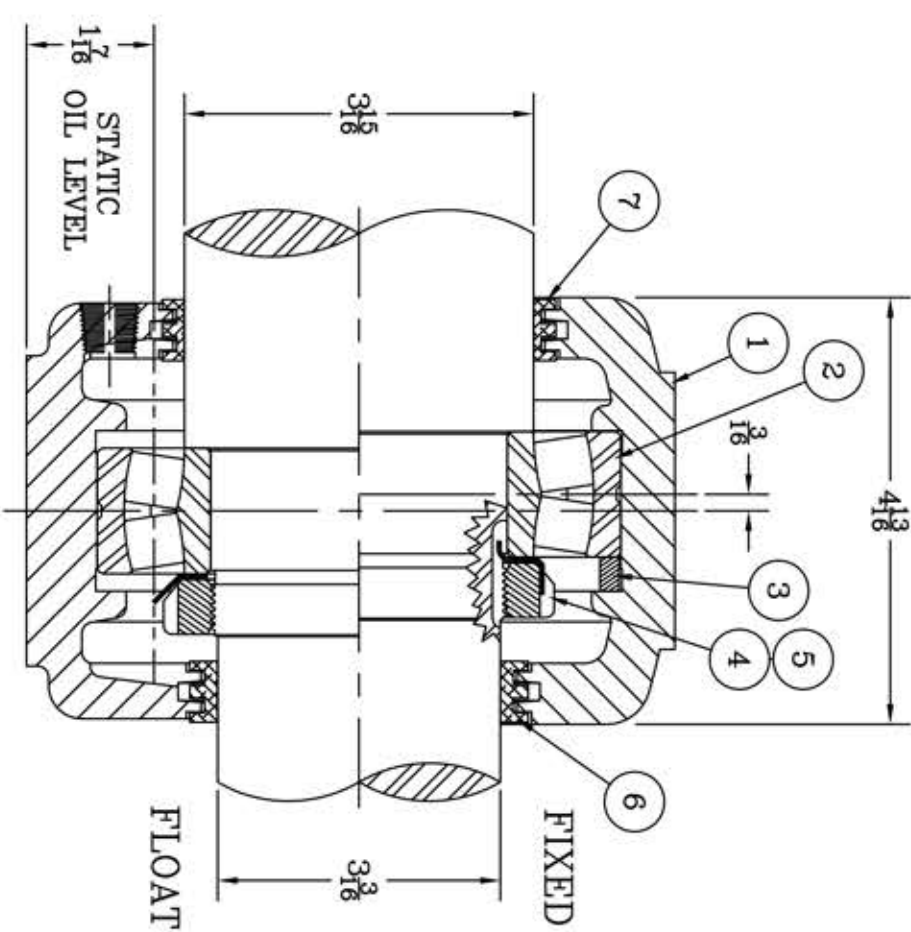
C-14132



(2) CORED HOLES FOR $\phi 3/8$ BASE BOLTS



| ITEM | DESCRIPTION | DETAIL | REQUIRED |
|------|--|------------|----------|
| 1 | HOUSING SAF 217 | C-13130-R | 1 1 |
| 2 | SPHERICAL ROLLER BEARING | 22217/W-33 | 1 1 |
| 3 | STABILIZING RING SR-17-14 | A-10600 | 1 0 |
| 4 | LOCKNUT AN-17 | B-11939 | 1 1 |
| 5 | LOCKWASHER W-17 | A-18925 | 1 1 |
| 6 | TRIPLE SEAL RING LER 63 | A-10991 | 1 1 |
| 7 | TRIPLE SEAL RING LER 89 | A-10990 | 1 1 |
| 8 | DOWEL $\phi 1/2 \times 3/8$ LONG | | 2 2 |
| 9 | CAP BOLT SQUARE HEAD $1/2-13$ NC x 6" LONG | | 4 4 |
| 10 | CAP BOLT HEX. NUT $1/2-13$ NC | | 4 4 |
| 11 | LOCKWASHER $1/2$ SPLIT MED. | | 4 4 |
| 12 | PIPE PLUG $3/8-18$ NPT | | 3 3 |



REDRAWN FOR CONFORMITY RWB 1-12-04

REVISIONS

| SYMBOL | DESCRIPTION |
|--------|-------------|
| C | CASTING |
| D | WELD |
| E | FINISHES |
| F | ANGLES |
| G | DECIMALS |
| J | FRACTIONS |
| K | TOLERANCE |

AN ALCO INDUSTRIES COMPANY
BEARING PRODUCTS
ODESSA, TX. USA

| | |
|-------------------------|---------------------|
| SAF 22217 03-15 x 03-03 | ASSEMBLY NO. |
| ASSEMBLY DRAWING | DRAWN BAB |
| SCALE 1 = 1.5 | DATE 1/19/88 |
| CHK: | DRAWING NO. C-14132 |