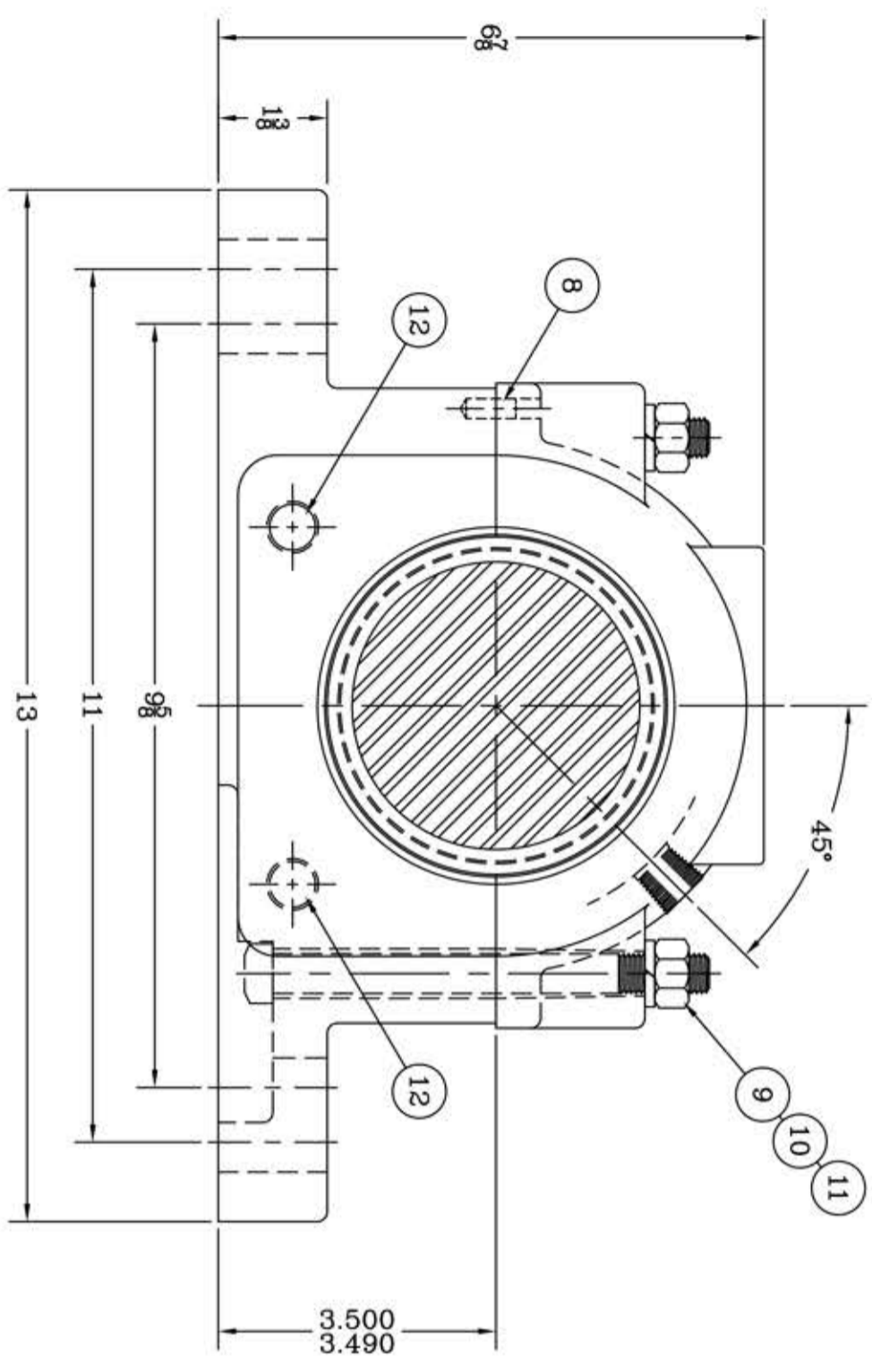
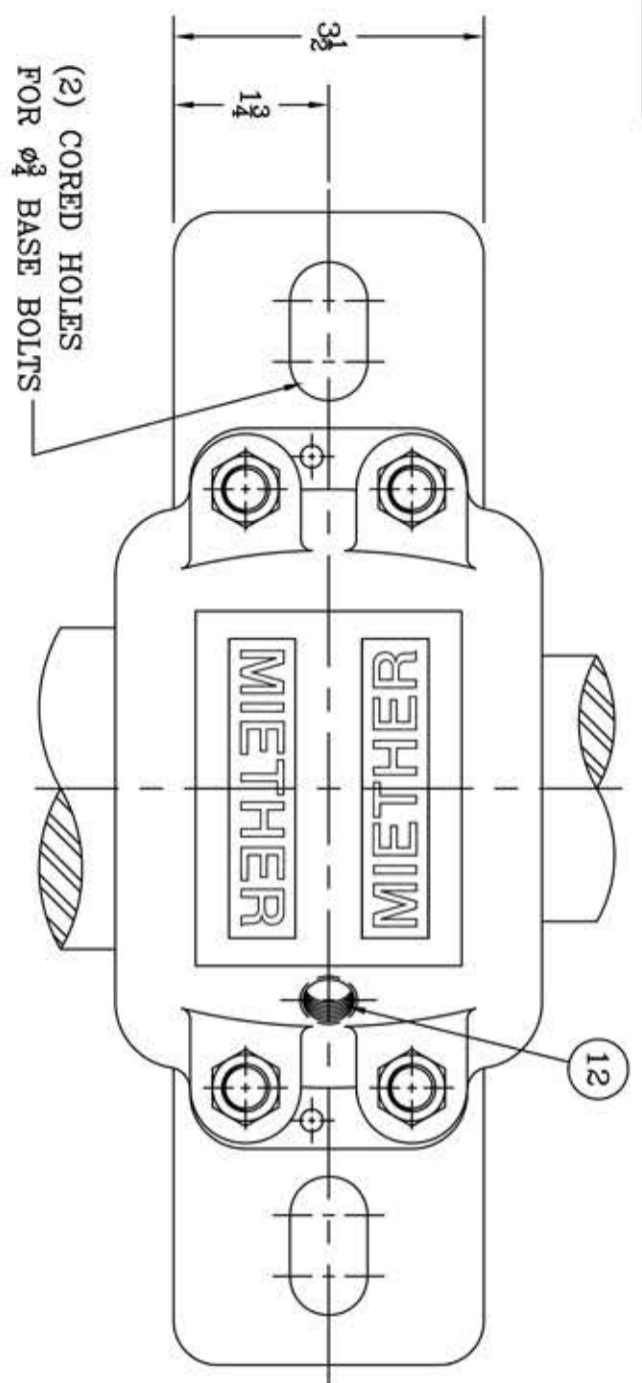
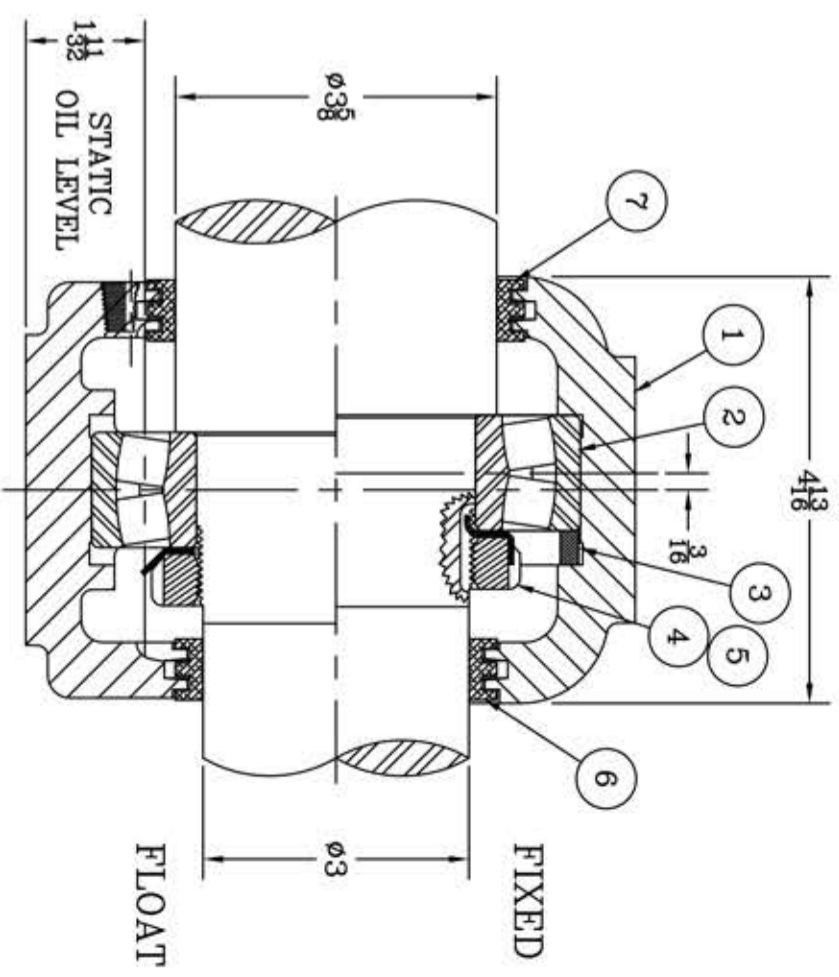


This drawing is the sole property of Miether Bearing Products and contains confidential and proprietary information. It is being provided to you for your use and may not be disclosed to any third party or used for any other purpose without Miether's prior written consent. The [materials] must be returned to the Company upon its demand. Your acceptance of these materials constitutes your acceptance of the foregoing terms.

C-14122



ITEM	DESCRIPTION	DETAIL	REQUIRED
1	HOUSING SAF 216	C-13128-R	1 1
2	SPHERICAL ROLLER BEARING	22216/W33	1 1
3	STABILIZING RING SR-16-13	A-10599	1 0
4	LOCKNUT AN-16	B-11938	1 1
5	LOCKWASHER W-16	00241	1 1
6	TRIPLE SEAL RING LER-54	A-11061	1 1
7	TRIPLE SEAL RING LER-82	A-11075	1 1
8	DOWEL	$\phi 1/4$ x $3/8$ LONG	2 2
9	CAP BOLT SQUARE HEAD	$1/2$ -13 NC x $5 1/2$ LONG	4 4
10	CAP BOLT HEX. NUT	$1/2$ -13 NC	4 4
11	LOCKWASHER	$1/2$ SPLIT MED.	4 4
12	PIPE PLUG	$3/8$ -18 NPT	3 3



REDRAWN FOR CONFORMITY RWB per KAB 12-30-03
 REDRAWN TO SCALE OMI 7-9-01

REVISIONS

SYMBOL	VALUE	DESCRIPTION
C	16	REVISIONS
D	32	
E	63	
F	125	
G	250	
J	500	
K	1000	

TOLERANCE: UNLESS OTHERWISE SPECIFIED
 FRACTIONS $\pm 1/32$ "
 DECIMALS $\pm .005$
 CASTING $\pm 1/16$ "
 ANGLES $\pm 0^\circ 30'$
 WELD $\pm 1/16$ "
 A.I.S.I. STANDARD FINISHES

AN ALCO INDUSTRIES COMPANY
 BEARING PRODUCTS
 ODESSA, TX. USA

SAF 22216 03-10 x 03-00
 ASSEMBLY DRAWING
 SCALE 1 = 1.5
 DRAWN BAB
 DATE 1/18/88
 ASSEMBLY NO.
 DRAWING NO. C-14122
 CHK: