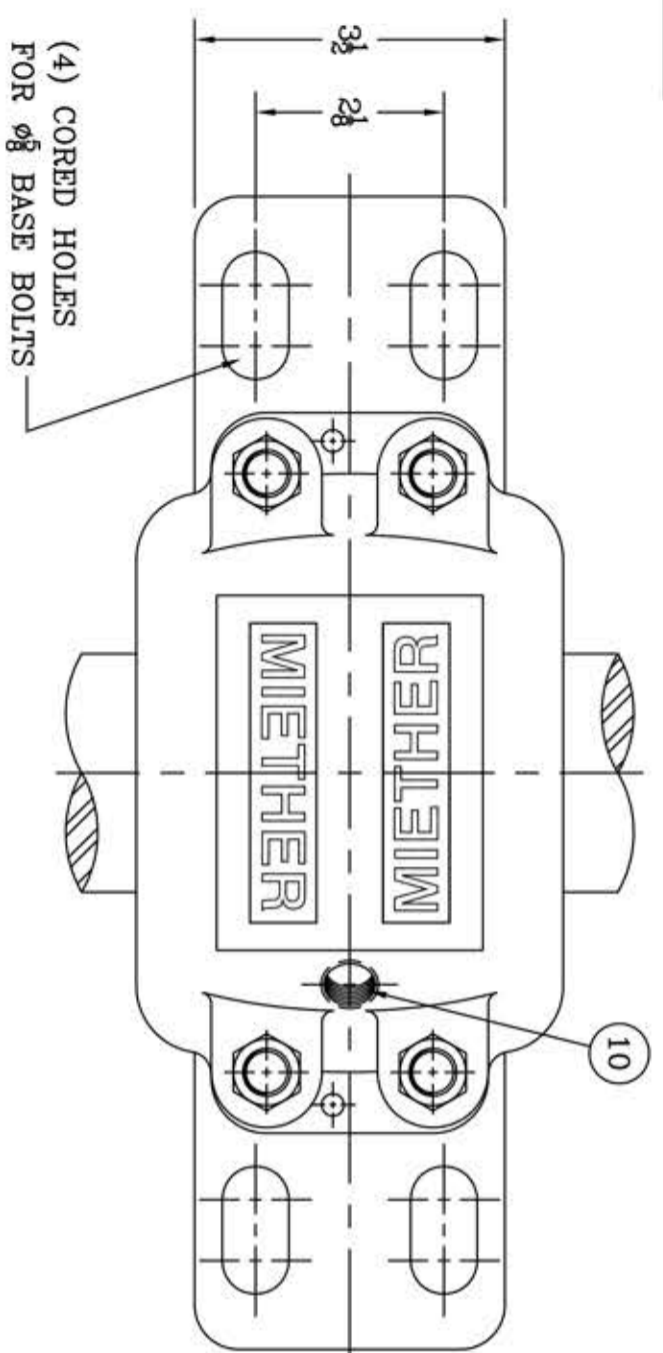
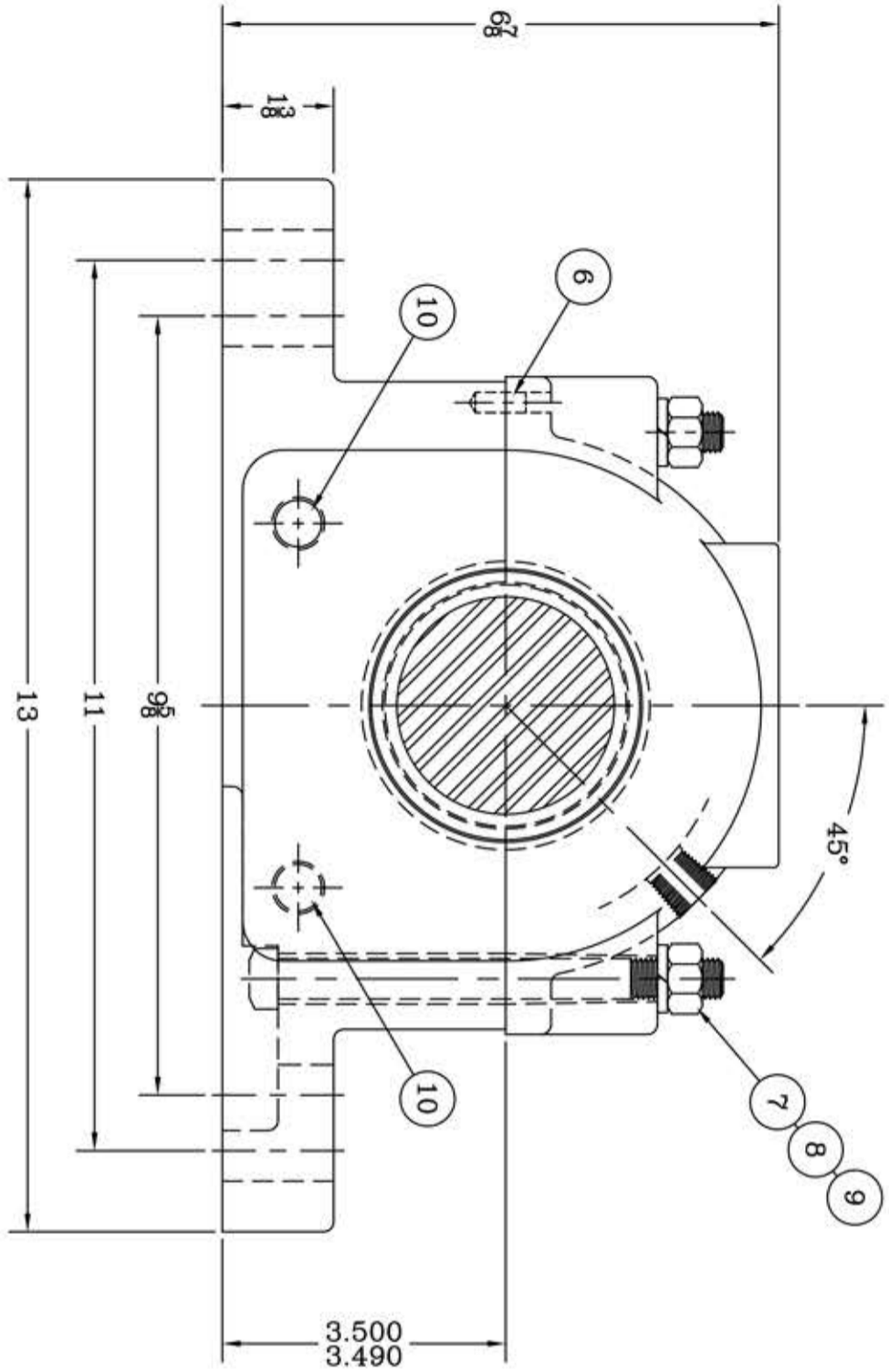


This drawing is the sole property of Miether Bearing Products and contains confidential and proprietary information. It is being provided to you for your use and may not be disclosed to any third party or used for any other purpose without Miether's prior written consent. The [materials] must be returned to the Company upon its demand. Your acceptance of these materials constitutes your acceptance of the foregoing terms.

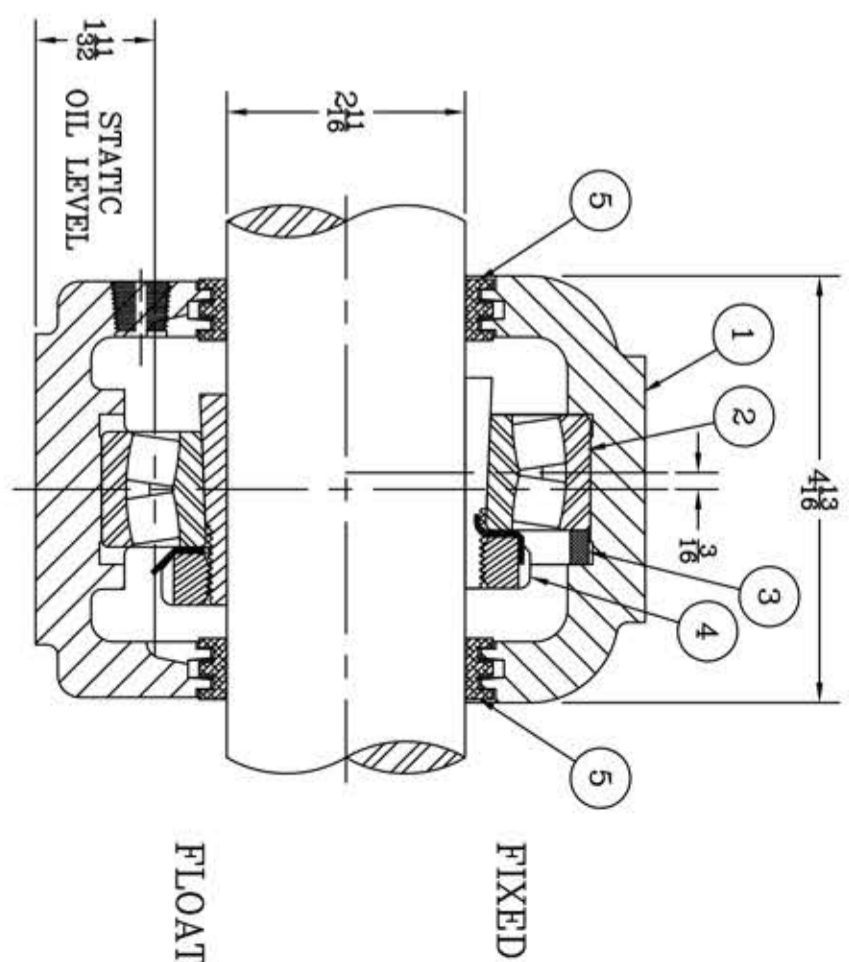
C-14010



(4) CORED HOLES FOR Ø 8 BASE BOLTS



ITEM	DESCRIPTION	DETAIL	REQUIRED
1	HOUSING FSAF 516 02-11	C-11882-R	1 1
2	SPHERICAL ROLLER BEARING	22216K/W33	1 1
3	STABILIZING RING SR-16-13	A-10599	1 0
4	ADAPTER SNW-16 02-11	B-24405	1 1
5	TRIPLE SEAL RING LER-44	A-11059	2 2
6	DOWEL	Ø 1/4 x 8 LONG	2 2
7	CAP BOLT SQUARE HEAD	1/2-13 NC x 5 1/2 LONG	4 4
8	CAP BOLT HEX. NUT	1/2-13 NC	4 4
9	LOCKWASHER	1/2 SPLIT MED.	4 4
10	PIPE PLUG	3/8-18 NPT	3 3



REDRAWN FOR CONFORMITY RWB per KAB 12-30-03
 REDRAWN ON COMPUTER OMI 7-10-01

REVISIONS

SYMBOL	VALUE	DESCRIPTION
✓	16	REVISIONS
∇	32	
∇	63	
∇	125	
∇	250	
∇	500	
∇	1000	

TOLERANCE: UNLESS OTHERWISE SPECIFIED
 FRACTIONS ± 1/32"
 DECIMALS ± .005"
 CASTING ± 1/16"
 WELD ± 1/16"
 ANGLES ± 0° 30'

A.I.S.I. STANDARD FINISHES

FSAF 22516 02-11
 ASSEMBLY DRAWING
 SCALE 1 = 1.5
 DRAWN CJ
 DATE 2/8/71
 ASSEMBLY NO.
 DRAWING NO. C-14010
 CHK.

