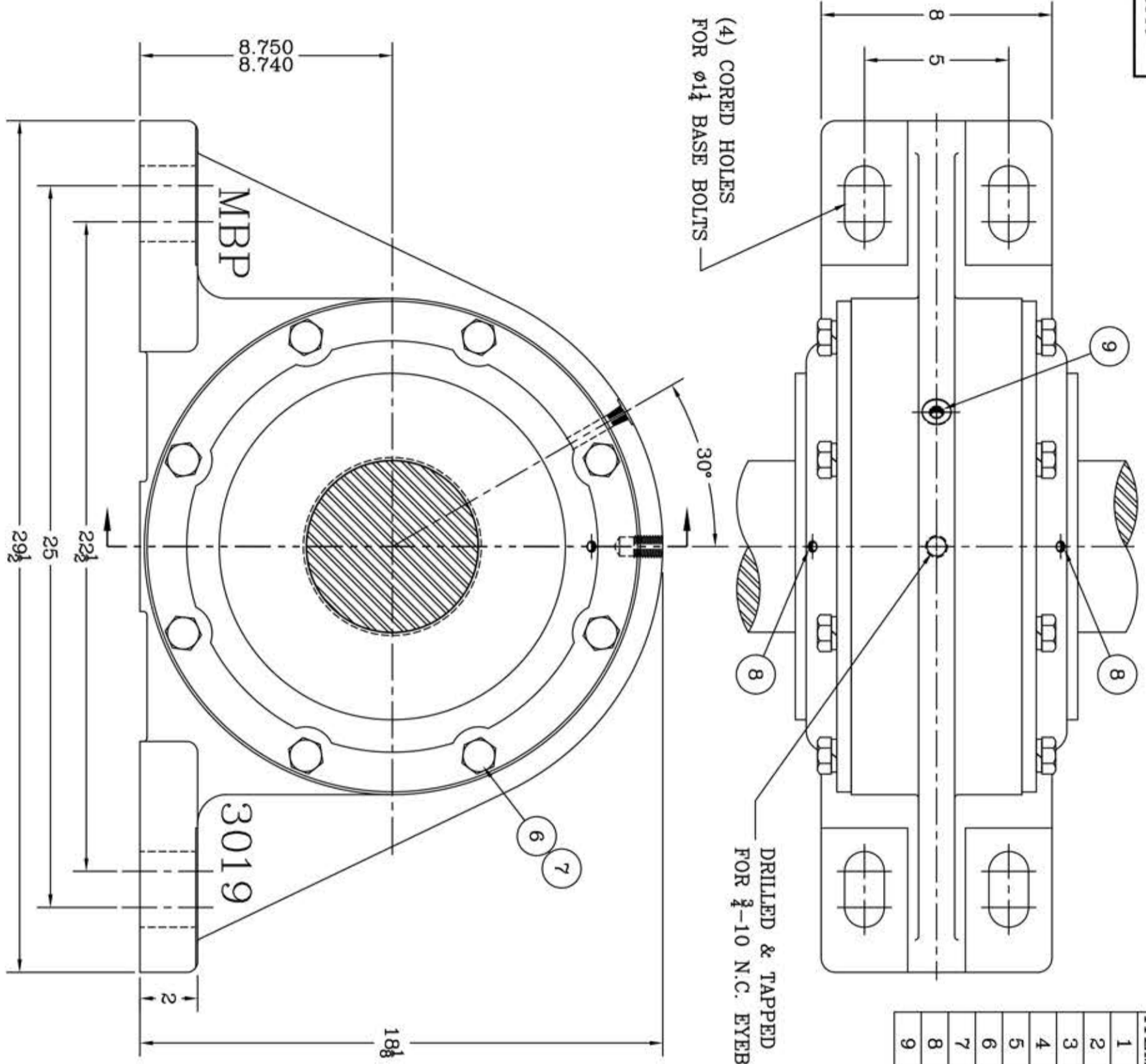
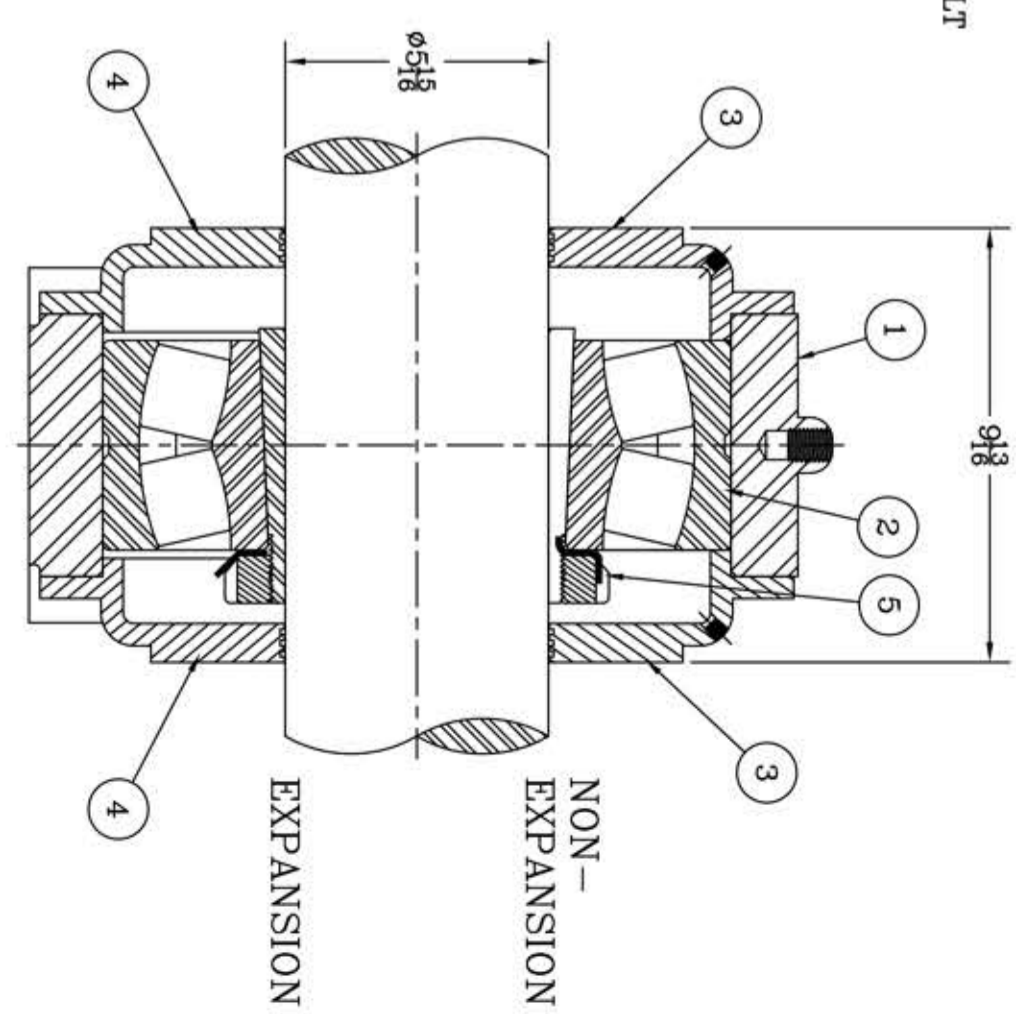


This drawing is the sole property of Miether Bearing Products and contains confidential and proprietary information. It is being provided to you for your use and may not be disclosed to any third party or used for any other purpose without Miether's prior written consent. The [materials] must be returned to the Company upon its demand. Your acceptance of these materials constitutes your acceptance of the foregoing terms.

C-18544



ITEM	DESCRIPTION	DETAIL	REQUIRED
1	HOUSING M-3019	C-22181	1 1
2	SPHERICAL ROLLER BEARING	22334K/W-33	1 1
3	ENDCAP F-3524 NEL	C-22930	2 0
4	ENDCAP F-3525 EL	C-22930	0 2
5	ADAPTER SNW-134 05-15	24472	1 1
6	CAP BOLT HEX. HEAD	3-10 NC x 1 1/2 LONG	16 16
7	LOCKWASHER	3 SPLIT MED.	16 16
8	PIPE PLUG	1-27 NPT	2 2
9	PIPE PLUG	1-18 NPT	1 1



REDRAWN ON COMPUTER  
RWB per KAB  
12-12-03

REVISIONS

SYMBOL	DESCRIPTION					
16	32	63	125	250	500	1000



MMW 22634 05-15	ASSEMBLY DRAWING
SCALE 1 = 3	ASSEMBLY NO.
DRAWN OMI	DRAWING NO.
DATE 10/29/93	CHEK: C-18544