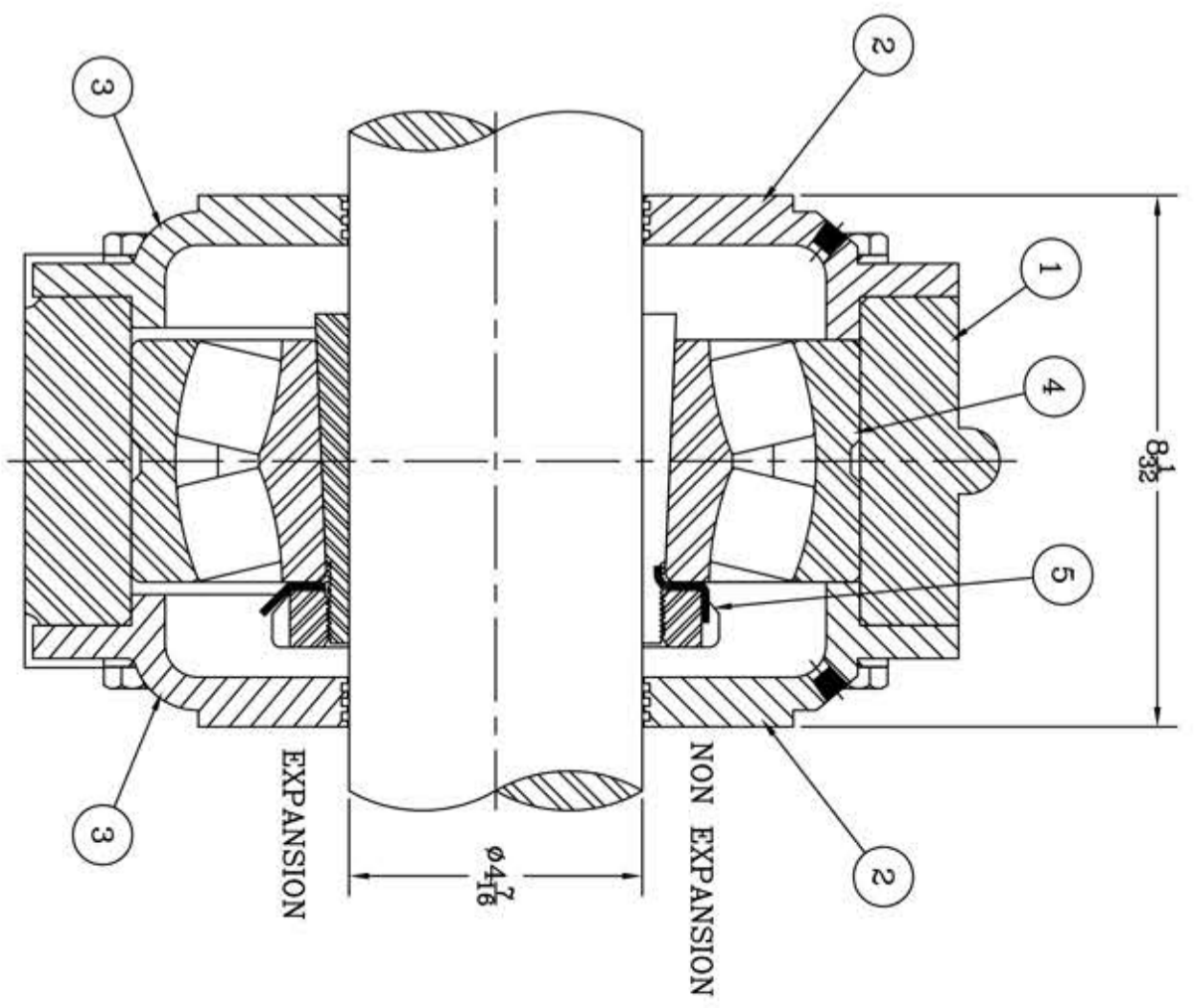
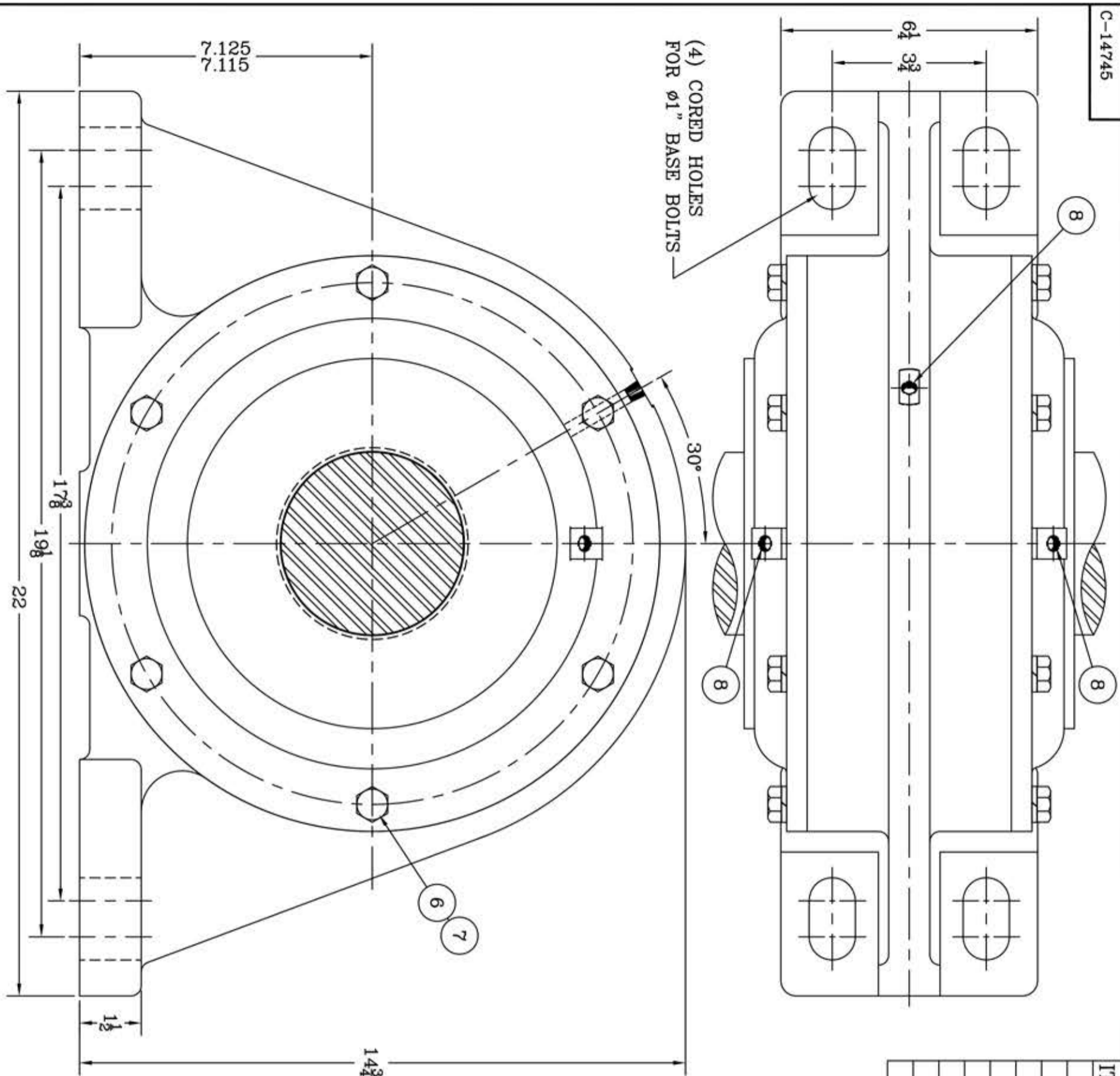


This drawing is the sole property of Miether Bearing Products and contains confidential and proprietary information. It is being provided to you for your use and may not be disclosed to any third party or used for any other purpose without Miether's prior written consent. The [materials] must be returned to the Company upon its demand. Your acceptance of these materials constitutes your acceptance of the foregoing terms.

C-14745



ITEM	DESCRIPTION	DETAIL	REQUIRED
			N EXP EXP.
1	HOUSING M3017	C-03017	1 1
2	ENDCAP F3468 NEL	C-22846	2 0
3	ENDCAP F3469 EL	C-22846	0 2
4	SPHERICAL ROLLER BEARING	22326K/W-33	1 1
5	ADAPTER SNW-26 04-07	24429	1 1
6	CAP BOLT HEX. HEAD	1-13 NC x 1 1/2 LONG	12 12
7	LOCKWASHER	1/2 SPLIT MED.	12 12
8	PIPE PLUG	1/2-27 NPT	3 3

REDRAWN ON COMPUTER
RWB per KAB
8-26-03

REVISIONS

SYMBOL	DESCRIPTION
C	CASTING
D	DECIMALS
E	ENDCAP
F	FRACTIONS
G	GEOMETRIC
J	JOURNAL
K	KEYWAY

TOLERANCE: UNLESS OTHERWISE SPECIFIED

FRACTIONS	DECIMALS	CASTING	ANGLES	WELD
+/- 1/32"	+/- .005"	+/- 1/16"	+/- 0° 30'	+/- 1/16"

AN ALCO INDUSTRIES COMPANY
ODESSA, TX. USA

MMW 22626 04-07
ASSEMBLY DRAWING

SCALE HALF
DRAWN CJ
DATE 12/15/71
CHK.

ASSEMBLY NO.
DRAWING NO. C-14745