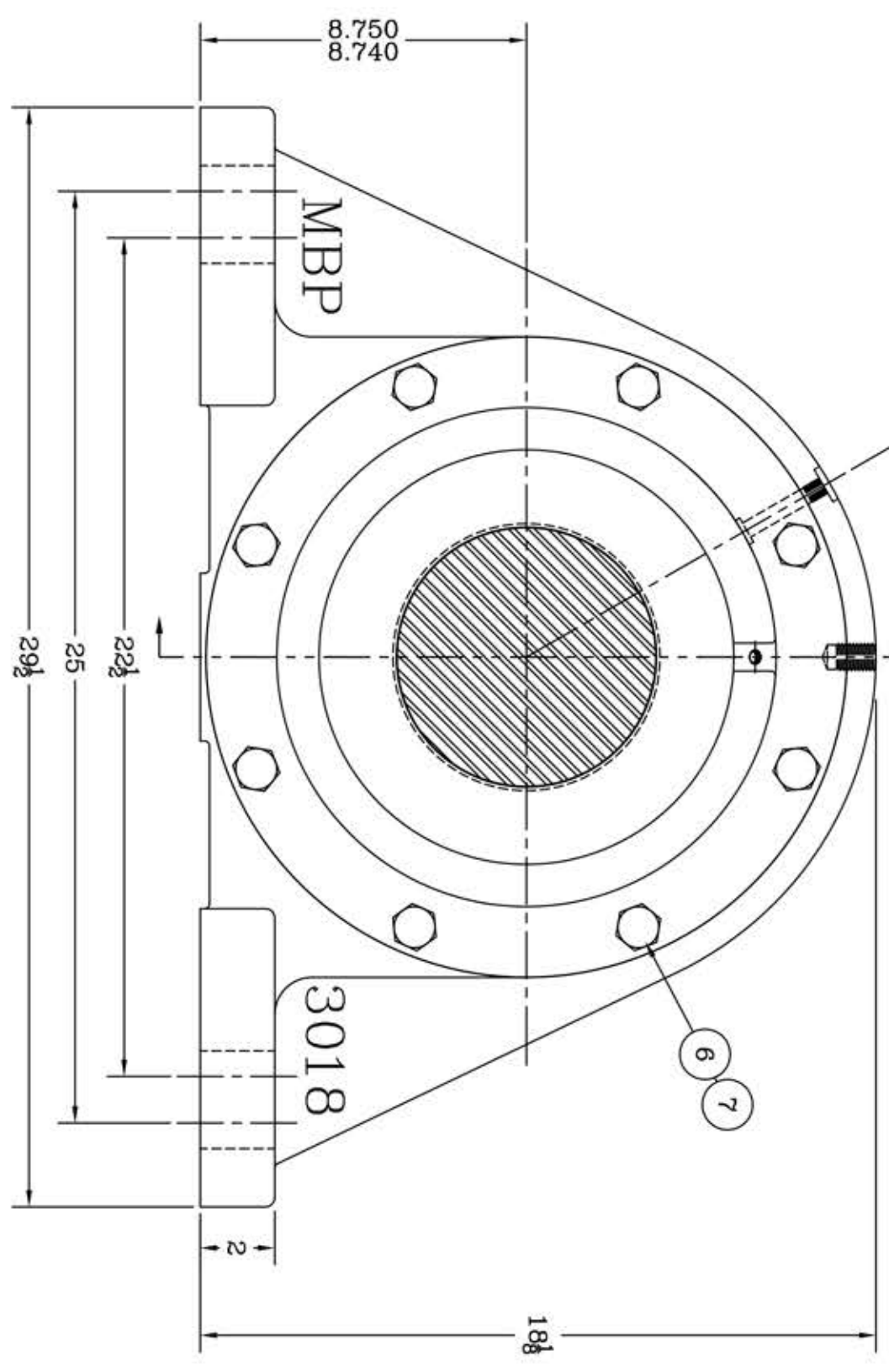
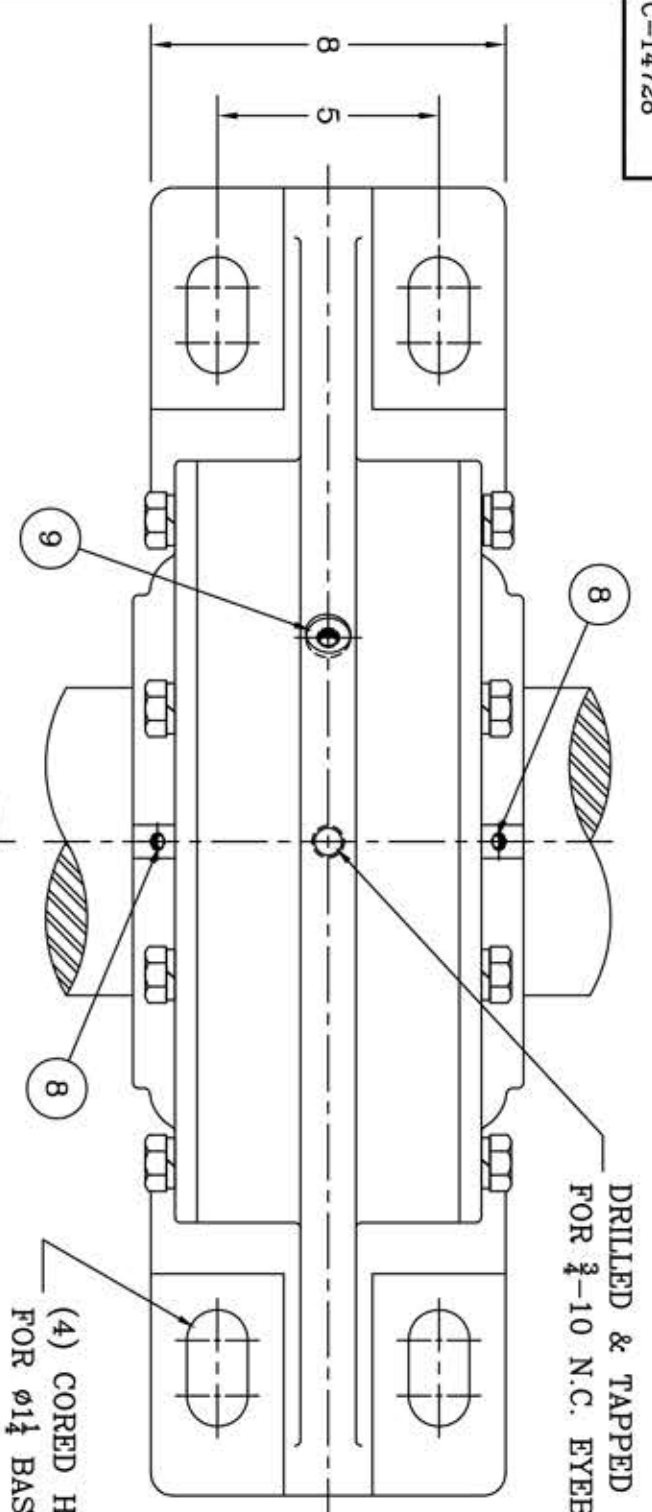
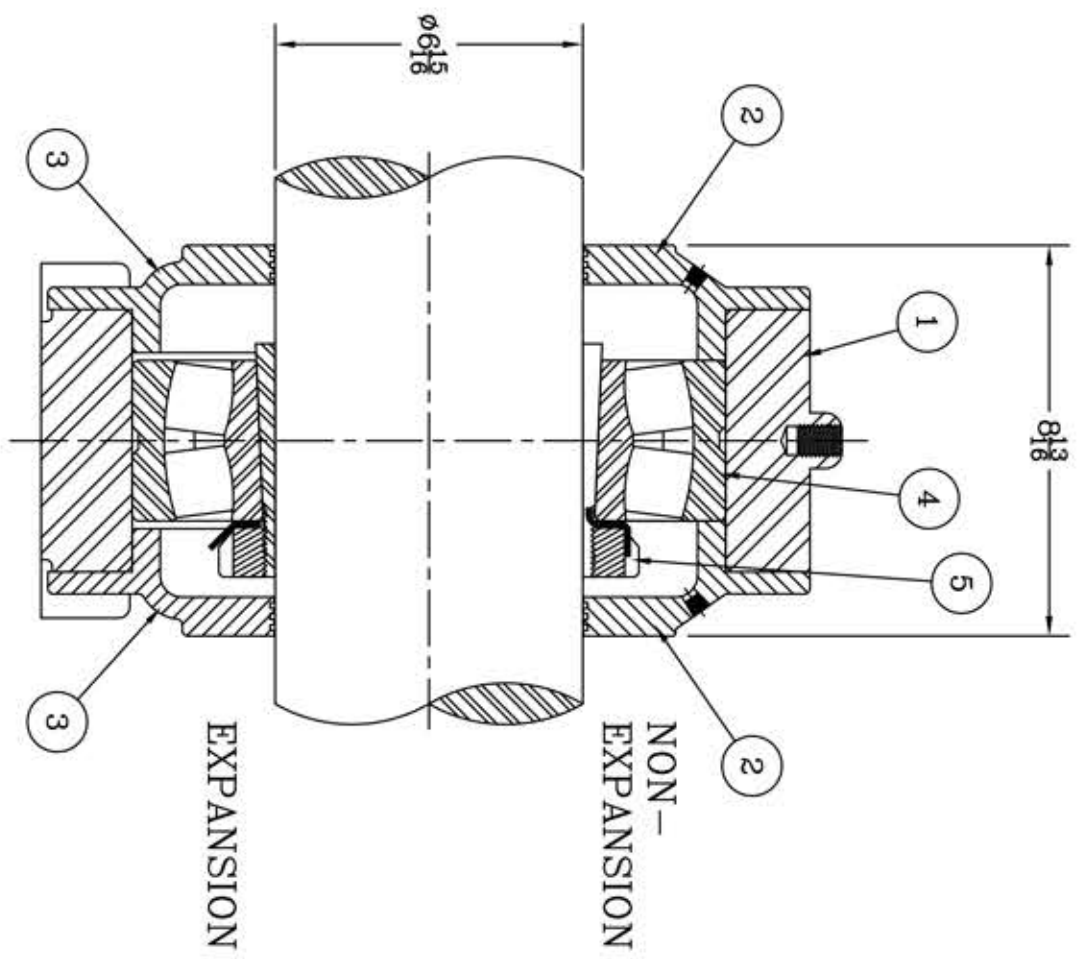


This drawing is the sole property of Miether Bearing Products and contains confidential and proprietary information. It is being provided to you for your use and may not be disclosed to any third party or used for any other purpose without Miether's prior written consent. The [materials] must be returned to the Company upon its demand. Your acceptance of these materials constitutes your acceptance of the foregoing terms.

C-14728



ITEM	DESCRIPTION	DETAIL	REQUIRED
1	HOUSING M3018	C-22177	1 1
2	ENDCAP F3192 NEL	C-22538	2 0
3	ENDCAP F3193 EL	C-22538	0 2
4	SPHERICAL ROLLER BEARING	22238K/W-33	1 1
5	ADAPTER SNW-38 06-15	17651	1 1
6	CAP BOLT HEX. HEAD	3/4-10 NC x 1 1/2 LONG	16 16
7	LOCKWASHER	3/4 SPLIT MED.	16 16
8	PIPE PLUG	1/2-27 NPT	2 2
9	PIPE PLUG	1/4-18 NPT	1 1



REDRAWN ON COMPUTER  
RWB per KAB  
7-8-03

REVISIONS

SYMBOL	VALUE	DESCRIPTION
C	16	REVISIONS
D	32	REVISIONS
E	63	REVISIONS
F	125	REVISIONS
G	250	REVISIONS
J	500	REVISIONS
K	1000	REVISIONS

TOLERANCE: UNLESS OTHERWISE SPECIFIED  
FRACTIONS +- 1/32" ANGLES +- 0° 30'  
DECIMALS +- .005" WELD +- 1/16"  
CASTING +- 1/16"

A.I.S.I. STANDARD FINISHES



MMW 22538 06-15	ASSEMBLY DRAWING
SCALE 1 = 3	ASSEMBLY NO.
DRAWN CJ	DRAWING NO.
DATE 9-14-71	CHK: C-14728