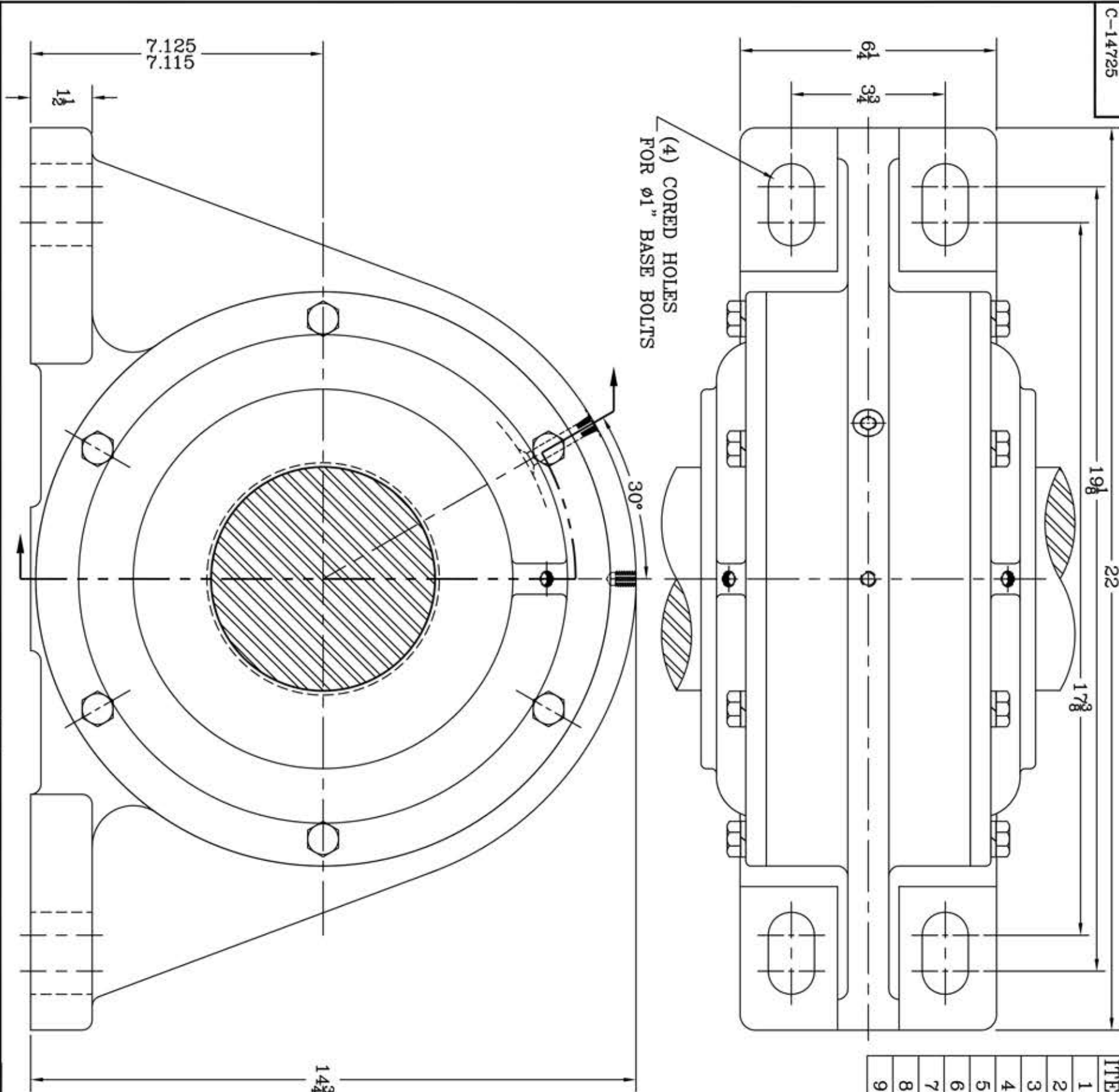
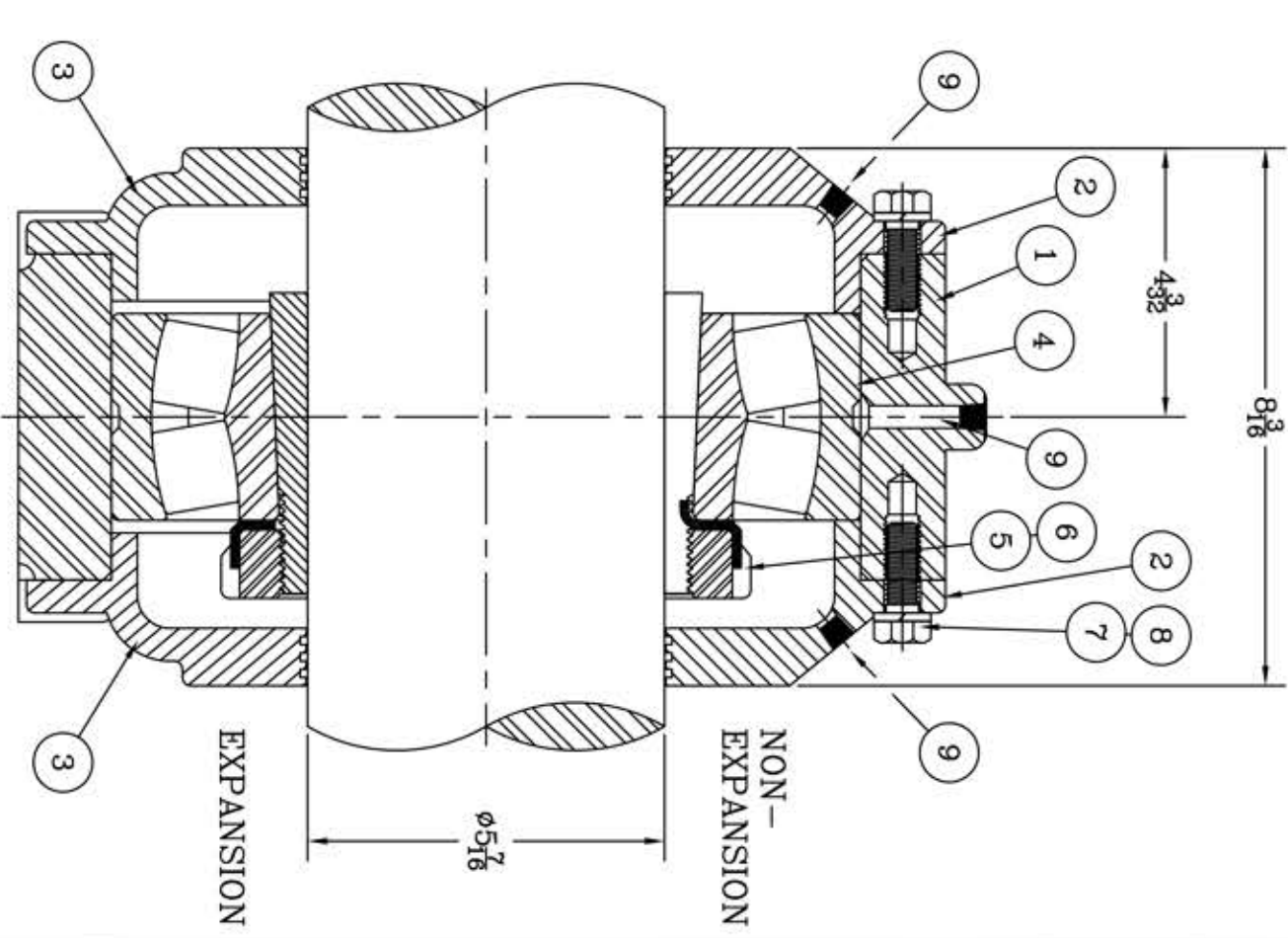


This drawing is the sole property of Miether Bearing Products and contains confidential and proprietary information. It is being provided to you for your use and may not be disclosed to any third party or used for any other purpose without Miether's prior written consent. The [materials] must be returned to the Company upon its demand. Your acceptance of these materials constitutes your acceptance of the foregoing terms.

C-14725



ITEM	DESCRIPTION	DETAIL	REQUIRED N	EXP EXP.
1	HOUSING M3005	C-03005	1	1
2	ENDCAP F3118 NEL	C-22390	2	0
3	ENDCAP F3119 EL	C-22390	0	2
4	SPHERICAL ROLLER BEARING	22232K/W-33	1	1
5	LOCKNUT AN-32	B-10420	1	1
6	LOCKWASHER W-32	00250	1	1
7	CAP BOLT HEX. HEAD	½-13 NC x 1 ½ LONG	12	12
8	LOCKWASHER	½ SPLIT MED.	12	12
9	PIPE PLUG	½-27 NPT	3	3



REDRAWN ON  
COMPUTER  
RWB per KAB  
6-27-03

REVISIONS

SYMBOL	DESCRIPTION
C	FRACCTIONS ± 1/32"
D	DECIMALS ± .005"
E	CASTING ± 1/16"
F	WELD ± 1/16"
G	ANGLES ± 0° 30'
J	ANGLES ± 0° 30'
K	WELD ± 1/16"

TOLERANCE: UNLESS OTHERWISE SPECIFIED

A.S.I. STANDARD FINISHES

AN ALCO INDUSTRIES COMPANY

BEARING PRODUCTS

ODessa, TX, USA

MMW 22532 05-07

ASSEMBLY DRAWING

SCALE HALF

DRAWN CJ

DATE 9-27-71

CHK:

ASSEMBLY NO.

DRAWING NO.

C-14725