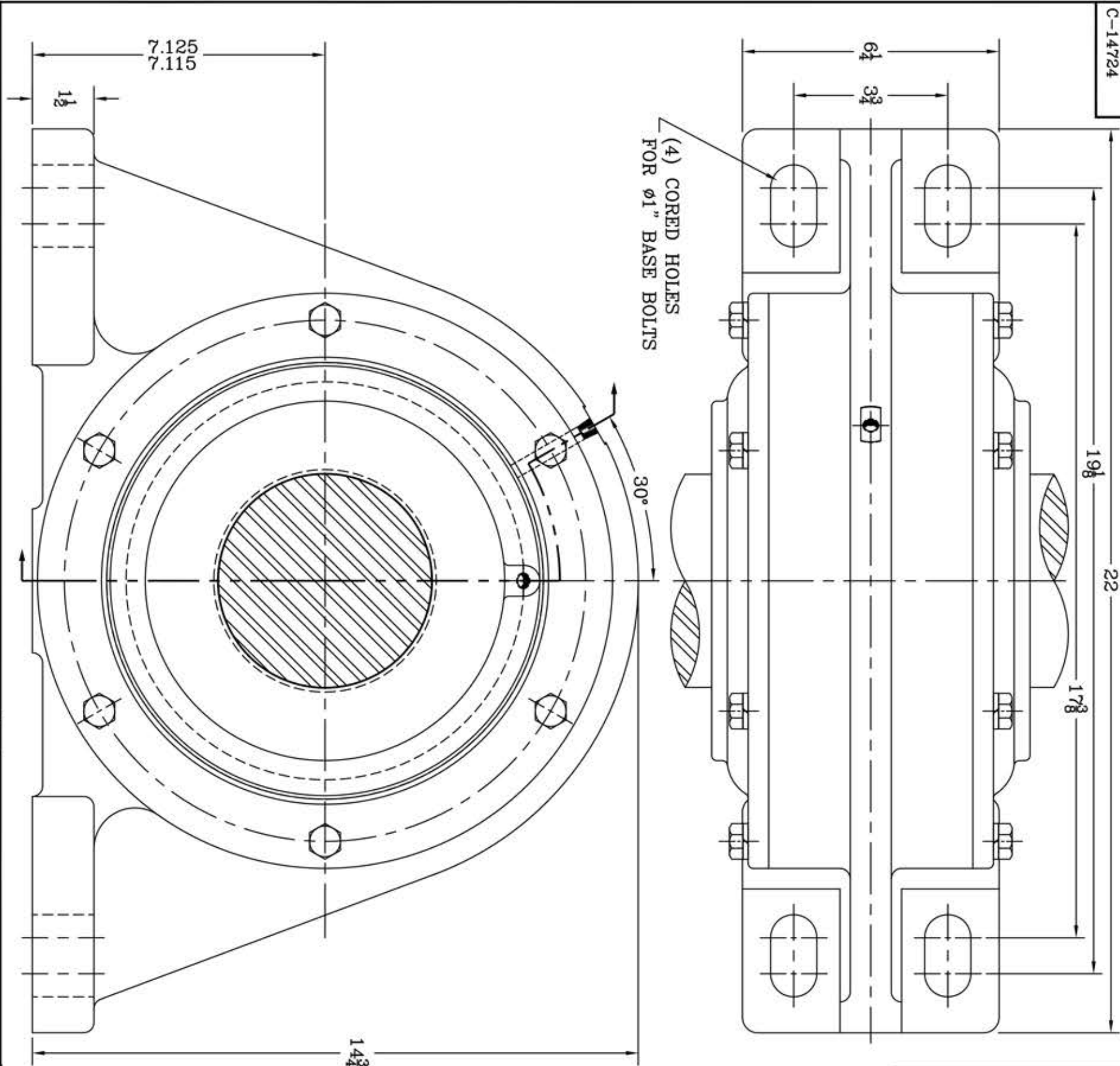
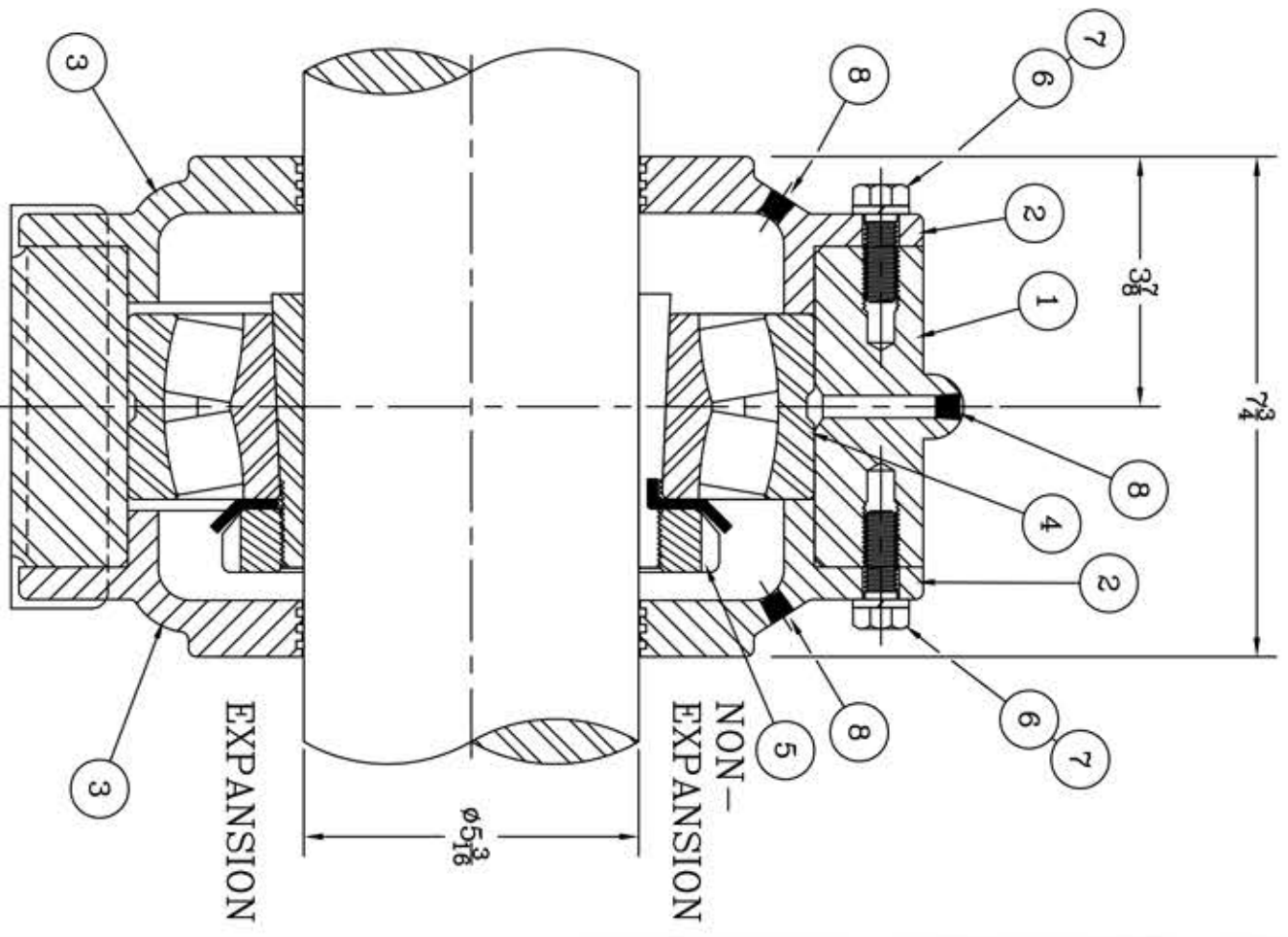


This drawing is the sole property of Miether Bearing Products and contains confidential and proprietary information. It is being provided to you for your use and may not be disclosed to any third party or used for any other purpose without Miether's prior written consent. The [materials] must be returned to the Company upon its demand. Your acceptance of these materials constitutes your acceptance of the foregoing terms.

C-14724



ITEM	DESCRIPTION	DETAIL	REQUIRED N	EXP	EXP.
1	HOUSING M3006	C-22148	1	1	1
2	ENDCAP F3104 NEL	C-22366	2	0	0
3	ENDCAP F3105 EL	C-22366	0	2	2
4	SPHERICAL ROLLER BEARING	22230K/W-33	1	1	1
5	ADAPTER SNW-30 05-03	24440	1	1	1
6	CAP BOLT HEX. HEAD	1/2-13 NC x 1 1/2 LONG	12	12	12
7	LOCKWASHER	1/2 SPLIT MED.	12	12	12
8	PIPE PLUG	1/2-27 NPT	3	3	3



REDRAWN ON COMPUTER
RWB per KAB
6-26-03

REVISIONS

SYMBOL	DESCRIPTION
C	FRACCTIONS +- 1/32"
D	DECIMALS +- .005"
E	CASTING +- 1/16"
F	WELD +- 1/16"
G	ANGLES +- 0°-30°
J	ANGLES +- 0°-30°
K	WELD +- 1/16"

TOLERANCE: UNLESS OTHERWISE SPECIFIED

MICRO-INCH VALUE	ANGLE	WELD
16	32	63
32	63	125
63	125	250
125	250	500
250	500	1000

AN ALCO INDUSTRIES COMPANY
BEARING PRODUCTS
ODESSA, TX. USA

MMW 22530 05-03
ASSEMBLY DRAWING

SCALE HALF
DRAWN CJ
DATE 11-29-71
CHK:

ASSEMBLY NO.
DRAWING NO. C-14724