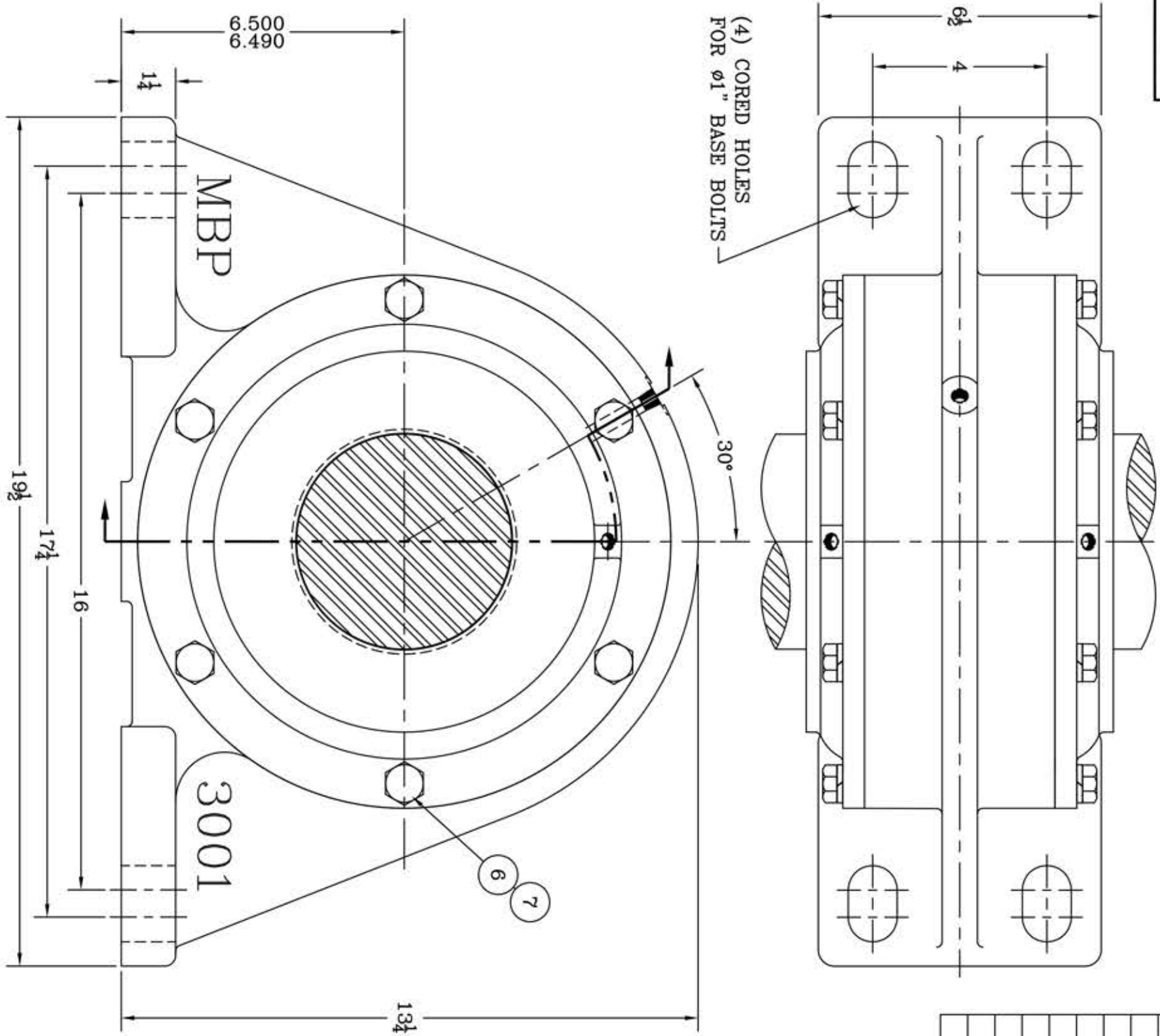
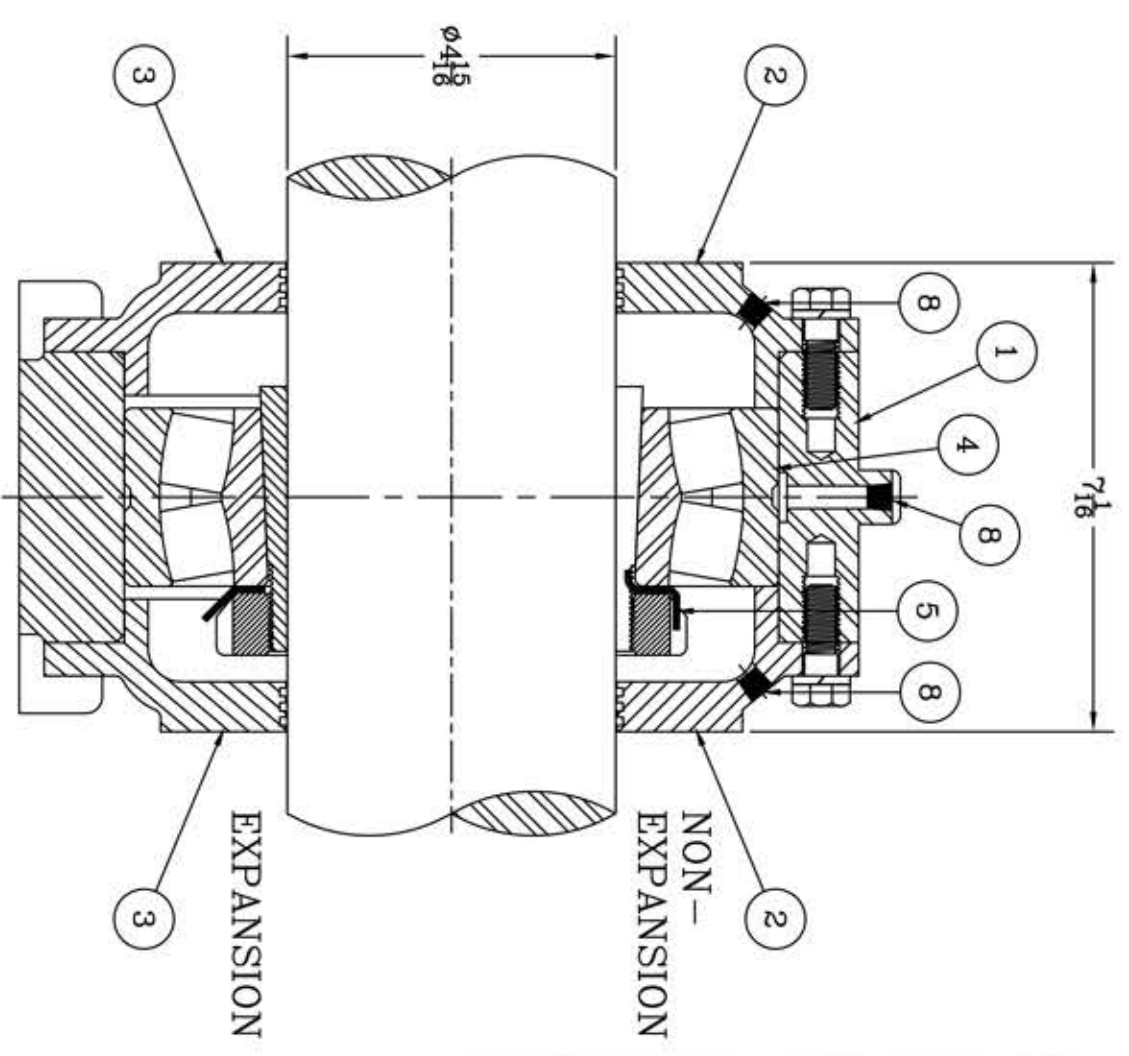


This drawing is the sole property of Miether Bearing Products and contains confidential and proprietary information. It is being provided to you for your use and may not be disclosed to any third party or used for any other purpose without Miether's prior written consent. The [materials] must be returned to the Company upon its demand. Your acceptance of these materials constitutes your acceptance of the foregoing terms.

C-14723



ITEM	DESCRIPTION	DETAIL	REQUIRED
			N EXP   EXP.
1	HOUSING M3001	C-22123	1   1
2	ENDCAP F3020 NEL	C-22186	2   0
3	ENDCAP F3021 EL	C-22186	0   2
4	SPHERICAL ROLLER BEARING	22228K/W-33	1   1
5	ADAPTER SNW-28 04-15	2	1   1
6	CAP BOLT HEX. HEAD	1/2-13 NC x 1 1/2 LONG	12   12
7	LOCKWASHER	1/2 SPLIT MED.	12   12
8	PIPE PLUG	1/2-27 NPT	3   3



REDRAWN FOR CONFORMITY  
RWB per KAB  
6-18-03

REDRAWN ON COMPUTER by  
OMI 11-13-01

REVISIONS

SYMBOL	DESCRIPTION
C	16
D	32
E	63
F	125
G	250
J	500
K	1000

TOLERANCE: UNLESS OTHERWISE SPECIFIED

FRACTIONS +- 1/32" ANGLES +- 0° 30'

DECIMALS +- .005" WELD +- 1/16"

CASTING +- 1/16"

A.S.I. STANDARD FINISHES

AN ALCO INDUSTRIES COMPANY  
BEARING PRODUCTS  
ODESSA, TX. USA

MMW 22528 04-15	ASSEMBLY DRAWING
SCALE HALF	ASSEMBLY NO.
DRAWN CJ	DRAWING NO.
DATE 9-27-71	C-14723
CHK:	